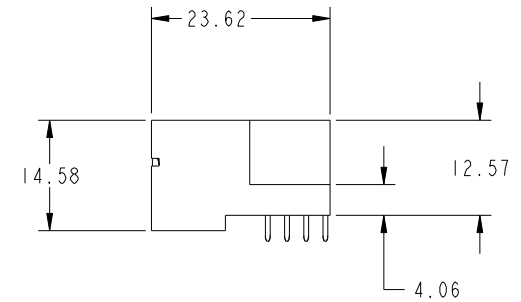
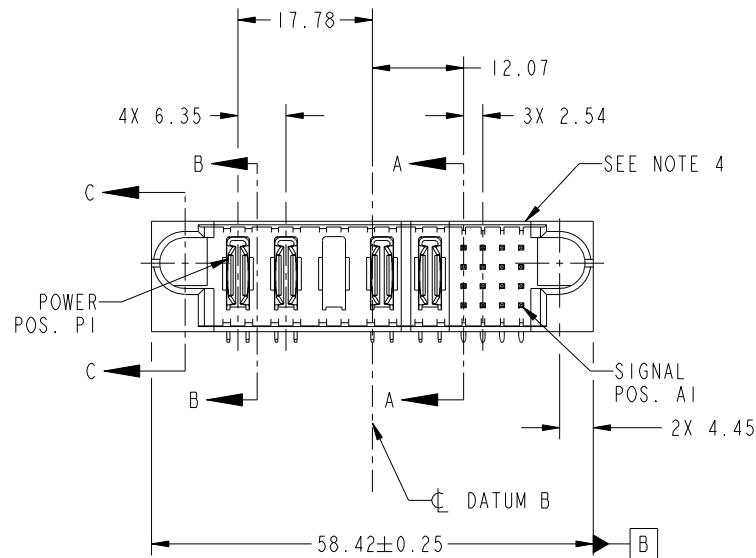


PRODUCT NO.	ROWS	POWER					SIGNAL					
		E1	P1	P2	P3	P4	P5	1	2	3	4	E2
51732-071-- NOTE 3	D C B A		PA	PA	X	PA	PA	HHHH	GGGG	FFFF	EEEE	

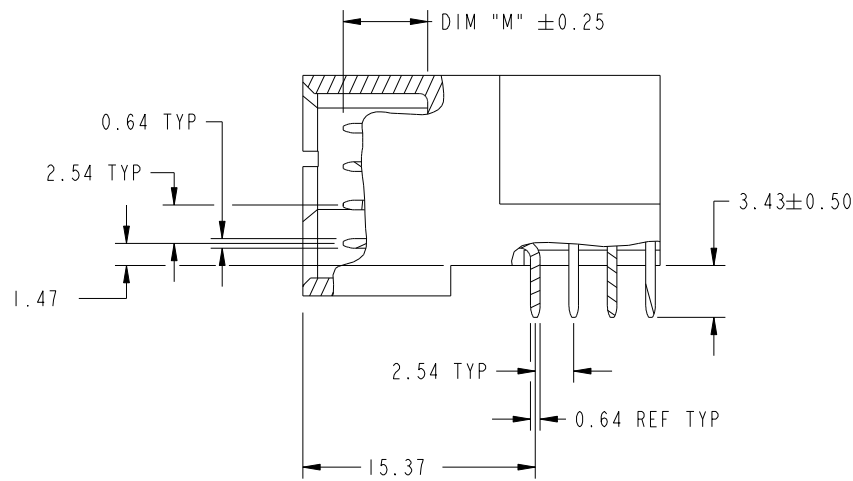


CODE	DIM "M" MATING LENGTH	CONTACT TYPE
PA	[N/A]	POWER
J	[4.32]	SIGNAL
K	[4.32]	SIGNAL
E	[5.59]	SIGNAL
F	[5.59]	SIGNAL
G	[5.59]	SIGNAL
H	[5.59]	SIGNAL
X	OMITTED	OMITTED

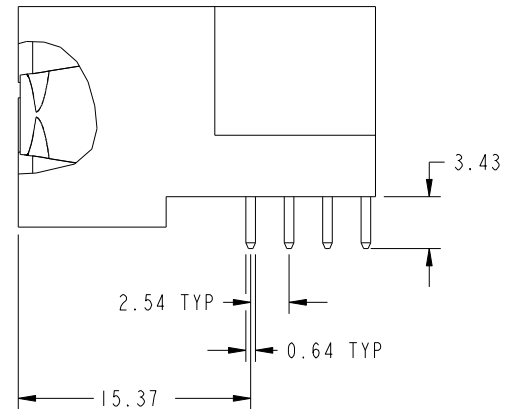
spec ref	SEE NOTE		dr	XQ Wang	2011/08/10	projection 	MM ←→	size	A4	scale	1:1
tolerance std	TOLERANCES UNLESS OTHERWISE SPECIFIED		eng	Anson Liu	2011/08/10			ecn no			
SEE NOTE			chr	PM ZHENG	2011/08/10			rel level	Released		
surface	linear	0.X ±0.5	appr	JOSEPH HSIA	2011/08/10	product family	PwrBlade		rev	A	
		0.XX ±0.25			title		5P + 16S		dwg no	51732-071	
		0.XXX ±0.1	www.fci.com		RIGHT ANGLE SOLDER HEADER						
	angular	0° ±2°	cat. no.		Product - Customer Drw		sheet 1 of 4				

PRODUCT NUMBER

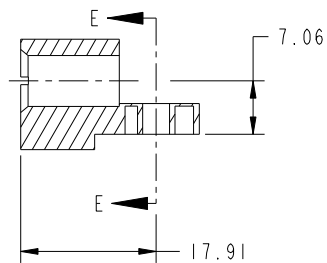
51732-071__
NOTE: 3



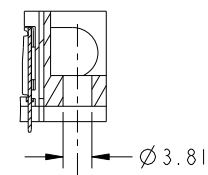
BROKEN-OUT SECTION A-A
SCALE 2:1



BROKEN-OUT SECTION B-B
SCALE 2:1



SECTION C-C

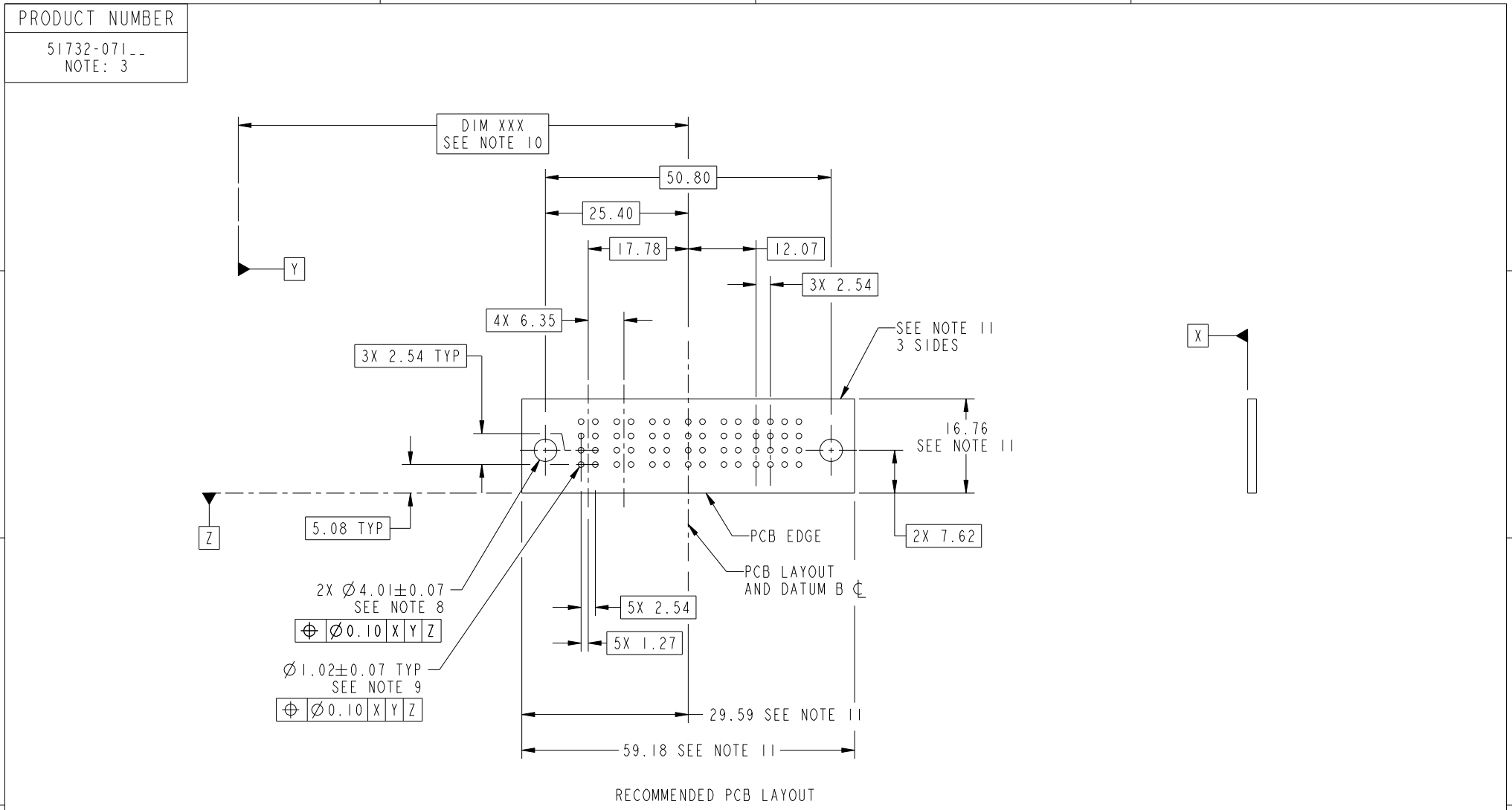


PARTIAL SECTION E-E

spec ref	SEE NOTE			dr	XQ Wang	2011/08/10	projection 	MM ←————→	size	A4	scale	1:1
tolerance std	TOLERANCES UNLESS OTHERWISE SPECIFIED			eng	Anson Liu	2011/08/10			ecn no			
SEE NOTE				chr	PM ZHENG	2011/08/10						
				appr	JOSEPH HSIA	2011/08/10	product family	PwrBlade	rel level	Released		
surface ✓	linear	0.X	±0.5		title	5P + 16S		dwg no	51732-071		rev	A
		0.XX	±0.25			RIGHT ANGLE SOLDER HEADER						
	angular	0°	±2°			www.fci.com	cat. no.		Product - Customer Drw			sheet 2 of 4



Copyright FCI.



spec ref	SEE NOTE			dr	XQ Wang	2011/08/10	projection 	MM ←→	size	A4	scale	1:1
tolerance std	TOLERANCES UNLESS OTHERWISE SPECIFIED			eng	Anson Liu	2011/08/10			ecn no	rel level	Released	
SEE NOTE				chr	PM ZHENG	2011/08/10						
surface	linear	0.X	±0.5	appr	JOSEPH HSIA	2011/08/10	product family	PwrBlade		rev	A	
		0.XX	±0.25				title	5P + 16S		dwg no	51732-071	
		0.XXX	±0.1				www.fci.com	cat. no.	Product - Customer Drw			sheet 3 of 4
	angular	0°	±2°									

PrdrE File - REV C - 2009-06-09

PRODUCT NUMBER
51732-071--
NOTE: 3

NOTES:

1. DIMENSIONS AND TOLERANCES ARE IN ACCORDANCE WITH ASME Y14.5M, 1994 UNLESS OTHERWISE SPECIFIED.

CONNECTOR NOTES:

- 2. HOUSING MATERIAL: UL 94 V-0 GLASS FILLED HIGH-TEMP THERMOPLASTIC
POWER CONTACT MATERIAL: COPPER ALLOY
SIGNAL PIN MATERIAL: COPPER ALLOY
- 3. SEE ITEM 1 & 2 IN PRINT 10064183 FOR PLATING SPEC OF 51732-071 AND 51732-071LF RESPECTIVELY.
- 4. MANUFACTURER'S NAME, DATE CODE AND OPTIONAL P/N TO APPEAR ON THIS SURFACE. THE P/N CAN BE OMITTED IF THERE IS NOT ENOUGH SPACE ON THIS SURFACE.
- 5. PRODUCT SPECIFICATION GS-12-149.
APPLICATION SPECIFICATION BUS-20-067.
- 6. PACKAGED IN TRAYS.

PCB NOTES:

- 7. ALL HOLE DIAMETERS ARE FINISHED HOLE SIZE.
- 8. MOUNTING HOLES, WHERE APPLICABLE, ARE UNPLATED.
- 9. $\varnothing 1.151 \pm 0.025$ DRILLED HOLES PLATED WITH
0.008 MIN SnPb OR Sn OVER 0.03
TO 0.08 Cu PLATING TO ACHIEVE
 $\varnothing 1.02 \pm 0.07$ HOLE.
- 10. "DIM XXX" TO BE DETERMINED BY THE CUSTOMER.
- 11. CONNECTOR KEEP-OUT ZONE.



spec ref		SEE NOTE		dr	XQ Wang	2011/08/10	projection 	MM 	size	A4	scale	1:1
tolerance std		TOLERANCES UNLESS OTHERWISE SPECIFIED		eng	Anson Liu	2011/08/10			ecn no	rel level	Released	
SEE NOTE				chr	PM ZHENG	2011/08/10						
				appr	JOSEPH HSIA	2011/08/10	product family	PwrBlade				
surface <input checked="" type="checkbox"/>	linear	0.X	± 0.5		title	5P + 16S		dwg no	51732-071		rev	A
		0.XX	± 0.25			RIGHT ANGLE SOLDER HEADER						
		0.XXX	± 0.1									
	angular	0°	$\pm 2^\circ$	www.fci.com	cat. no.	Product - Customer Drw			sheet 4 of 4			

ProdE File - REV C - 2009-06-09

A

A

B

B

C

C

D

D