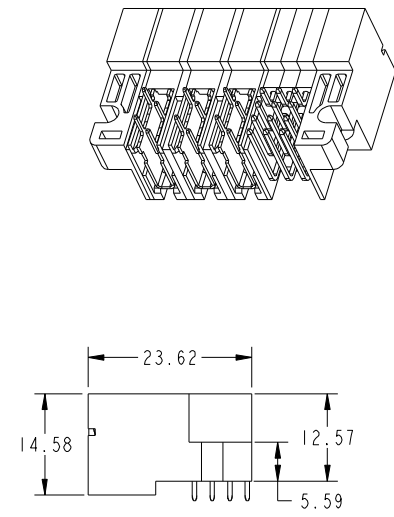
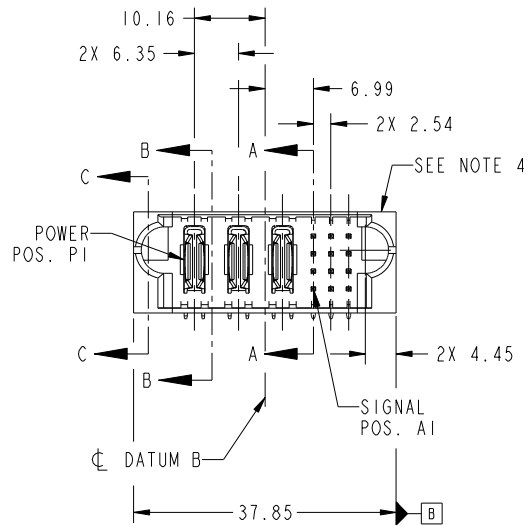
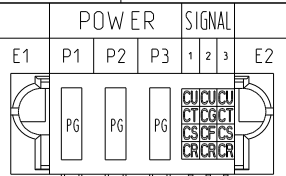


Tous droits strictement reserves. Reproduction ou communication a des tiers interdite sous quelque forme que ce soit sans autorisation écrite du propriétaire. Propriete de c FCI. Droits de reproduction FCI.



All rights strictly reserved. Reproduction or issue to third parties in any form whatever is not permitted without written authority from the proprietor. Property of FCI. Copyright FCI.

PRODUCT NO.	ROWS
51732-062... NOTE 3	D C B A



CODE	DIM "M" MATING LENGTH	CONTACT TYPE
PG	[N/A]	POWER
CR	[6.86]	SIGNAL
CS	[6.86]	SIGNAL
CT	[6.86]	SIGNAL
CU	[6.86]	SIGNAL
CG	[5.59]	SIGNAL
CF	[5.59]	SIGNAL

mat'l code				SEE NOTE		tolerances unless otherwise specified		CUSTOMER	
ltr	ecn no.	dr	date	linear	0.X ±0.5	COPY		FCI	
A	DG10-0239	WD	06/25/10	angles	0.XX ±0.25	projection		www.fciconnect.com	
					0.XXX ±0.1	MIM		title	
				dr	0° ±2°	scale		3P + 12S	
				enr	Warren Du 04/26/10	1:1		RIGHT ANGLE SOLDER HEADER	
				chr	Warren Du 04/26/10			product family	
				appd	PM Zheng 04/26/10			PwrBlade	
					Joseph Hsia 04/26/10			code	
sheet index	revision sheet	A	A	A	A			size	
		1	2	3	4			dwg no	
								213	
								sheet	
								1 of 4	

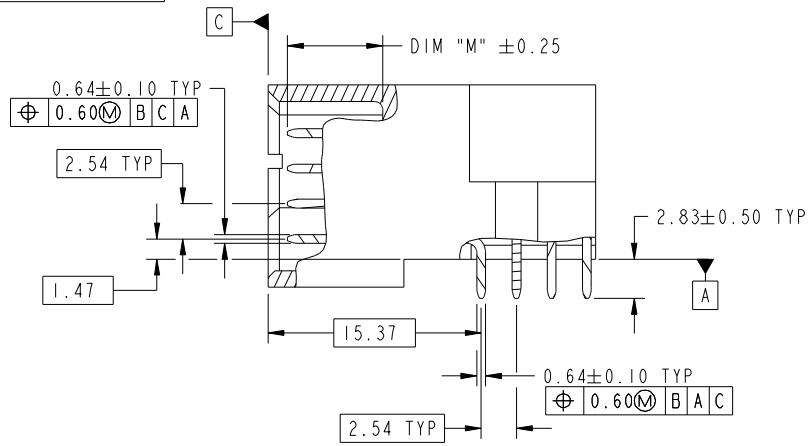
cage code 22526

Tous droits strictement reserves. Reproduction ou communication a des tiers interdite sous quelque forme que ce soit sans autorisation écrite du propriétaire. Propriete de c FCI. Droits de reproduction FCI.

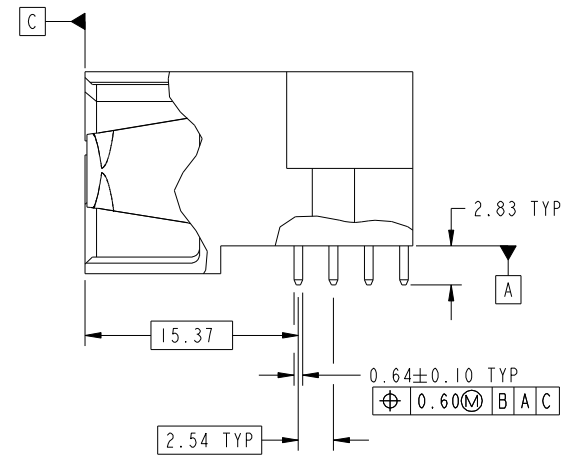
All rights strictly reserved. Reproduction or issue to third parties in any form whatever is not permitted without written authority from the proprietor. Property of FCI. Copyright FCI.



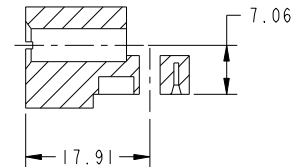
PRODUCT NUMBER
51732-062__
NOTE: 3



BROKEN-OUT SECTION A-A
SCALE 2:1



BROKEN-OUT SECTION B-B
SCALE 2:1



SECTION C-C

mat'l code				SEE NOTE	tolerances unless otherwise specified		CUSTOMER		FCI	
ltr	ecn no.	dr	date	linear	0.X ± 0.5	COPY		www.fciconnect.com		
A				linear	0.XX ± 0.25	projection		title		
				angles	0.XXX ± 0.1			3P + 12S RIGHT ANGLE SOLDER HEADER		
				dr	0° ± 2°			product family		code
				enr	Warren Du 04/26/10	scale		PwrBlade		213
				chr	Warren Du 04/26/10	1:1		size		sheet
				appd	PM Zheng 04/26/10			dwg no		2 of 4
					Joseph Hsia 04/26/10			A		
sheet index		revision sheet						51732-062		

cage code 22526

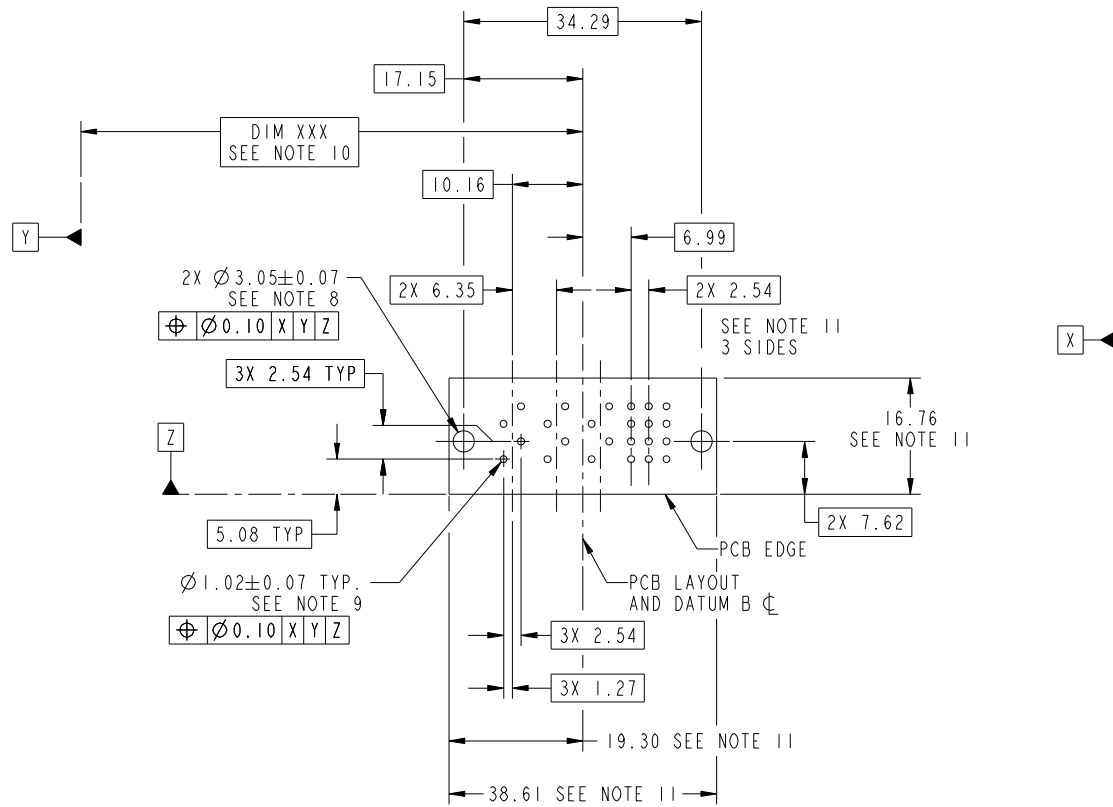
Pro/E

Tous droits strictement reserves. Reproduction ou communication a des tiers interdite sous quelque forme que ce soit sans autorisation écrite du propriétaire. Propriete de c FCI. Droits de reproduction FCI.

All rights strictly reserved. Reproduction or issue to third parties in any form whatever is not permitted without written authority from the proprietor. Property of FCI. Copyright FCI.



PRODUCT NUMBER
51732-062__
NOTE: 3



RECOMMENDED PCB LAYOUT

mat'l code		SEE NOTE		tolerances unless otherwise specified		CUSTOMER		 www.fciconnect.com	
ltr	ecn no.	dr	date	linear	0.X ± 0.5	COPY		title	
A					0.XX ± 0.25	projection		3P + 12S	
				angles	0.XXX ± 0.1			RIGHT ANGLE SOLDER HEADER	
					0° ± 2°			product family PwrBlade code	
		dr	Warren Du	04/26/10		scale		size	
		enr	Warren Du	04/26/10		1:1		dwg no	
		chr	PM Zheng	04/26/10		A		51732-062	
		appd	Joseph Hsia	04/26/10				sheet	
sheet index		revision sheet						3 of 4	

cage code 22526

Pro/E

Tous droits strictement reserves. Reproduction ou communication a des tiers interdite sous quelque forme que ce soit sans autorisation écrite du propriétaire. Propriete de c FCI. Droits de reproduction FCI.



All rights strictly reserved. Reproduction or issue to third parties in any form whatever is not permitted without written authority from the proprietor. Property of FCI. Copyright FCI.

PRODUCT NUMBER
51732-062--
NOTE: 3

NOTES:

1. DIMENSIONS AND TOLERANCES ARE IN ACCORDANCE WITH ASME Y14.5M, 1994 UNLESS OTHERWISE SPECIFIED.

CONNECTOR NOTES:

- 2. HOUSING MATERIAL: UL 94 V-0 GLASS FILLED HIGH-TEMP THERMOPLASTIC
POWER CONTACT MATERIAL: COPPER ALLOY
SIGNAL PIN MATERIAL: COPPER ALLOY
- 3. SEE ITEM 1 & 2 IN PRINT 10064183 FOR PLATING SPEC OF 51732-062 AND 51732-062LF RESPECTIVELY
- 4. MANUFACTURER'S NAME, DATE CODE AND OPTIONAL P/N TO APPEAR ON THIS SURFACE. THE P/N CAN BE OMITTED IF THERE IS NOT ENOUGH SPACE ON THIS SURFACE.
- 5. PRODUCT SPECIFICATION GS-12-149.
APPLICATION SPECIFICATION BUS-20-067.
- 6. PACKAGED IN TRAYS.

PCB NOTES:

- 7. ALL HOLE DIAMETERS ARE FINISHED HOLE SIZE.
- 8. MOUNTING HOLES, WHERE APPLICABLE, ARE UNPLATED.
- 9. $\varnothing 1.151 \pm 0.025$ DRILLED HOLES PLATED WITH
0.008 MIN SnPb OR Sn OVER 0.03
TO 0.08 Cu PLATING TO ACHIEVE
 $\varnothing 1.02 \pm 0.07$ HOLE.
- 10. "DIM XXX" TO BE DETERMINED BY THE CUSTOMER.
- 11. CONNECTOR KEEP-OUT ZONE.

mat'l code		SEE NOTE		tolerances unless otherwise specified		CUSTOMER		FCI	
ltr	ecn no.	dr	date	linear	0.X ± 0.5	COPY		www.fciconnect.com	
A				linear	0.XX ± 0.25	projection		title	
				angles	0.XXX ± 0.1			3P + 12S RIGHT ANGLE SOLDER HEADER	
				dr	Warren Du 04/26/10	MIM		product family	PwrBlade
				enr	Warren Du 04/26/10	scale	1:1	size	dwg no
				chr	PM Zheng 04/26/10	A		51732-062	
				appd	Joseph Hsia 04/26/10			code	213
sheet index	revision sheet							sheet	4 of 4

cage code 22526

Pro/E