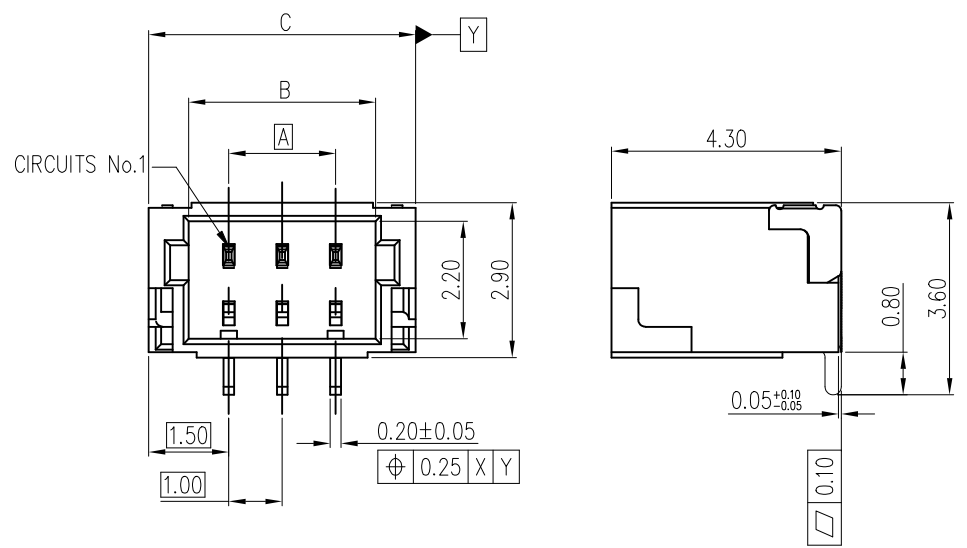


RECOMMENDED PCB LAYOUT(TOP SIDE)
GENERAL TOLERANCE ±0.05



- NOTES:
- MATERIAL SPECIFICATION
 - INSULATION: PA9T UL 94V-0.
 - CONTACT: THICK 0.20mm BRASS.
 - SOLDER TAB: THICK 0.20mm BRASS.
 - PLATING SPECIFICATION
 - CONTACT: MATTE TIN/GOLD PLATED.
 - SOLDER TAB: MATTE TIN PLATED.
 - PRODUCT SPEC: GS-12-1465
 - PACKAGING SPEC: GS-14-2613
 - USE WITH AFCI HOUSING 10147603
 - THIS HOUSING WILL WITHSTAND EXPOSURE TO 260°C PEAK TEMP FOR 10S IN A REFLOW OVEN.
 - BILL OF PART NO:
10147605 - X X X XX LF

MATERIAL

- 0: PA9T NATURAL
- 1: PA9T BLACK
- 2: PA9T NATURAL HALOGEN FREE
- 3: PA9T BLACK HALOGEN FREE

LEAD FREE

- 0: TAPE&REEL
- Q: TAPE&REEL WITHOUT COVER(CUSTOMIZED)

PACKAGING

- 0: TAPE&REEL
- Q: TAPE&REEL WITHOUT COVER(CUSTOMIZED)

TOTAL POSITIONS 02 TO 20

PLATING

- 0: 100u" MATTE TIN
- 1: GOLD FLASH

DIMENSIONAL

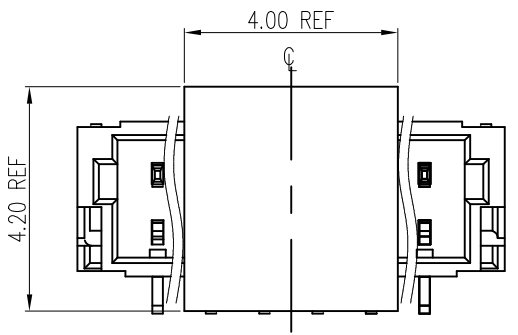
POS	A	B	C	D	POS	A	B	C	D
2	1.00	2.50	4.00	3.30	12	11.00	12.50	14.00	13.30
3	2.00	3.50	5.00	4.30	13	12.00	13.50	15.00	14.30
4	3.00	4.50	6.00	5.30	14	13.00	14.50	16.00	15.30
5	4.00	5.50	7.00	6.30	15	14.00	15.50	17.00	16.30
6	5.00	6.50	8.00	7.30	16	15.00	16.50	18.00	17.60
7	6.00	7.50	9.00	8.30	17	16.00	17.50	19.00	18.30
8	7.00	8.50	10.00	9.30	18	17.00	18.50	20.00	19.30
9	8.00	9.50	11.00	10.30	19	18.00	19.50	21.00	20.30
10	9.00	10.50	12.00	11.30	20	19.00	20.50	22.00	21.30
11	10.00	11.50	13.00	12.30					

mat'l. code		surface ISO 1302		tolerance ISO 406 ISO		projection		product family	
ltr		ecn no		dr		date		Minitek	
B		ELX-N-34989		Jason		2019/9/27		title	
C		ELX-N-35727		Jason		2019/12/25		1.0mm Vertical Header	
D		ELX-N-36424		Jason		2020-04-10		scale 1:1	
E		ELX-N-45365		YS		2022-07-12		sheet 1 of 2	
				dr		TONY LENG		2018-03-19	
				eng		Jason Wang		2019-12-25	
				chr					
				appd		TIM YAO		2019-12-25	
sheet index		revision sheet		E E				Amphenol FCI	
				1 2				10147605	
								type Product Customer Drawing	

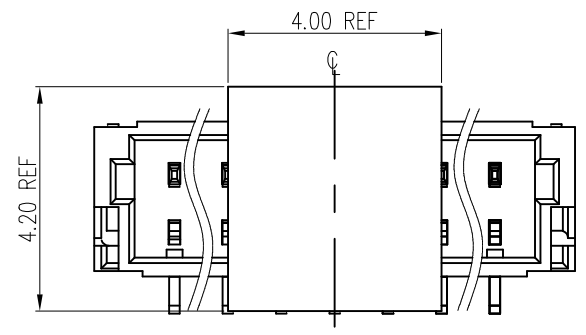
Amphenol
FCI

© 2016 AFCI

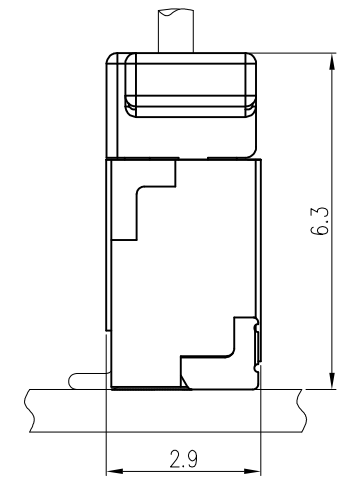
D



POS 2,4,6,8,10,12,14,16,18,20



POS 3,5,7,9,11,13,15,17,19



ASSEMBLY LAYOUT
TOP ENTRY TYPE

mat'l. code		surface		tolerance		projection		product family	
		ISO 1302 ✓		ISO 406 ISO 1101		ISO 1101		Minitek	
ltr	ecn no	dr	date	tolerances unless otherwise specified		title			
E				angles	linear	mm		1.0mm Vertical Header	
				0°±x'		scale 1:1			
		dr	TONY LENG	2018-03-19				dwg no	
		eng	Jason Wang	2019-12-25				sheet 2 of 2	
		chr	-	-				size	
		appd	TIM YAO	2019-12-25				A3	
sheet index		revision sheet	E 1	E 2					

