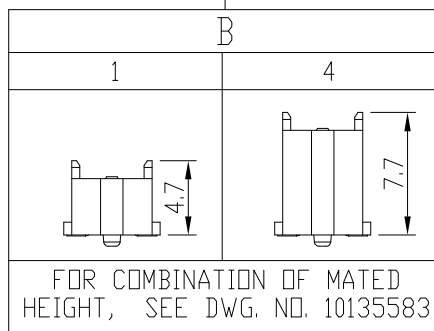


10135584-AA B C D E FF

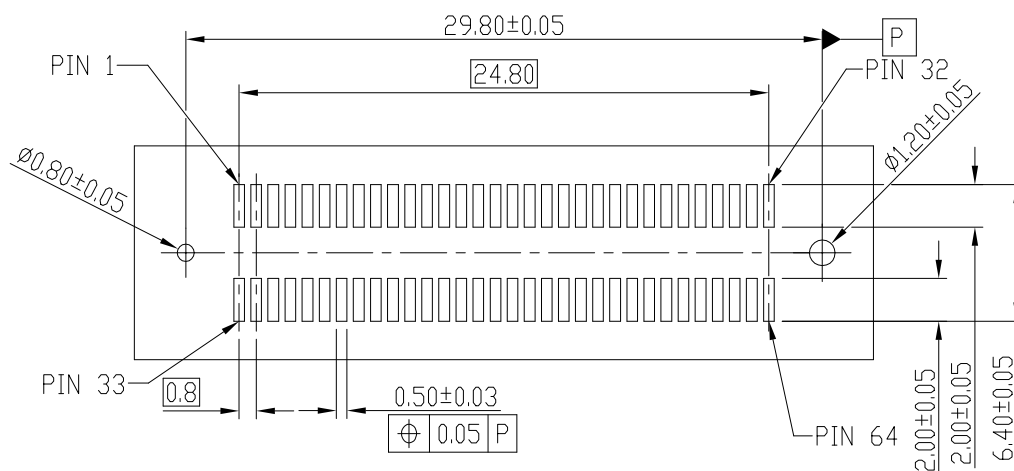
AA	NO. OF POSITIONS
64	2X32



E	PACKAGING
2	T&R WITH METAL CAP
Q	T&R WITHOUT CAP

D	POLARIZATION PEG
0	YES

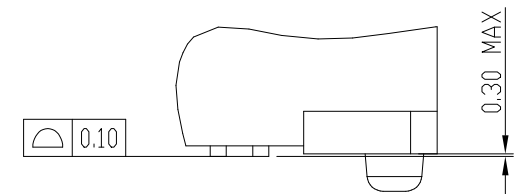
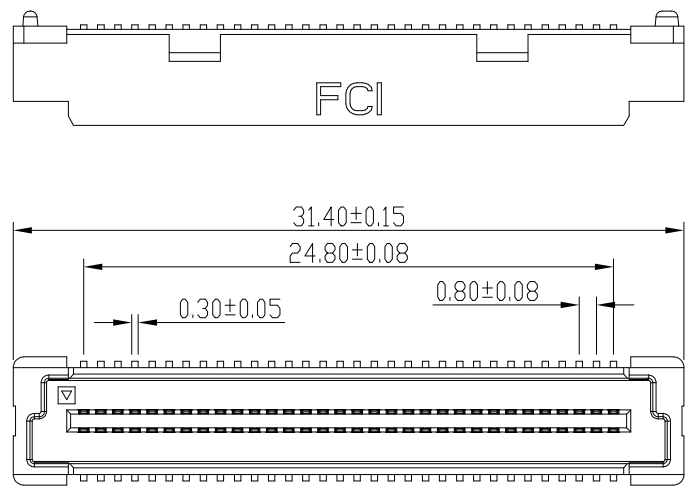
C	PLATING	FF
4	GOLD 0.2um MIN / PURE MATT TIN NICKEL UNDERPLATE OVERALL 1.27um. (LEADFREE PLATING)	LF
5	GOLD 0.38um MIN / MATT PURE TIN NICKEL UNDERPLATE OVERALL 1.27UM MIN (LEADFREE PLATING)	LF
6	GOLD FLASH (0.1um MIN) OVER PALLADIUM-NICKEL 0.76um MIN / PURE MATT TIN NICKEL UNDERPLATE OVERALL 1.27um. (LEADFREE PLATING)	LF



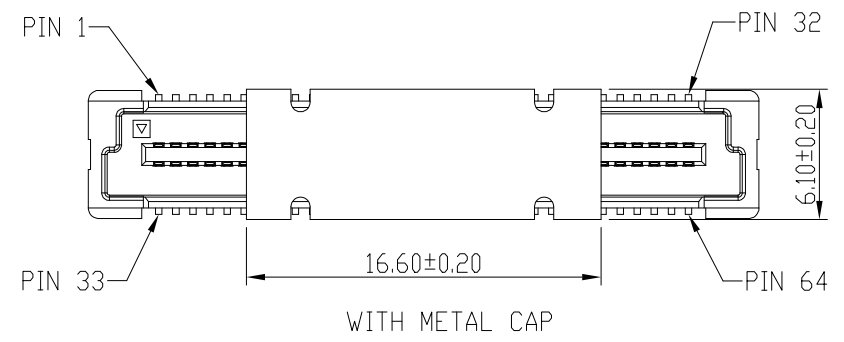
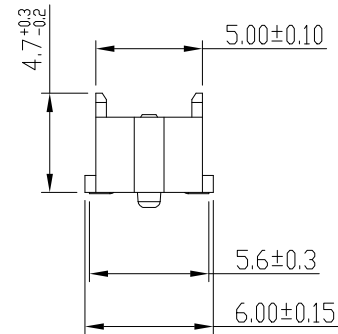
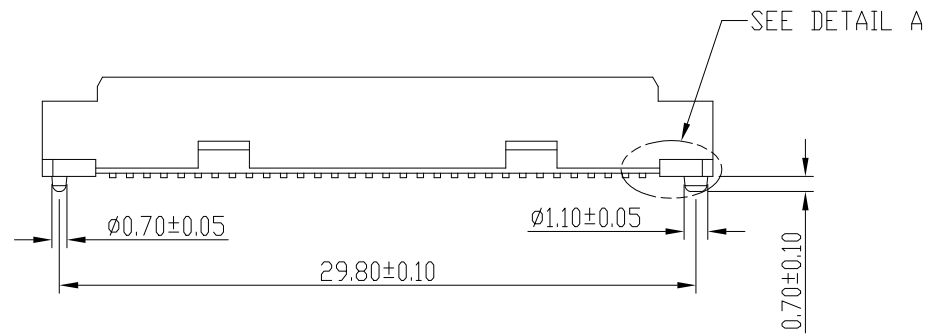
NOTE: RECOMMENDED PCB LAYOUT WITH PEGS

- MATERIAL:  
HOUSING: HIGH THERMOPLASTIC, GF. UL94-V0  
TERMINAL: COPPER ALLOY
- PLATING:  
AS SHOWN IN TABLE.
- SEE GS-12-547 FOR PRODUCT SPEC.
- PRODUCT WILL BE PACKED IN ACCORDANCE TO GLOBAL PROCEDURE GS-14-920.
- THIS PRODUCT MEETS THE EUROPEAN UNION DIRECTIVES AND OTHER COUNTRY REGULATIONS AS DESCRIBED IN GS-22-008.
- THE HOUSING WILL WITHSTAND EXPOSURE UP TO 260~ PEAK TEMPERATURE FOR 30 SECONDS IN A CONVECTION, INFRA-RED OR VAPOR PHASE REFLOW OVEN.

mat'l. code		surface <input checked="" type="checkbox"/> tolerance <input checked="" type="checkbox"/>		projection <input checked="" type="checkbox"/>		product family	
		ISO 1302 ✓ ISO 406 ISO 1101				BERGSTAK HPL545	
ltr	ecn no	dr	date	tolerances unless otherwise specified		title	
A		GM	06/05/16	angles	.0±.2	PLUG ASSY	
B	ELX-N-25202	Bob	10/24/16	linear	.00±.15	BERGSTAK 0.8MM	
C	ELX-N-26290	Bob	03/15/17	0'±x'	.000±.10	scale 4:1	
D	ELX-N-28877	Bob	12/26/17	dr	Jim Meng	06/05/16	dwg no
				engr	Bob Gu	12/26/17	sheet 1 of 3
				chr	LQ Lei	12/26/17	size
				appd	Tim Yao	12/26/17	A3
sheet index		revision		C D		type	
		sheet		1~3 1~3		Product Customer Drawing	

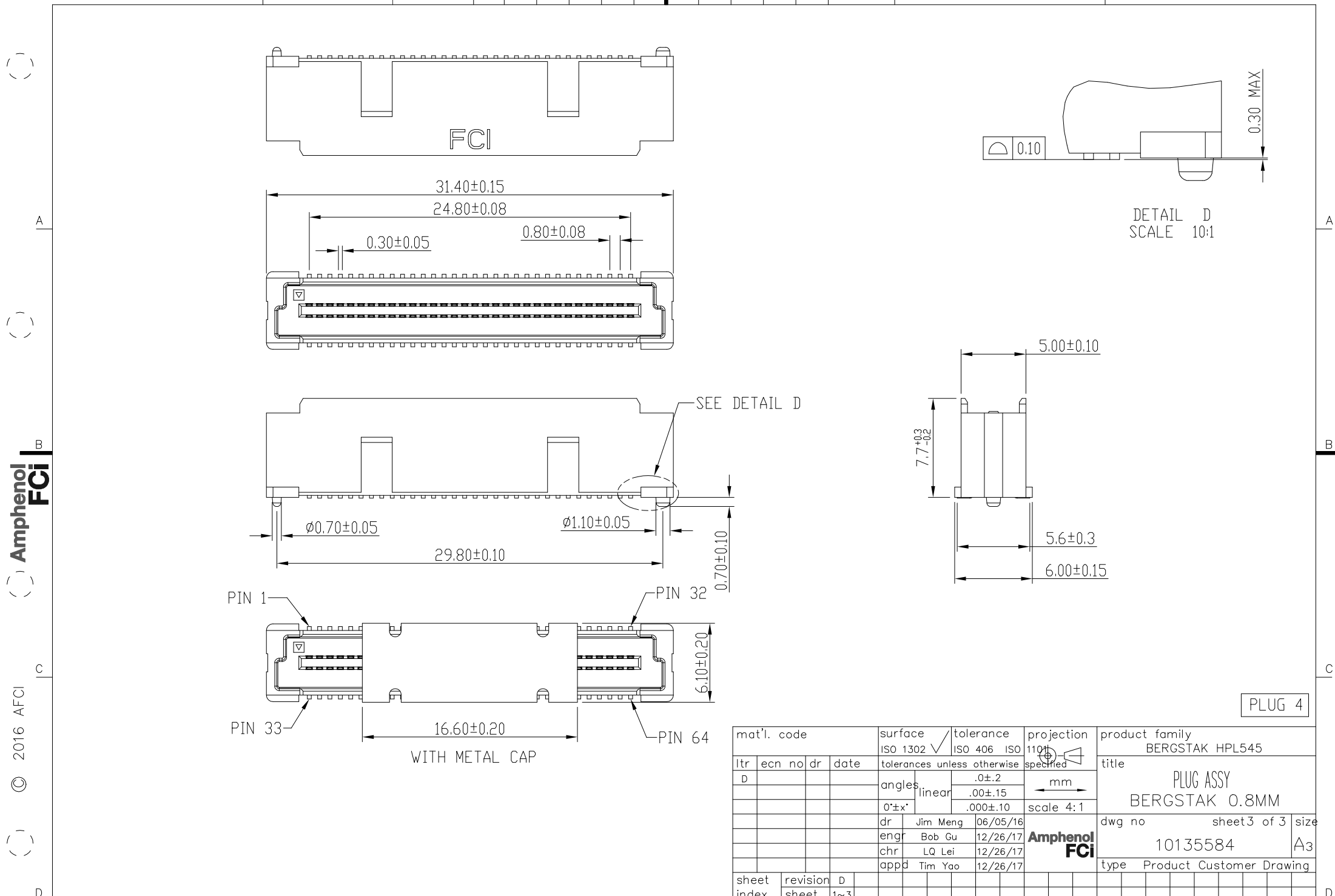


DETAIL A  
SCALE 10:1



PLUG 1

mat'l. code		surface ISO 1302 ✓		tolerance ISO 406 ISO 1101		projection 1101		product family BERGSTAK HPL545			
ltr	ecn no	dr	date	tolerances unless otherwise specified		mm		title			
D				angles	linear	.0±.2	mm	PLUG ASSY			
				0°±x'		.00±.15	scale 4:1	BERGSTAK 0.8MM			
				dr	Jim Meng	06/05/16	Amphenol FCI	dwg no		sheet 2 of 3	size
				engr	Bob Gu	12/26/17		10135584			A3
				chr	LQ Lei	12/26/17		type Product Customer Drawing			
				appd	Tim Yao	12/26/17					
sheet index	revision sheet	D 1~3									



Amphenol  
FCI

© 2016 AFCI

D

A

B

C

D

PLUG 4

mat'l. code		surface ISO 1302 ✓		tolerance ISO 406 ISO 1101		projection 1101		product family BERGSTAK HPL545			
ltr	ecn no	dr	date	tolerances unless otherwise specified		mm		title			
D				angles	linear	.0±.2	mm	PLUG ASSY BERGSTAK 0.8MM			
				0°±x'		.00±.15	scale 4:1	dwg no		sheet 3 of 3	size
				dr	Jim Meng	06/05/16	Amphenol FCI	10135584			A3
				engr	Bob Gu	12/26/17		type Product Customer Drawing			
				chr	LQ Lei	12/26/17					
				appd	Tim Yao	12/26/17					
sheet index	revision sheet	D	1~3								