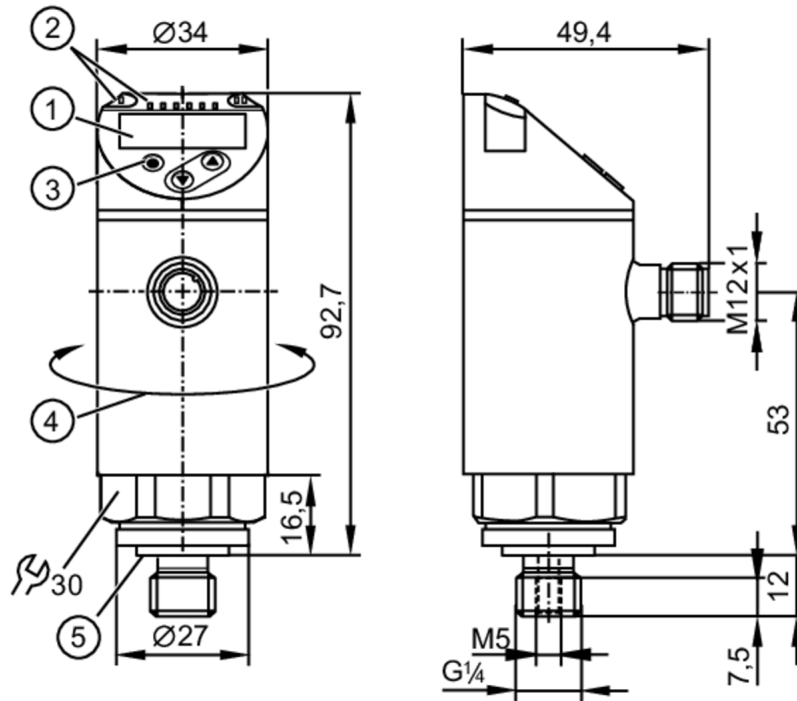


PN2560



Pressure sensor with display

PN-600-SEG14-MFRKG/US/ IV



- 1 alphanumeric display 4-digit red/green
- 2 LEDs Display unit / switching status
- 3 programming button
- 4 upper part of the housing can be rotated 345°
- 5 Sealing



Product characteristics

Number of inputs and outputs	Number of digital outputs: 2; Number of analogue outputs: 1		
Measuring range	0...600 bar	0...8700 psi	0...60 MPa
Process connection	threaded connection G 1/4 external thread (DIN EN ISO 1179-2); internal thread:M5		

Application

Special feature	Gold-plated contacts		
Measuring element	metallic thin film cell		
Application	for industrial applications		
Media	liquids and gases		
Medium temperature [°C]	-25...80		
Min. bursting pressure	2500 bar	36250 psi	250 MPa
Pressure rating	800 bar	11580 psi	80 MPa
Vacuum resistance [mbar]	-1000		
Type of pressure	relative pressure		

Electrical data

Operating voltage [V]	18...30 DC; (to SELV/PELV)		
Current consumption [mA]	< 35		
Min. insulation resistance [MΩ]	100; (500 V DC)		
Protection class	III		
Reverse polarity protection	yes		

PN2560



Pressure sensor with display

PN-600-SEG14-MFRKG/US/ IV

Power-on delay time	[s]	0.3
Integrated watchdog		yes

Inputs / outputs

Number of inputs and outputs	Number of digital outputs: 2; Number of analogue outputs: 1
------------------------------	---

Outputs

Total number of outputs		2
Output signal		switching signal; analogue signal; IO-Link; (configurable)
Electrical design		PNP/NPN
Number of digital outputs		2
Output function		normally open / normally closed; (parameterisable)
Max. voltage drop switching output DC	[V]	2
Permanent current rating of switching output DC	[mA]	250
Switching frequency DC	[Hz]	< 500
Number of analogue outputs		1
Analogue current output	[mA]	4...20; (scalable 1:5)
Max. load	[Ω]	500
Analogue voltage output	[V]	0...10; (scalable 1:5)
Min. load resistance	[Ω]	2000
Short-circuit protection		yes
Type of short-circuit protection		pulsed
Overload protection		yes

Measuring/setting range

Measuring range	0...600 bar	0...8700 psi	0...60 MPa
Set point SP	4...600 bar	60...8700 psi	0.4...60 MPa
Reset point rP	1...597 bar	20...8660 psi	0.1...59.7 MPa
Analogue start point	0...480 bar	0...6960 psi	0...48 MPa
Analogue end point	120...600 bar	1740...8700 psi	12...60 MPa
In steps of	1 bar	20 psi	0.1 MPa

Accuracy / deviations

Switch point accuracy		< ± 0,4; (Turn down 1:1)
	[% of the span]	
Repeatability		< ± 0,1; (with temperature fluctuations < 10 K; Turn down 1:1)
	[% of the span]	
Characteristics deviation		< ± 0,25 (BFSL) / < ± 0,5 (LS); (Turn down 1:1; BFSL = Best Fit Straight Line; LS = limit value setting)
	[% of the span]	
Hysteresis deviation		< ± 0,1; (Turn down 1:1)
	[% of the span]	
Long-term stability		< ± 0,05; (Turn down 1:1; per 6 months)
	[% of the span]	
Temperature coefficient zero point		0,2; (-25...80 °C)
	[% of the span / 10 K]	
Temperature coefficient span		0,2; (-25...80 °C)
	[% of the span / 10 K]	

PN2560



Pressure sensor with display

PN-600-SEG14-MFRKG/US/ IV

Notes on the accuracy / deviation	switch point accuracy, linearity error under DNV GL: $\lt; \pm 1\%$: $\lt; \pm 1\%$
-----------------------------------	---

Response times

Response time [ms]	$\lt; 1.5$
Delay time programmable dS, dr [s]	0...50
Damping process value dAP [s]	0...4
Damping for the analogue output dAA [s]	0...4
Max. response time analogue output [ms]	3

Software / programming

Parameter setting options	hysteresis / window; normally open / normally closed; switch-on/switch-off delay; Damping; Display unit; current/voltage output
---------------------------	---

Interfaces

Communication interface	IO-Link	
Transmission type	COM2 (38,4 kBaud)	
IO-Link revision	1.1	
SDCI standard	IEC 61131-9	
Profiles	Smart Sensor: Process Data Variable; Device Identification, Device Diagnosis	
SIO mode	yes	
Required master port type	A	
Process data analogue	1	
Process data binary	2	
Min. process cycle time [ms]	2.3	
Supported DeviceIDs	Type of operation	DeviceID
	Default	458

Operating conditions

Ambient temperature [°C]	-25...80
Storage temperature [°C]	-40...100
Protection	IP 65; IP 67

Tests / approvals

EMC	DIN EN 61000-6-2	
	DIN EN 61000-6-3	
Shock resistance	DIN EN 60068-2-27	50 g (11 ms)
Vibration resistance	DIN EN 60068-2-6	20 g (10...2000 Hz)
MTTF [years]	129	
UL approval	UL Approval no.	J014
Pressure Equipment Directive	Sound engineering practice; can be used for group 2 fluids; group 1 fluids on request	

Mechanical data

Weight [g]	261.5
Materials	1.4542 (17-4 PH / 630); stainless steel (1.4404 / 316L); PBT+PC-GF30; PBT-GF20; PC
Materials (wetted parts)	1.4542 (17-4 PH / 630)
Min. pressure cycles	100 million
Tightening torque [Nm]	30...50; (recommended tightening torque; depends on lubrication, seal and pressure rating)
Process connection	threaded connection G 1/4 external thread (DIN EN ISO 1179-2); internal thread:M5

PN2560



Pressure sensor with display

PN-600-SEG14-MFRKG/US/ IV

Process connection sealing	FKM (to DIN 3869)
Restrictor element integrated	no (can be retrofitted)

Displays / operating elements

Display	Display unit	3 x LED, green (bar, psi, MPa)
	switching status	2 x LED, yellow
	measured values	alphanumeric display, red/green 4-digit

Remarks

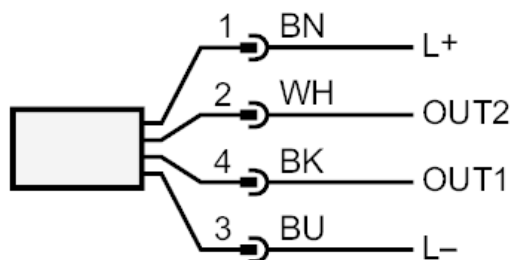
Pack quantity	1 pcs.
---------------	--------

Electrical connection

Connector: 1 x M12; coding: A; Contacts: gold-plated



Connection



OUT1 switching output
OUT2 switching output
 analogue output
Core colours :
BK = black
BN = brown
BU = blue
WH = white