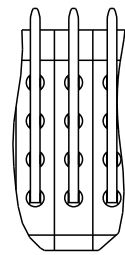
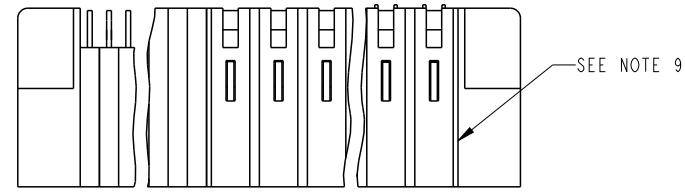
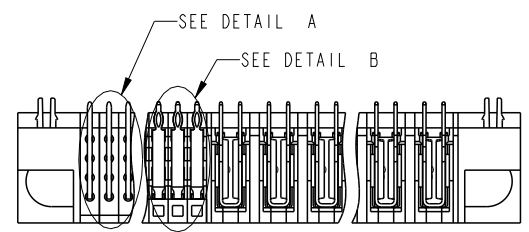
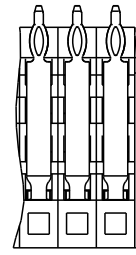


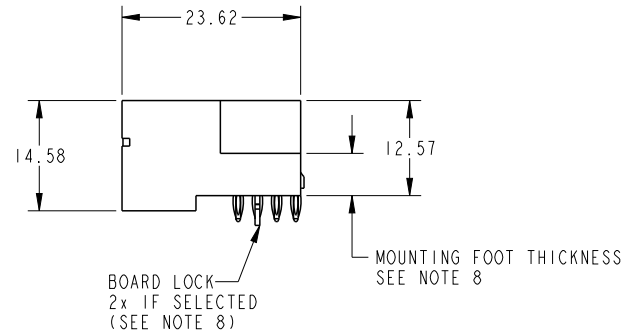
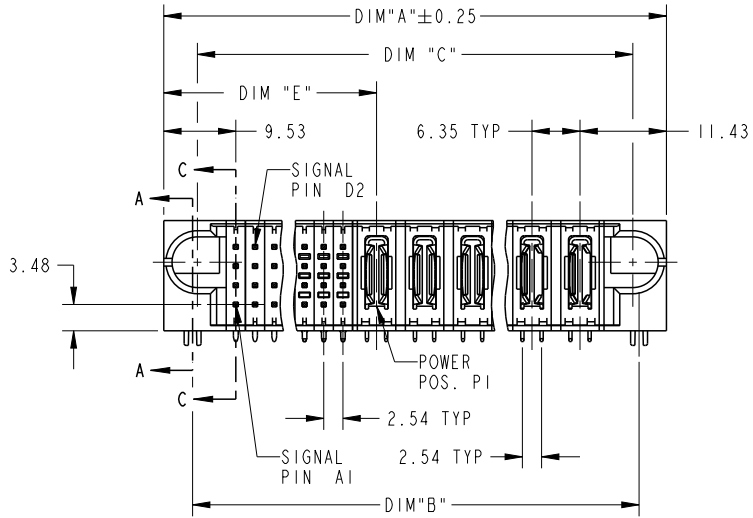
PRODUCT NUMBER
51721-A00CCDDEF--
SEE NOTE 1



DETAIL A
SCALE 2:1
FOR SOLDER TO BOARD ONLY



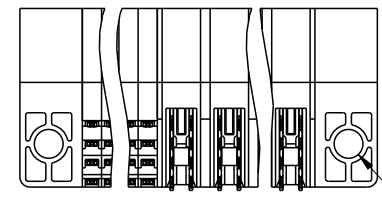
DETAIL B
SCALE 2:1
FOR PRESS FIT ONLY



spec ref	*	dr	Julia Wang	2006/09/20	Amphenol Power Solutions	MM	scale	size
tolerance std	TOLERANCES UNLESS OTHERWISE SPECIFIED	eng	Huo-Rong Dai	2021/08/31		←	1:1	A4
ASME Y14.5		rivr	-	-		→	ecn no	ELX-DG-42194-1
		appr	Zheng, Pei-Min	2021/09/01		A Division of Amphenol Corporation	amphenol-icc.com	rel level
surface	linear	0.X	±0.5	projection 	title	R/A HEADER WITH GUIDE PIN	51721	rev
		0.XX	±0.25		SIGNAL / POWER	cat. no.	51721	R
		0.XXX	±0.100		product family	PwrBlade	Product - Customer Drw	sheet 1 of 3
ASME Y14.5	angular	0°	±2°					

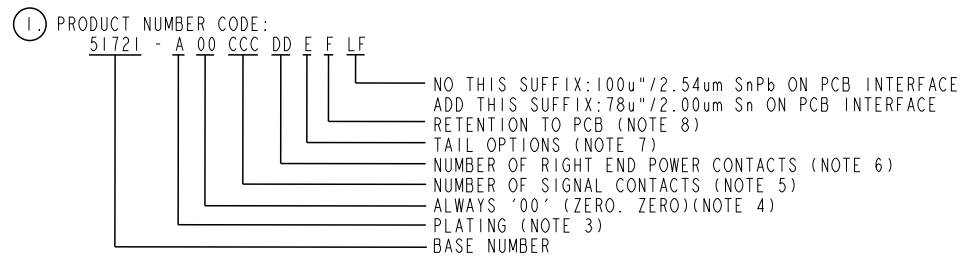
Creo File: APH-PWR-ACC; REV B; 2021-09-07

PRODUCT NUMBER	DIM	LENGTH FORMULAS (SEE NOTE 10)
51721-A00CCDDEF--	DIM "A"	2.54 x (CCC/4) + 6.35 x DD + 16.51(NOTE 10)
SEE NOTE 1	DIM "B"	2.54 x (CCC/4) + 6.35 x DD + 8.89
	DIM "C"	2.54 x (CCC/4) + 6.35 x DD + 7.62
	DIM "E"	2.54 x (CCC/4) + 11.43
	DIM "F"	2.541 x (CCC/4) + 6.35 x DD + 17.27
	DIM "H"	2.54 x (CCC/4) + 6.35



▲ SCREW THROUGH HOLE FOR NOTE 8.B
THROUGH HOLE 2x IF SELECTED (SEE NOTE 8.B)

CONNECTOR NOTES



- ②. HOUSING MATERIAL: GLASS FILLED V-O HIGH TEMP THERMO PLASTIC.
SIGNAL CONTACT MATERIAL: COPPER ALLOY
POWER CONTACT MATERIAL: COPPER ALLOY
- ③. PLATING OPTION:
1 = SEE PRINT 10064183 FOR PLATING SPEC OF 51721-100CCDDEF; 51721-100CCDDEFLF
- ④. THIS PART IS NOT AVAILABLE WITH LEFT SIDE POWER CONTACTS.
- ⑤. SIGNAL CONTACTS, 004 TO 148 AVAILABLE.
- ⑥. RIGHT END POWER CONTACTS, 01 TO 20 AVAILABLE.
MAXIMUM OF 20 POWER CONTACTS PER CONNECTOR.
- ⑦. TAIL OPTIONS:
A = 3.43 SOLDER TO BOARD
B = 4.19 SOLDER TO BOARD
C = 3.43 PRESS FIT
D = 2.34 SOLDER TO BOARD

- ⑧. RETENTION TO PCB OPTIONS:
A = BOARD LOCK (REQUIRES 2.49 +0.05, -0.03 THRU HOLE IN PCB).
MOUNTING FOOT THICKNESS 5.59
B = 3.81 THRU HOLE (REQUIRES 4.01±0.07 THRU HOLE IN PCB).
MOUNTING FOOT THICKNESS 4.06
MOUNTING HOLES, WHERE APPLICABLE, ARE UNPLATED.
- ⑨. MANUFACTURE'S NAME, P/N, AND DATE CODE TO APPEAR ON THIS SURFACE.
- ⑩. THE MAXIMUM OVERALL LENGTH (DIM A) OF A PART IS 203.2
- 11. PRODUCT SPECIFICATION GS-12-149
APPLICATION SPECIFICATION BUS-20-067
- 12. REFERENCE 51697 FOR SELECT LOAD/FMLB WORKSHEET

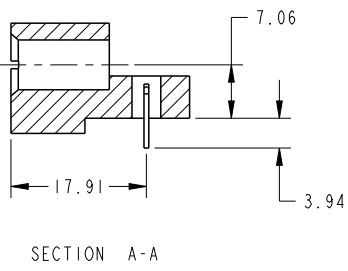
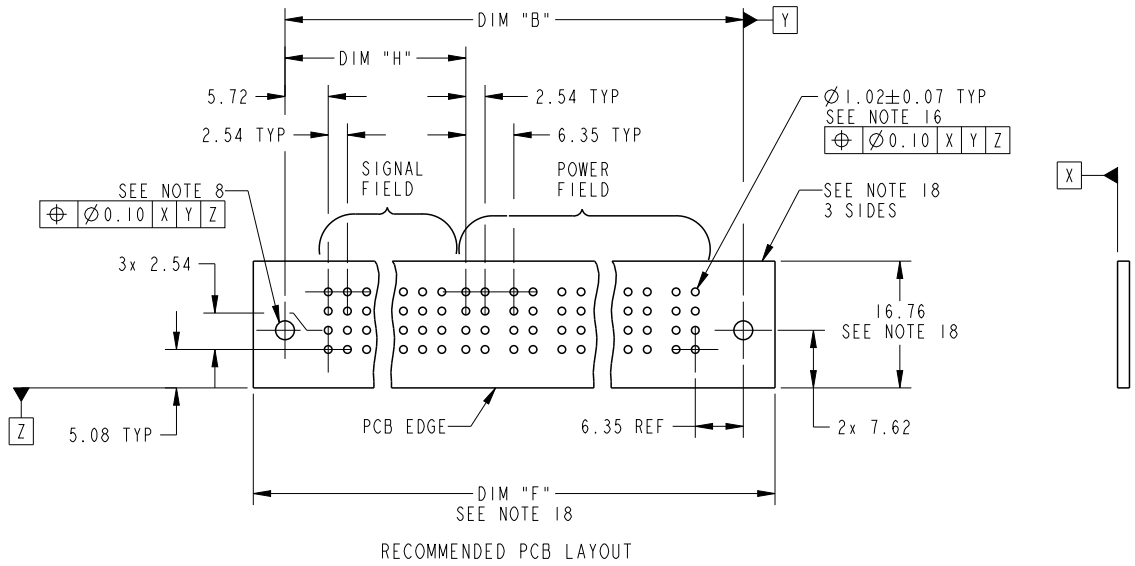
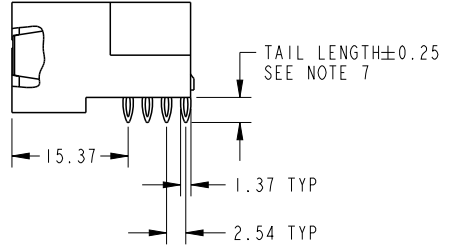
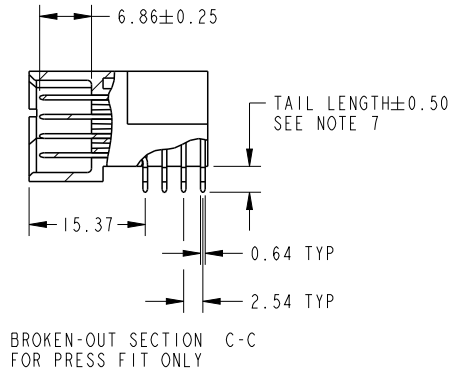
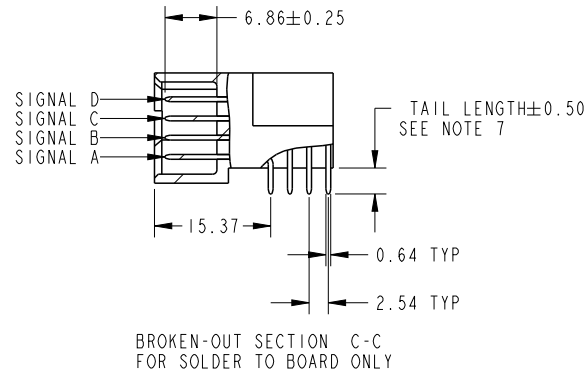
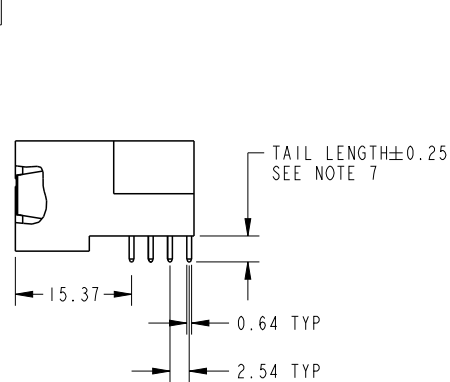
PCB NOTES:

- 13. ALL DIMENSIONS ARE BASIC UNLESS OTHERWISE SPECIFIED.
- 14. ALL THROUGH HOLES ARE LOCATED WITH A TRUE POSITION OF 0.10
- 15. ALL HOLE DIAMETERS ARE FINISHED HOLE SIZE.
- ⑬. Ø1.151±0.025 DRILLED HOLES PLATED WITH 0.008 MIN SnPb OR Sn OVER 0.03 TO 0.08 Cu PLATING TO ACHIEVE A 1.02±0.07 HOLE.
- 17. A ▲ SYMBOL WILL BE NEXT TO ANY DIMENSION, VIEW, OR NOTE WHICH HAS BEEN MODIFIED WITH THE CURRENT DRAWING REVISION.
- ⑭. CONNECTOR KEEP OUT ZONE

spec ref	*	dr	Julia Wang	2006/09/20	Amphenol Power Solutions	MM	scale	size
tolerance std	TOLERANCES UNLESS OTHERWISE SPECIFIED	eng	Huo-Rong Dai	2021/08/31		←	1:1	A4
ASME Y14.5		r vwr	-	-		→	ecn no	ELX-DG-42194-1
surface		appr	Zheng, Pei-Min	2021/09/01		A Division of Amphenol Corporation	amphenol-icc.com	rel level
ASME Y14.5	linear	0.X	±0.5	projection	R/A HEADER WITH GUIDE PIN	51721	rev	
		0.XX	±0.25	⊕	SIGNAL / POWER	cat. no.	51721	R
	angular	0°	±2°		product family	PwrBlade	Product - Customer Drw	sheet 2 of 3

Creo File:APH-PWR-ACC;REV B;2021-09-07

PRODUCT NUMBER
51721-A00CCDDEF__
SEE NOTE 1



dr	Julia Wang	2006/09/20
eng	Huo-Rong Dai	2021/08/31
r vwr	-	-
appr	Zheng, Pei-Min	2021/09/01

Amphenol Power Solutions

A Division of Amphenol Corporation amphenol-icc.com

MM	scale 1:1	size A4
ecn no ELX-DG-42194-1		
rel level Released		

projection title product family	R/A HEADER WITH GUIDE PIN		51721 cat. no. 51721	rev R
	SIGNAL / POWER			
PwrBlade		sheet 3 of 3		

Creo File: APH-PWR-AAC_REV B_2021-09-01