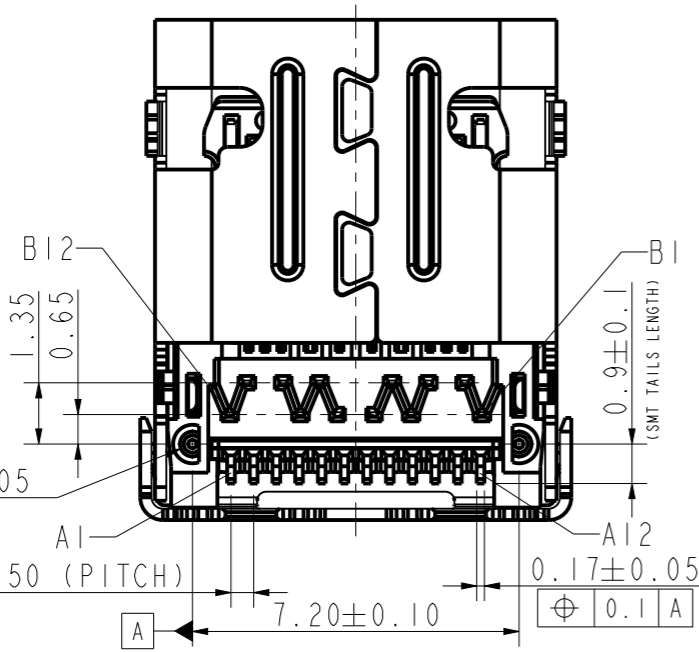
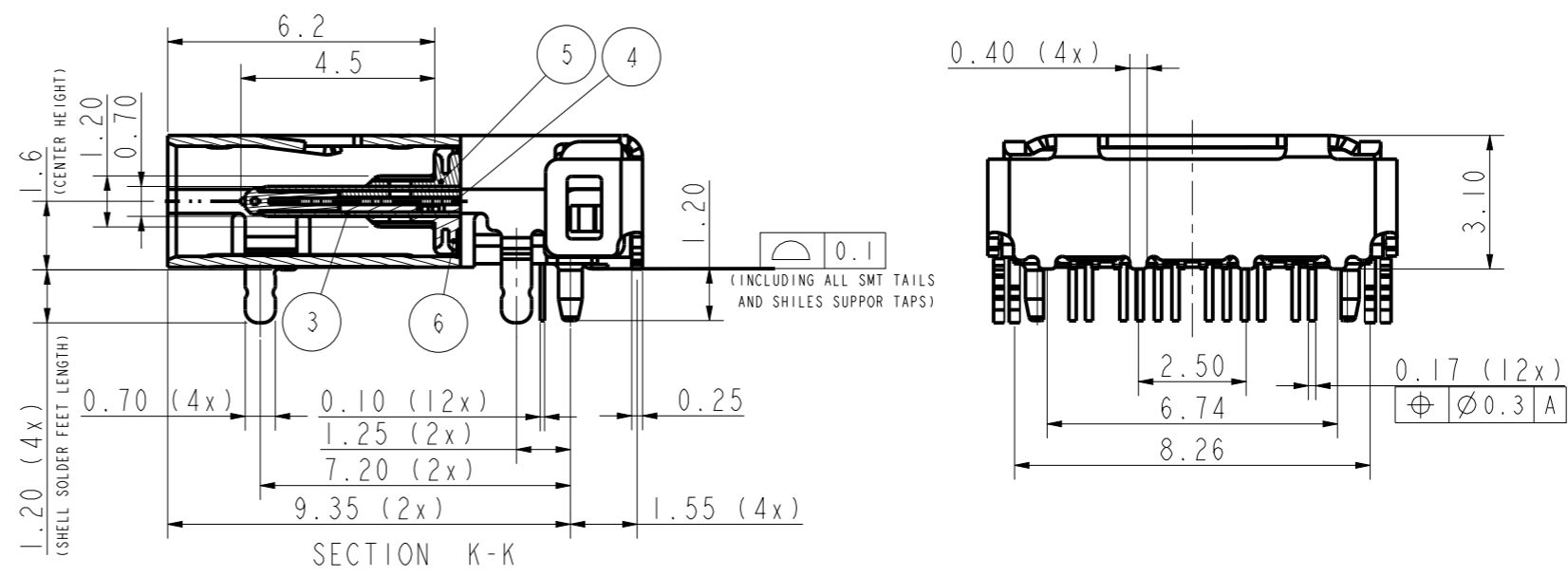
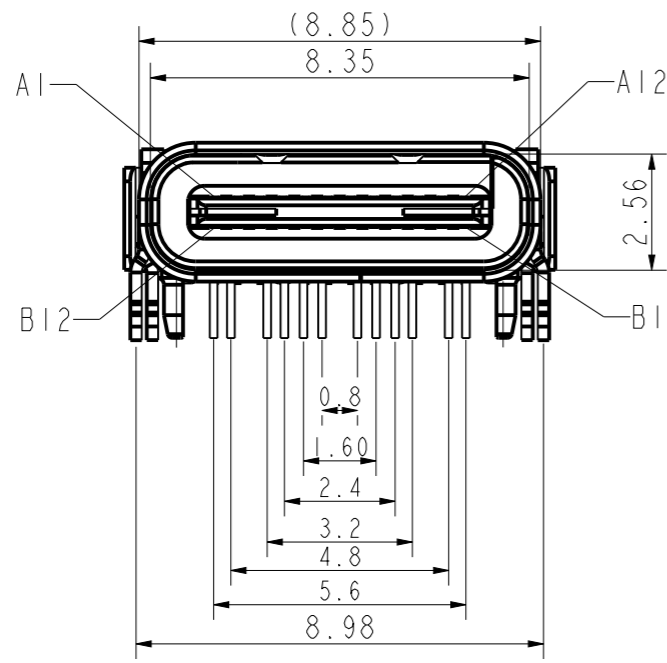
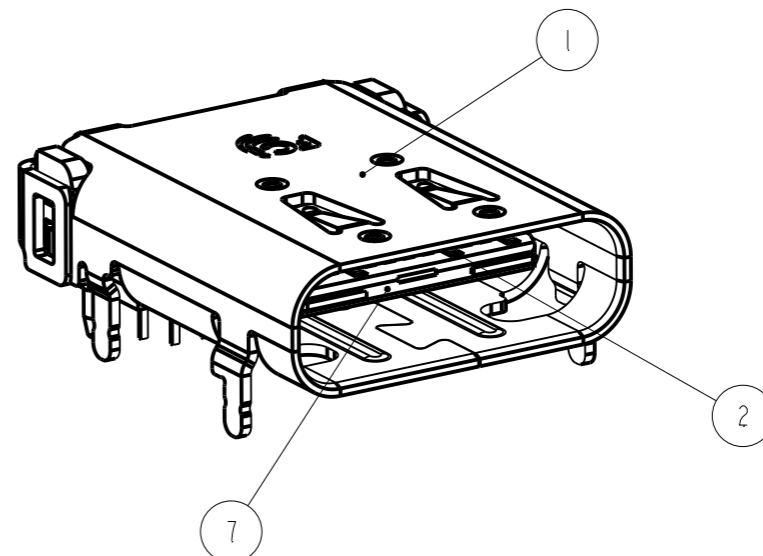
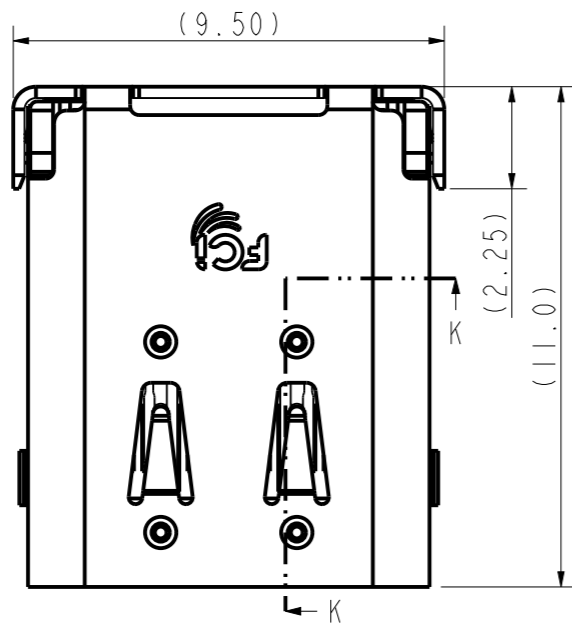


PART NUMBER
SEE NOTE 8

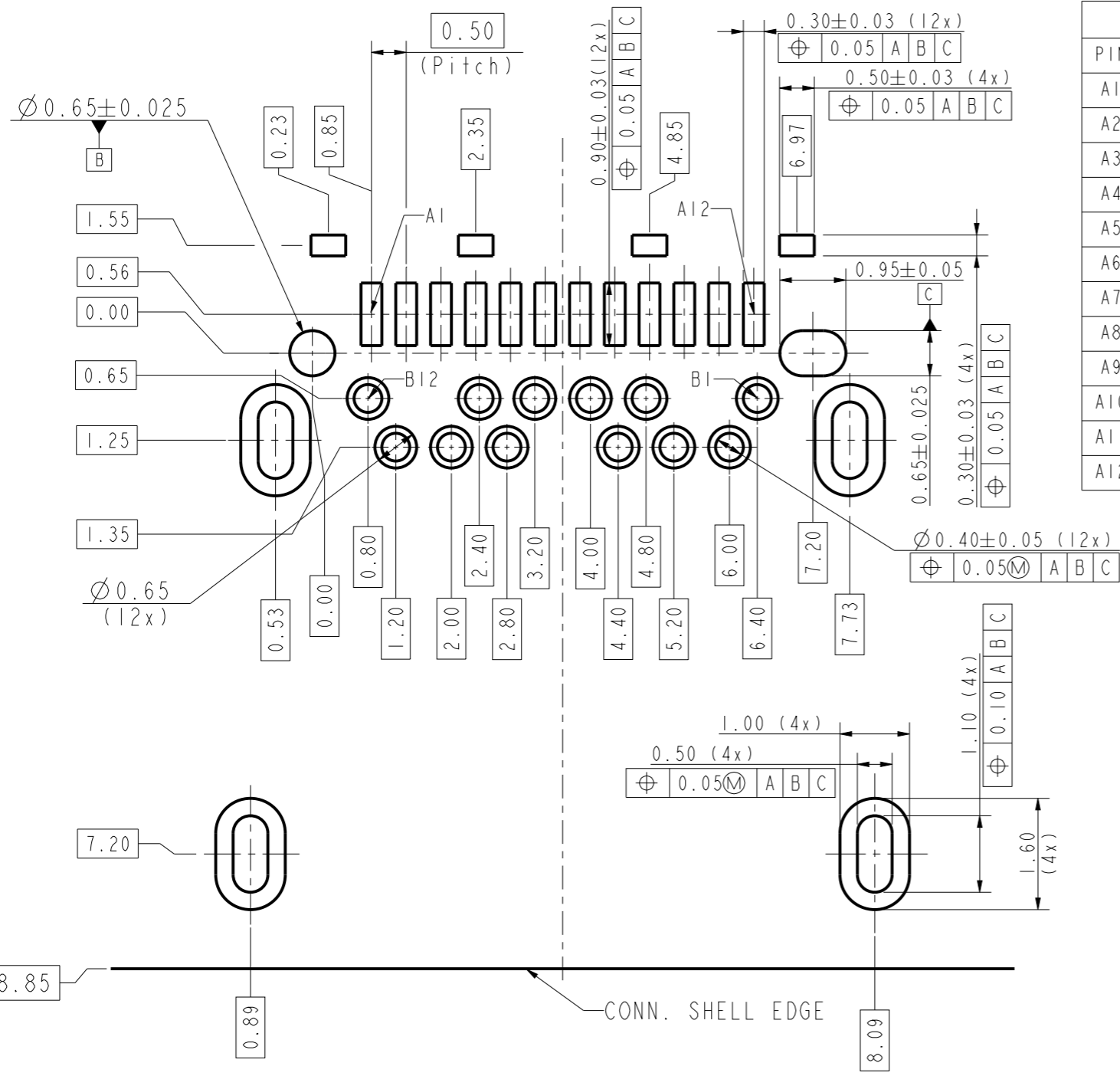


No.	DESCRIPTION	QTY	MATERIAL	TREATMENT	REMARKS
7	MID INSULATOR	1	HIGHT TEMPERATURE THERMOPLATSTIC	MOLDED BLACK	
6	DIP INSULATOR	1	UL94V-0		
5	SMT INSULATOR	1			
4	MID-PLATE	1	STAINLESS STEEL	NICKEL PLATING OVER ALL.	
3	TERMINAL B	12	COPPER ALLOY	NICKEL PLATED OVER ALL; MATT TIN PLATED ON SOLDER TAIL; GOLD OR GXT PLATED ON CONTACT AREA.	
2	TERMINAL A	12			
1	OUT SHELL	1	STAINLESS STEEL	NICKEL PLATED OVER ALL	

spec ref	-	dr	Li-Qing Lei	2015/04/03	projection	mm	size	A3	scale	6.000	
tolerance std	ISO 406 ISO 1101	eng	Nick Zhang	2017/06/13			ecn no	ELX-N-27195-1			
TOLERANCES UNLESS OTHERWISE SPECIFIED		chr	-	-			rel level	Released			
surface	linear	appr	Tim Yao	2017/06/13	product family		dwg no	10133476		rev	B
	angular	Amphenol FCI		USB3.1 TYPE C RECEPTACLE R/A							
ISO 1302	0.X ±0.25 0.XX ±0.15 0.XXX ±0.08 0° ±2°	SMT ADN DIP TAILS		cat. no.	Product - Customer Drw		sheet 1 of 2				

Amphenol FCI

© 2016 AFCI

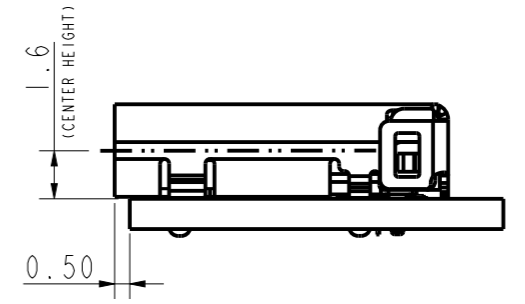
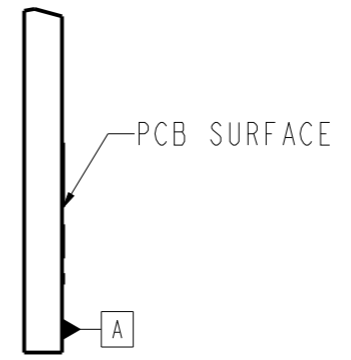


PIN ASSIGNMENTS			
PIN	SIGNAL NAME	PIN	SIGNAL NAME
A1	GND	B12	GND
A2	SSTXp1	B11	SSRXp1
A3	SSTXn1	B10	SSRXn1
A4	VBUS	B9	VBUS
A5	CC1	B8	SBU2
A6	Dp1	B7	Dn2
A7	Dn1	B6	Dp2
A8	SBU1	B5	CC2
A9	VBUS	B4	VBUS
A10	SSRXn2	B3	SSTXn2
A11	SSRXp2	B2	SSTXp2
A12	GND	B1	GND

- NOTE:
- ELECTRICAL CHARACTERISTICS:
 - CURRENT RATING : 5.0A Max.;
 - DIELECTRIC WITHSTANDING VOLTAGE : 100V AC R.M.S. FOR 1 MINUTE;
 - INSULATION RESISTANCE : 100 MΩ Min. AT 100V DC;
 - CONTACT RESISTANCE : INITIAL 40mΩ Max. ; FINAL 50mΩ Max..
 - MECHANICAL CHARACTERISTICS:
 - INSERTION FORCE : 5N-20N;
 - EXTRCTION FORCE : 6N-20N;
 - DURABILITY : 10000 CYCLES.
 - RECOMMENDED PCB THICKNESS IS 0.8mm OR 1.0mm.
 - THE HOUSING WILL WITHSTAND EXPOSURE TO 260°C PEAK TEMPERATURE FOR 20 SECONDS IN A CONVECTION, INFRA-RED OR VAPOR PHASE REFLOW.
 - LEAD FREE PRODUCT MEETS EUROPEAN UNION DIRECTIVES AND OTHER COUNTRY REGULATIONS AS DISCRIBED IN GS-22-008.
 - PRODUCT SPECITICATION: GS-12-1351.
 - PACKAGE SPECITICATION: GS-14-2448.
 - PART NUMBER CODE: 10133476-X00 X X LF

GROUND STATUS (A1/A12/B1/B12) LEAD FREE
 0. SEPARAED
 1. CONNECTED
 PACKAGING:
 1. TAPE & REEL

CONTACT PLATING:
 0. 30u" GXT (0.05um Au + 0.69um Ni-Pd) ON CONTACT AREA.
 OR 30u" GOLD (0.75um Au) ON CONTACT AREA.
 1. GOLD FLASH OVER ALL



RECOMMENDED PCB LAYOUT
 TOLERANCE: ±0.05

spec ref	-	dr	Li-Qing Lei	2015/04/03	projection	mm	size	A3	scale	1.000	
tolerance std	ISO 406 ISO 1101	eng	Nick Zhang	2017/06/13		← →	ecn no	ELX-N-27195-1			
surface	linear	chr	-	rel level			Released				
	angular	appr	Tim Yao	2017/06/13	product family		dwg no	10133476		rev	B
	0.X ±0.25 0.XX ±0.15 0.XXX ±0.08	Amphenol FCi		USB3.1 TYPE C RECEPTACLE R/A		cat. no.		Product - Customer Drw		sheet 2 of 2	
	ISO 1302			SMT ADN DIP TAILS		STATUS: Released		PDS: Rev :B		Printed: Jun 13, 2017	