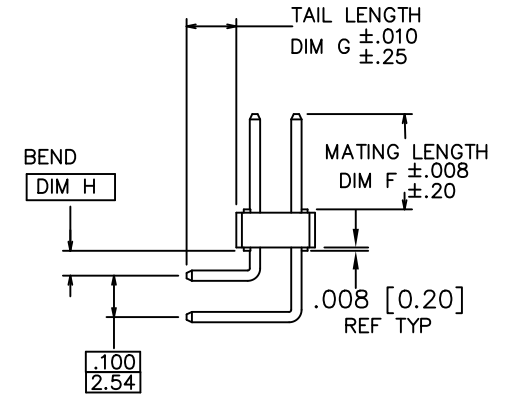
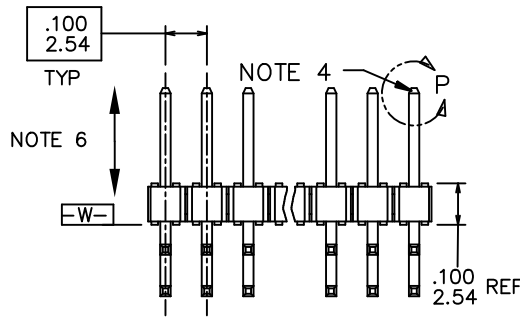
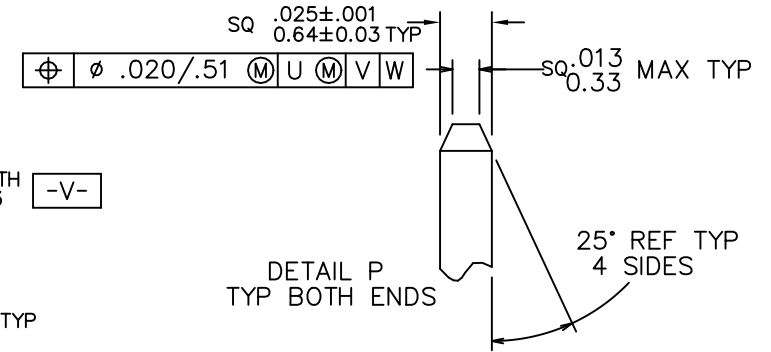
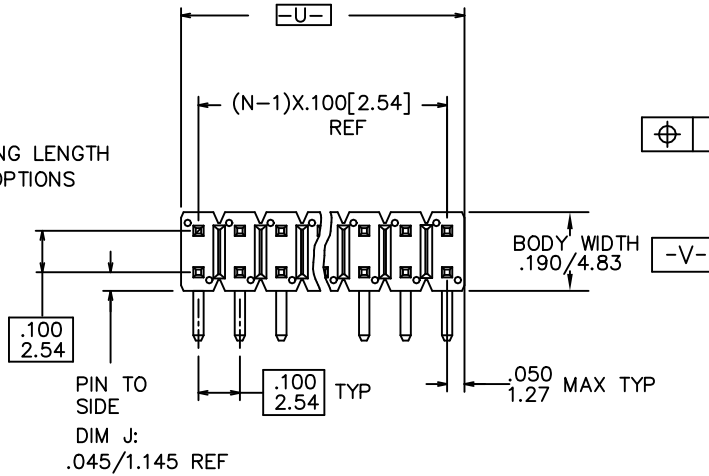


PRODUCT NUMBER

10129382 - X YY XXX X LF

- LEAD FREE OPTION (SEE NOTES 7)
- PACKAGING OPTIONS (SEE NOTE 3)
- INDICATES DIFFERENT MATING LENGTH TAIL LENGTH AND OTHER OPTIONS (SEE TABLE IN SHEET 2)
- NO OF POSITIONS (SEE NOTE 2)
- PIN PLATING (SEE SHEET 2)
- BASE PART NO.



.100 ± .003 [2.54 ± .08] TYP. NON-ACCUMULATIVE

Ø.040 ± .003 [1.02 ± .08] TYP.

.100 ± .003 [2.54 ± .08]

RECOMMENDED HOLE PATTERN

mat'l. code		surface		tolerance		projection		product family	
SEE NOTES 1		ISO 1302 ✓		ISO 406 ISO 1101		INCH/mm		ECONOSTIK	
ltr	ecn	no	dr	date		tolerances unless otherwise specified		title	
A	NEW	ZK		04/23/14		.xxx±0.01/0.30		ECONOSTIK HEADER	
B	ELX-N-18529	ZK		08/14/14		.xxx±0.008/0.20		.100/2.54cc DR STRAIGHT	
C	ELX-N-42423	MK		09/23/21		.xxx±0.004/0.10		scale 2:1	
D	ELX-N-45076	MK		06/23/22		dr ZK HU 04/23/14		dwg no sheet 1 of 2 size	
E	ELX-N-50529	HJJ		01/25/24		enr MK XUAN 06/23/22		10129382 A4	
						chr LQ LEI 06/23/22		type Product Customer Drawing	
						appd TIM YAO 06/23/22			
sheet index	revision sheet	E	E						
		1	2						

Amphenol FCI

© 2016 AFCI

PRODUCT NUMBER	MATING LENGTH		TAIL LENGTH		BENDING DIMENSION	
	DIM F	DIM F	DIM G	DIM G	DIM H	DIM H
	ENGLISH	METRIC	ENGLISH	METRIC	ENGLISH	METRIC
10129382-XYY001XLF	0.230	5.84	0.120	3.05	0.060	1.52
10129382-XYY002XLF	0.230	5.84	0.090	2.29	0.060	1.52
10129382-XYY003XLF	0.318	8.08	0.120	3.05	0.060	1.52
10129382-XYY004XLF	0.318	8.08	0.090	2.29	0.060	1.52
10129382-XYY005XLF	0.417	10.60	0.090	2.29	0.060	1.52
10129382-XYY006XLF	0.318	8.08	0.15	3.81	0.060	1.52

PIN PLATING CODES:	
10129382-9YYXXXXLF	GOLD FLASH PLATING OVER 50u"/1.27u MIN Ni



NOTES:

- MATERIAL  
BODAY MATERIAL: HIGH TEMPERATURE THERMOPLASTIC.  
FLAME UL94-V0, BLACK.  
PIN MATERIAL: COPPER ALLOY.
- ANY NUMBER OF POSITIONS FROM 4(2X2) TO 72(2X36).  
PRODUCT MAYBE CUTTING TO POSITION,  
THE CUTTING PLASH IS 0.02[0.51] MAX.
- PACKING STYLE DEFINITION.  
B: PACKED WITH POLY BAG  
T: PACKED WITH TUBE  
A: PACKED WITH TAPE AND REEL WITH PICK UP CAP  
C: PACKED WITH TAPE AND REEL WITHOUT PICK UP CAP
- TWO SIDES OF PIN TIPS NOT PLATED, TYPICAL BOTH ENDS.
- 2LBS/0.9KG MIN PIN RETENTION IN EITHER DIRECTION BEFORE REFLOW.
- THE OAL DON'T EXCEED 1 INCH / 25.4MM.
- ADD LF AT THE END OF PART NUMBER IS FOR LEAD FREE.
- THESE PRODUCT MEETS EUROPEAN UNION DIRECTIVES AND OTHER COUNTRY REGULATION AS DESCRIBED IN GS-22-008.
- PRODUCT SPECIFICATION: GS-12-1223.
- THIS PRODUCT WILL WITHSTAND EXPOSURE TO 260°C PEAK TEMPERATURE FOR 20 SECONDS IN WAVE SOLDER, INFRA-RED OR VAPOR PHASE SOLDER PROCESS.

mat'l. code SEE NOTES 1		surface ISO 1302 ✓	tolerance ISO 406 ISO 1101	projection 	product family ECONOSTIK
ltr	ecn no	dr	date	tolerances unless otherwise specified	title
E				angles linear ...±0.01/0.3 ...±0.008/...±0.20 ...±0.004/...±0.10	ECONOSTIK HEADER .100/2.54cc DR STRAIGHT
				X°±2'	INCH/mm scale 2:1
				dr ZK HU 04/23/14	dwg no sheet 2 of 2 size
				enr MK XUAN 06/23/22	10129382 A4
				chr LQ LEI 06/23/22	type Product Customer Drawing
				appd TIM YAO 06/23/22	
sheet index	revision sheet				

Amphenol FCI

© 2016 AFCI