

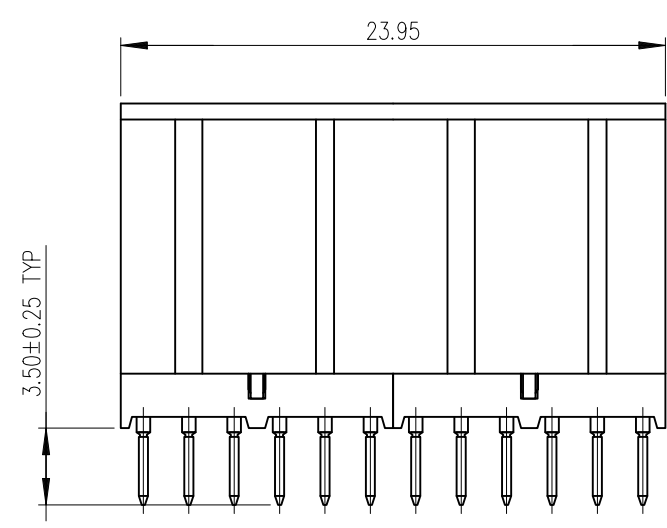
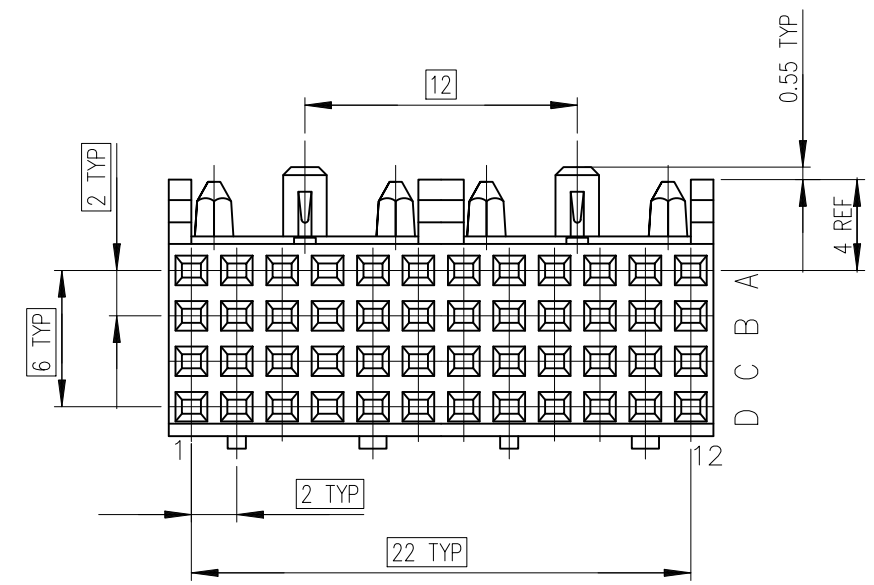
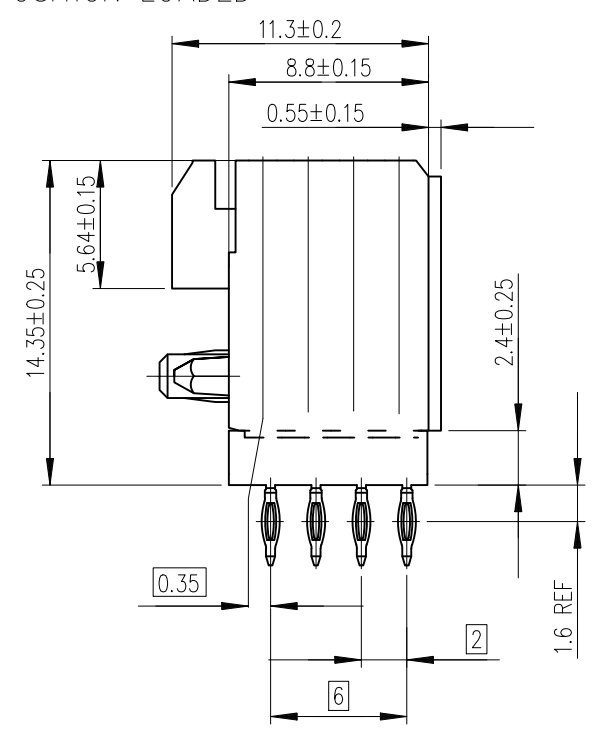


© 2016 AFCI

Part Number	CONFIGURATION												
	POS	12	11	10	9	8	7	6	5	4	3	2	1
10126492-X01LF	D	-	-	-	-	-	-	-	-	-	-	-	-
	C	-	-	-	-	-	-	-	-	-	-	-	-
	B	-	-	-	-	-	-	-	-	-	-	-	-
	A	-	-	-	-	-	-	-	-	-	-	-	-
Part Number	CONFIGURATION												
	POS	12	11	10	9	8	7	6	5	4	3	2	1
10126492-X02LF	D	-	-	-	-	-	-	-	-	-	-	-	-
	C	-	-	-	-	-	-	-	-	-	-	-	-
	B	-	-	-	-	-	-	-	-	-	-	-	-
	A	-	-	-	-	-	-	-	-	-	-	-	-

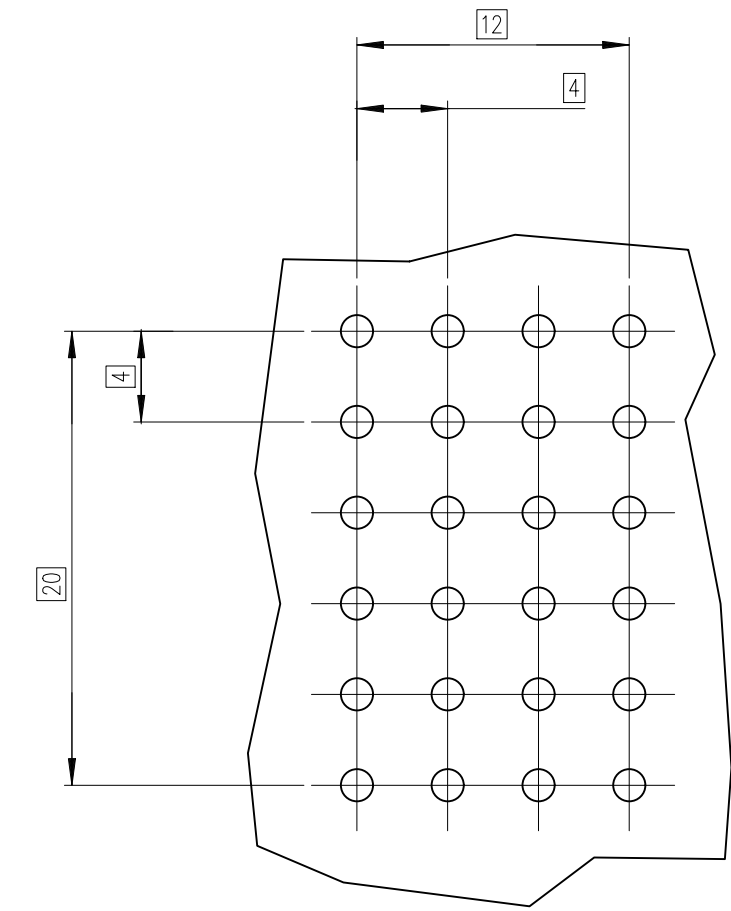
SELECTIVE CONTACT LOADING

NOTE: " - " POSITION LOADED



REFER NOTE-2

10126492-XYLFF



LAYOUT FOR P.C.B

scale : 2.0

GENERAL CHARACTERISTICS AND ROHS INFORMATIONS:
SEE GS-12-447

FOR PTH DETAILS REFER DRAWING NO : 58351.

NOTES:

- MATERIAL : BODY : LCP UL94-V0 : CONTACT : COPPER ALLOY.
- FOR PLATING SPECIFICATION REFER DRAWING NO : 10159408
- PRODUCT SPECIFICATION : GS-12-002
- THESE PRODUCTS WHERE THE PART NUMBER ENDS IN "LF" MEET THE EUROPEAN UNION DIRECTIVES AND OTHER COUNTRY REGULATIONS AS DESCRIBED IN GS-47-0004.
- A SYMBOL WILL BE NEXT TO ANY DIMENSION, VIEW, OR NOTE WHICH HAS BEEN MODIFIED WITH THE CURRENT DRAWING REVISION.

mat'l. code				surface	tolerance	projection	product family
				ISO 1302	ISO 406	ISO 1101	METRAL
ltr	ecn no	dr	date	tolerances unless otherwise specified		mm	title
A	NEW RELEASE	QINDF	2013-11-04	angles	.X±0.3		METRAL FEM. 4 ROW SL STRAIGHT PRESS FIT
B	ELX-DG-19619	MIC	2014-12-03	linear	.XX±0.13		PCB THICKNESS: 2.4 mm MINIMUM
C	ELX-I-38990	MINI	2020-11-17	0°±2°	.XXX±0.050	scale -	dwg no
				dr	MICHAEL SONG	2014-12-03	sheet 1 of 1
				enr	ARUN	2020-11-17	size
				chr	ALEX BABU	2020-11-17	10126492
				appd	SANOJ	2020-11-17	A3
							type
							Product Customer Drawing
sheet index	revision	C					
	sheet	1					