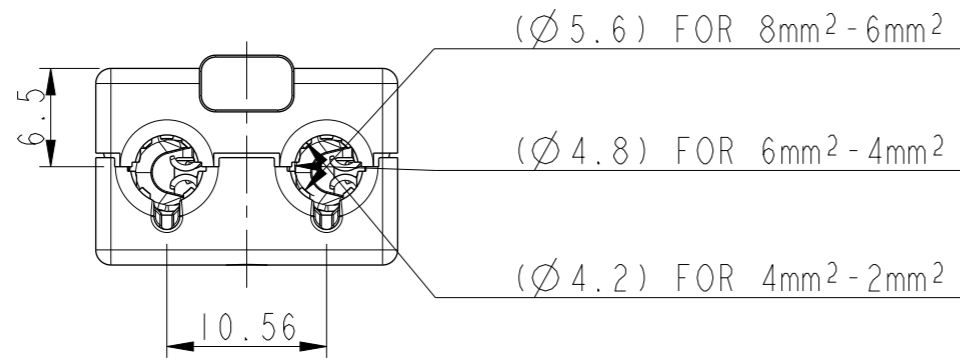


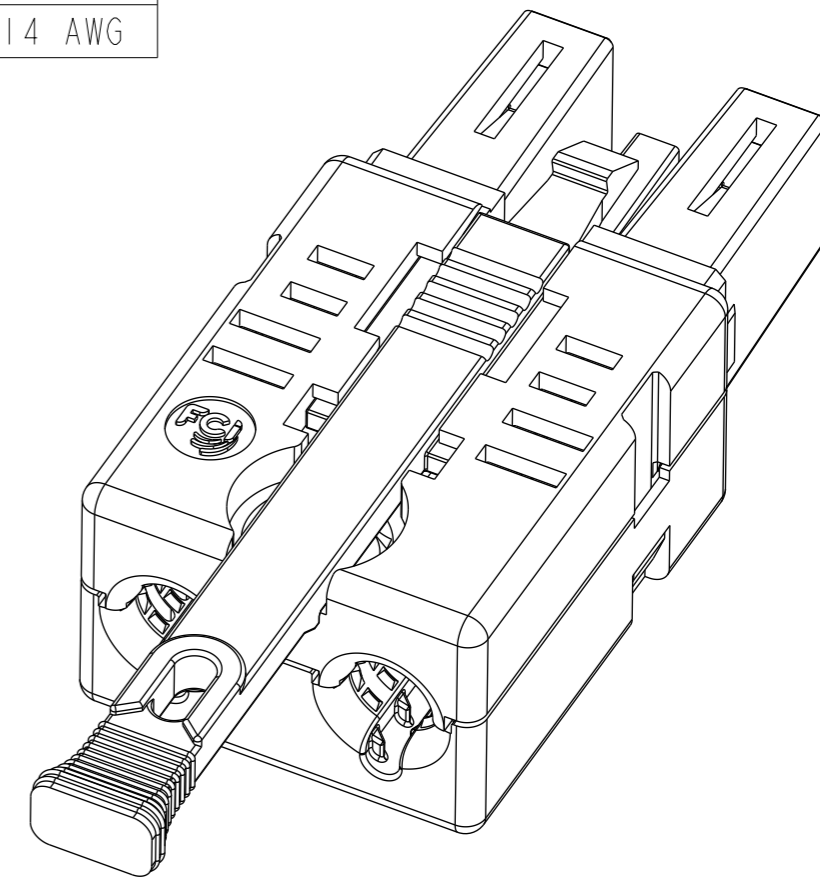
NO.	COMPONENT NAME	CABLE VERSION		6mm <sup>2</sup> - 4mm <sup>2</sup>	4mm <sup>2</sup> - 2mm <sup>2</sup>	6mm <sup>2</sup> - 4mm <sup>2</sup>	4mm <sup>2</sup> - 2mm <sup>2</sup>	8mm <sup>2</sup> - 6mm <sup>2</sup>	8mm <sup>2</sup> - 6mm <sup>2</sup>	QTY
		PART NUMBER: 10089865	-101LF	-102LF	-103LF	-104LF	-105LF	-106LF		
6	FRONT HOUSING		○	○	○	○	○	○	○	1
5	JUMPER CONTACT		○	○	X	X	○	○	X	1
4	RECEPTACLE CONTACT		○	○	○	○	○	○	○	2
3	SCREW		○	○	○	○	○	○	○	1
2	BOTTOM COVER		○	○	○	○	○	○	○	1
1	TOP COVER ASSEMBLY	LATCH SLIDE	○	○	○	○	○	○	○	1
		NUT HEXAGON	○	○	○	○	○	○	○	1
		TOP COVER	○	○	○	○	○	○	○	1
REMARK: "O" REFERS TO BE USED, AND "X"REFERS TO BE NOT USED										

RECOMMENDED CABLE SPECIFICATION		
8mm <sup>2</sup> - 6mm <sup>2</sup>	6mm <sup>2</sup> - 4mm <sup>2</sup>	4mm <sup>2</sup> - 2mm <sup>2</sup>
8-10 AWG	10-12 AWG	12-14 AWG

TOLERANCES UNLESS OTHERWISE SPECIFIED			tolerance std	material	dr	NICK ZHANG	2019-05-07	projection	mm	size	A3	scale	2:1	
linear	x.	±	ISO 406	mat code	eng	NICK ZHANG	2019-05-07			ecn no	EXL-N-33440	rel level	RELEASED	
	0.X	±0.3	ISO 1101	heattreat	chr	SINY HU	2019-05-07							
	0.XX	±0.15	surface	plating/finish	appr	TIM YAO	2019-05-07	product family			dwg no	10089865C	rev	G
	0.XXX	±0.05		spec ref	-	<b>Amphenol FCI</b>		STRAIGHT CC ASSEMBLY KIT POWER PROFILE PLUS, CABLE CONN.						
0.XXXX	±	ISO 1302	model name	10089865		cat. no.	CUSTOMER		sheet 1 of 2					
angular	0°		±2°	model revision										



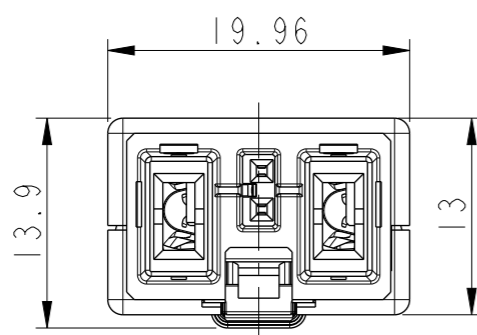
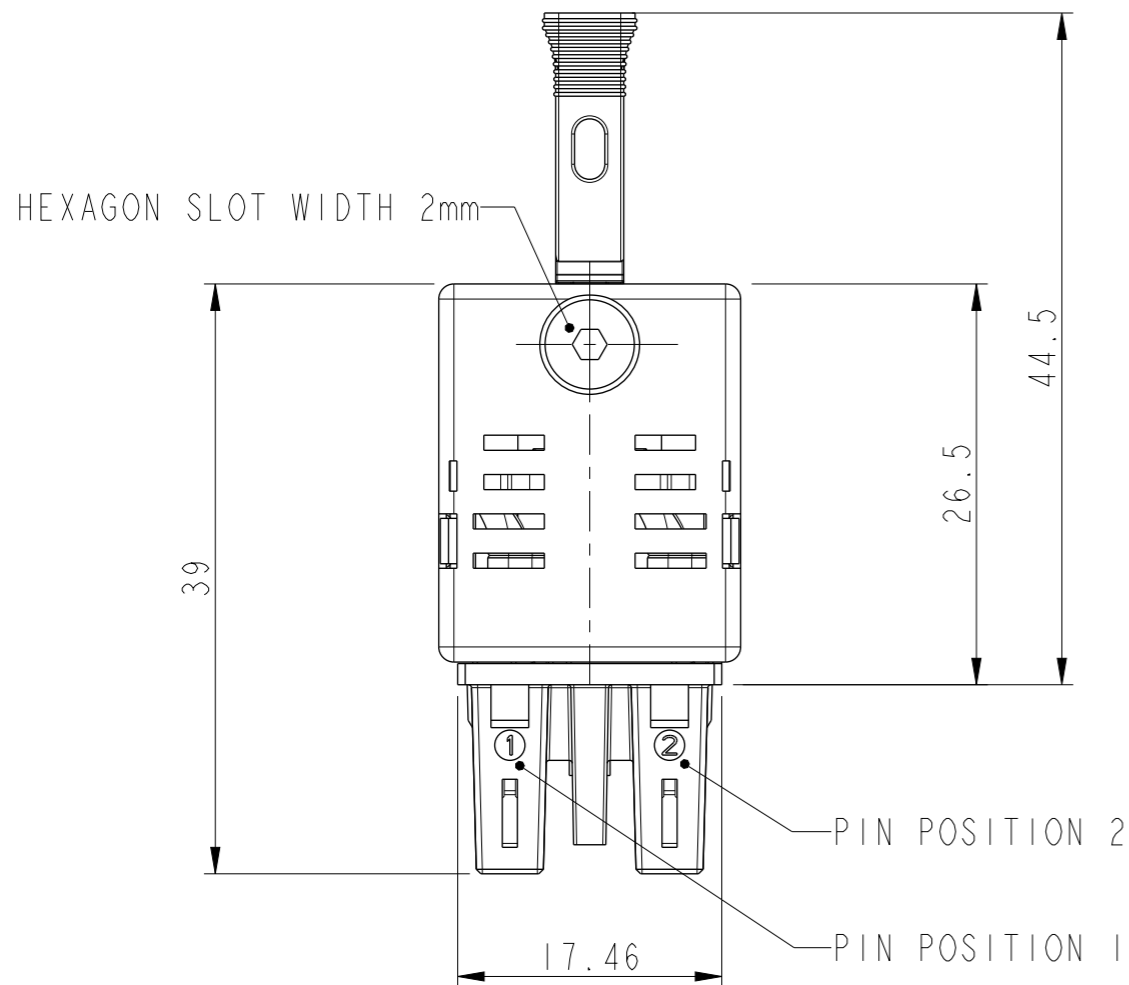
RECOMMENDED CABLE SPECIFICATION		
8mm <sup>2</sup> -6mm <sup>2</sup>	6mm <sup>2</sup> -4mm <sup>2</sup>	4mm <sup>2</sup> -2mm <sup>2</sup>
8-10 AWG	10-12 AWG	12-14 AWG



SCALE 3:1

NOTES:

1. PRODUCT SPECIFICATION: GS-12-594
2. APPLICATION SPECIFICATION: GS-20-116
3. PACKAGING SPECIFICATION: GS-14-1307
4. FLAMMABILITY CLASS: UL94-V0
5. RoHS COMPLIANT



tolerance std	material	dr	NICK ZHANG	2019-05-07	projection	mm	size	A3	scale	2:1
	mat code	eng	NICK ZHANG	2019-05-07			ecn no	EXL-N-33440		
	ISO 406	heatreat	chr	SINY HU			2019-05-07	rel level	RELEASED	
	ISO 1101	plating/finish	appr	TIM YAO			2019-05-07	product family		
surface	spec ref	<b>Amphenol</b> <b>Fci</b>			STRAIGHT CC ASSEMBLY KIT POWER PROFILE PLUS, CABLE CONN.	dwg no	10089865C	rev	G	
	model name									10089865
	model revision									
ISO 1302		cat. no.	CUSTOMER			sheet 2 of 2				