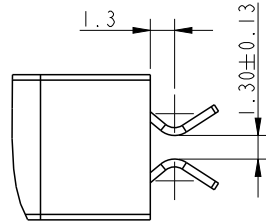
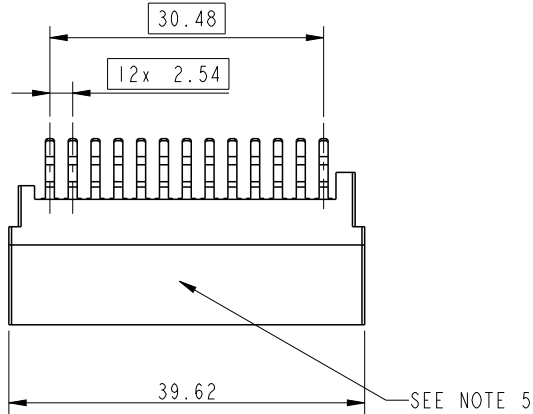
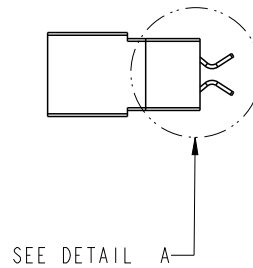
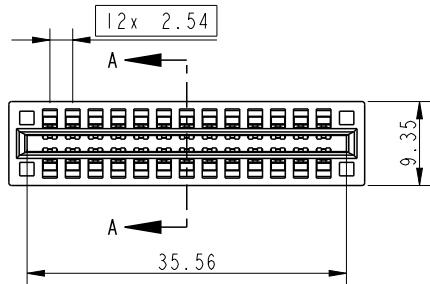


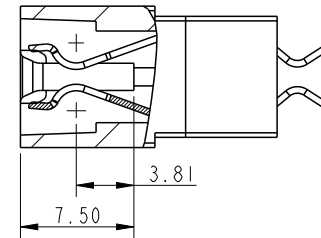
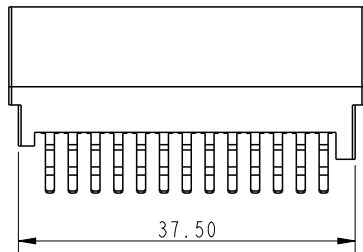
PRODUCT NUMBER
10034908-009LF



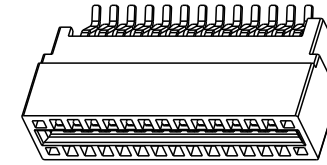
DETAIL A
SCALE 19:8



SEE DETAIL A



SECTION A-A
SCALE 2:1

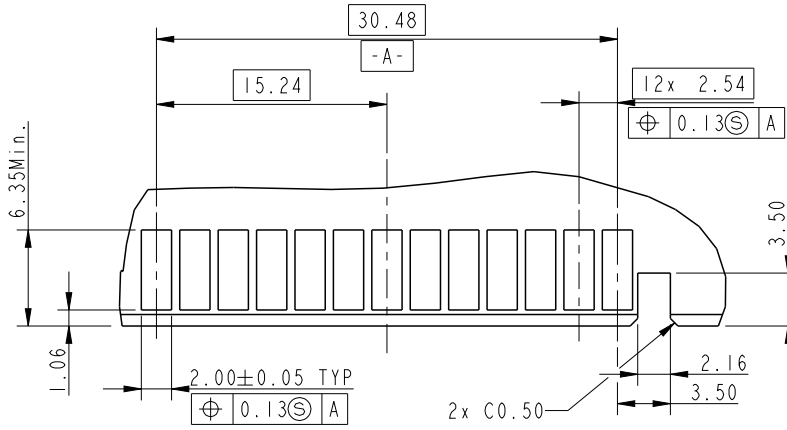


NOTE:

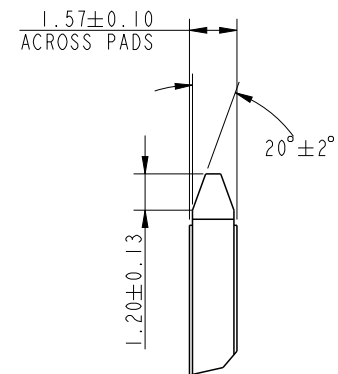
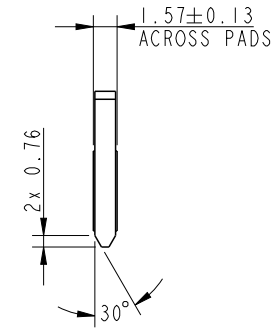
1. MATERIAL
HOUSING: HIGH TEMPERATURE THERMOPLASTIC
UL 94 V-0 FLAME RETARDANT, BLACK.
TERMINAL: HIGH CONDUCTIVITY COPPER ALLOY.
PLATING: CONTACT AREA: 30u" Au OVER 50u" Ni UNDER ALL
SOLDER TAIL: 100u" MATTE PURE TIN OVER 50u" Ni UNDER.
2. PRODUCT SPECIFICATION: GS-12-279.
3. PRODUCT PACKAGING SPEC: GS-14-937.
4. THIS CONNECTOR MEETS EUROPEAN UNION
DIRECTIVE AND OTHER COUNTRY REGULATIONS AS DESCRIBED
IN GS-22-008.
THE HOUSING WILL WITHSTAND EXPOSURE TO 260°C PEAK
TEMPERATURE FOR 10 SECONDS IN A REFLOW SOLDER APPLICATION
WITH A CIRCUIT BOARD.
5. PRODUCT MARKING ON HOUSING IN AREA SHOWN MEETS AFCI
SPECIFICATION: GS-24-007.
6. A SYMBOL WILL BE NEXT TO ANY DIMENSION, VIEW, OR NOTE
WHICH HAS BEEN MODIFIED WITH THE CURRENT DRAWING REVISION.

spec ref	*	dr	Julia Wang	2009/08/17	projection	MM ←→	size	A4	scale	1:1		
tolerance std	TOLERANCES UNLESS OTHERWISE SPECIFIED	eng	Sunny2 Liu	2016/04/12			ecn no	ELX-DG-22934-1				
		chr	Terris Liu	2016/05/20			rel level	Released				
surface	ASME Y14.5	appr	Pei-Ming Zheng	2016/05/24	product family							
	linear	0.X	±0.5	Amphenol FCI	title	SRADDLE MOUNT TYPE 13PX2		dwg no	10034908-009		rev	C
		0.XX	±0.25			POWER EDGE CARD						
		0.XXX	±0.10		cat. no.	*	Product - Customer Drw		sheet 1 of 2			
	angular	0°	±°									

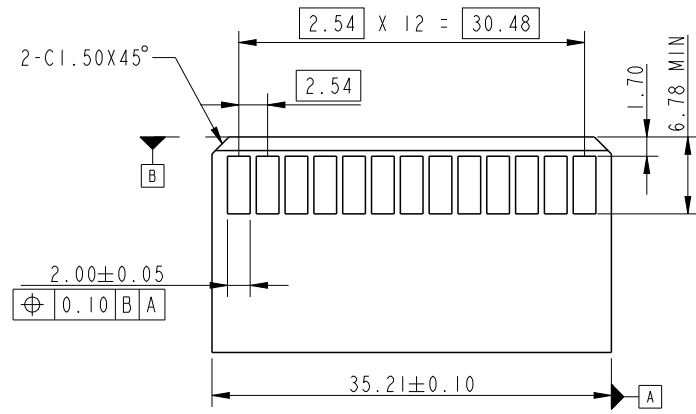
PRODUCT NUMBER
10034908-009LF



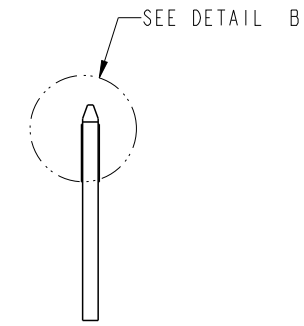
RECOMMENDED PCB LAYOUT FOR CONNECTOR MOUNTING
TYPICAL BOTH SIDES



DETAIL B
SCALE 4:1



RECOMMENDED MATING BOARD EDGE CONFIGURATION



spec ref	*	dr	Julia Wang	2009/08/17	projection	MM ←→	size	A4	scale	1:1		
tolerance std	TOLERANCES UNLESS OTHERWISE SPECIFIED	eng	Sunny2 Liu	2016/04/12			ecn no	ELX-DG-22934-1				
		chr	Terris Liu	2016/05/20				product family	rel level	Released		
surface	linear	appr	Pei-Ming Zheng	2016/05/24	title		SRADDLE MOUNT TYPE 13PX2		dwg no	10034908-009	rev	C
ASME Y14.5	angular				cat. no.		*	Product - Customer Drw	sheet 2 of 2			
	0.X											
	0.XX											
	0.XXX											
	0°											