

## Adapter Coaxial Connector N Plug, Male Pin to 4.3/10 Jack, Female Socket 50 Ohms

**RoHS  
Compliant**

Stock No.: 9200659A0147

### FEATURES

- N Male to 4.3/10 Female
- 50Ω



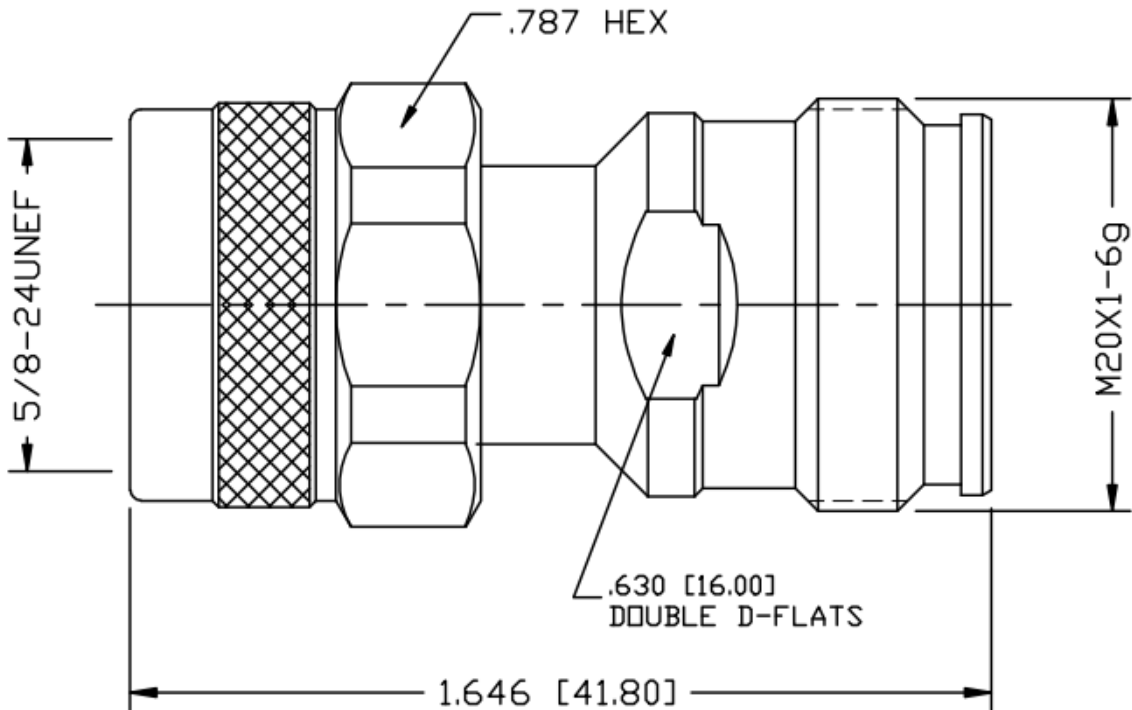
### Product Description

This N Male to 4.3/10 Female coaxial adapter provides the ability to connect between N Female and 4.3/10 Male interface. Interconnection of these interfaces is often found in test lab or in field environments where devices of differing interface types are interconnected.

### General Specifications

Attribute	Value
Adapter Type A	N
Adapter Type B	4.3/10
Gender A	Male
Gender B	Female
Impedance	50Ω
Frequency Range	6 GHz
Body Orientation	Straight
Polarity	Normal
Contact Plating	Silver
Body Plating	White Bronze
Contact Material	Phosphor Bronze
Voltage Rating	1000 Vrms
Temperature Range	-40°C ~ 155°C

## Product Drawing



## SPECIFICATIONS:

INTERFACE: IEC61169-54  
 IMPEDANCE: 50 Ohms  
 FREQUENCY RANGE: DC-6 GHz  
 VSWR MAX:  $\leq 1.15:1$  @ 3 GHz  
 3rd ORDER IM:  $\leq -160$  dBc @ 1900 MHz  
 DIELECTRIC WITHSTANDING VOLTAGE: 2000V/AC  
 INSULATION RESISTANCE: 1000M $\Omega$   
 OPERATING TEMPERATURE: -40° to +155°  
 RoHS COMPLIANT

Dimensions: Millimeters (Inches)

## Part Number Table

Part Number	Description
9200659A0147	Adapter Coaxial Connector N Plug, Male Pin to 4.3/10 Jack, Female Socket 50 Ohms

Important Notice: This data sheet and its contents (the "Information") belong to the members of the EASE group of companies (the "Group") or are licensed to it. No license is granted for the use of it other than for information purposes in connection with the products to which it relates. No license of any intellectual property rights is granted. The Information is subject to change without notice and replaces all data sheets previously supplied. The Information supplied is believed to be accurate, but the Group assumes no responsibility for its accuracy or completeness, any error in or omission from it or for any use made of it. Users of this data sheet should check for themselves the Information and the suitability of the products for their purpose and not make any assumptions based on information included or omitted. Liability for loss or damage resulting from any reliance on the Information or use of it (including liability resulting from negligence or where the Group was aware of the possibility of such loss or damage arising) is excluded. This will not operate to limit or restrict the Group's liability for death or personal injury resulting from its negligence. EASE is the registered trademark of Ease Electronics Co., Limited 2019.