

**Adapter Coaxial Connector UHF
Plug, Male Pin to UHF Plug, Male Pin
Non-Constant**

**RoHS
Compliant**

Stock No.: 9200646A0134

FEATURES

- UHF Male to UHF Male
- 50Ω



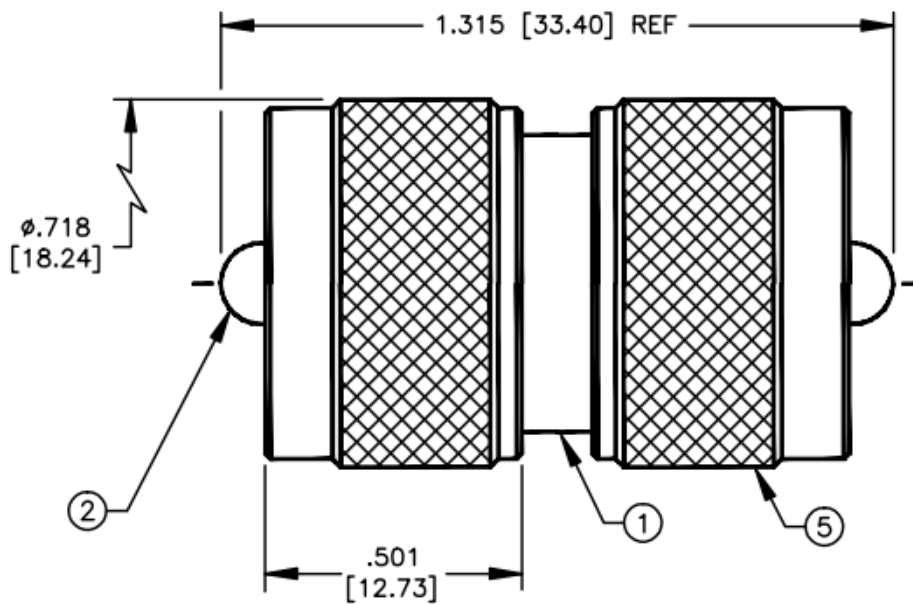
Product Description

This N Female to UHF Male coaxial adapter provides the ability to connect between N Male and UHF Female interface. Interconnection of these interfaces is often found in test lab or in field environments where devices of differing interface types are interconnected.

General Specifications

Attribute	Value
Adapter Type A	UHF
Adapter Type B	UHF
Gender A	Male
Gender B	Male
Impedance	50Ω
Frequency Range	300 MHz
Body Orientation	Straight
Polarity	Normal
Contact Plating	Silver
Body Plating	Nickel
Contact Material	Brass
Voltage Rating	500 VRMS
Temperature Range	-40°C ~ 155°C

Product Drawing



SPECIFICATIONS:

IMPEDANCE: NON CONSTANT
 WORKING VOLTAGE: 500 VRMS @ SEA LEVEL
 FREQUENCY RANGE: 0-300 MHz

Dimensions: Millimeters (Inches)

Part Number Table

Part Number	Description
9200646A0134	Adapter Coaxial Connector UHF Plug, Male Pin to UHF Plug, Male Pin Non-Constant

Important Notice: This data sheet and its contents (the "Information") belong to the members of the EASE group of companies (the "Group") or are licensed to it. No license is granted for the use of it other than for information purposes in connection with the products to which it relates. No license of any intellectual property rights is granted. The Information is subject to change without notice and replaces all data sheets previously supplied. The Information supplied is believed to be accurate, but the Group assumes no responsibility for its accuracy or completeness, any error in or omission from it or for any use made of it. Users of this data sheet should check for themselves the Information and the suitability of the products for their purpose and not make any assumptions based on information included or omitted. Liability for loss or damage resulting from any reliance on the Information or use of it (including liability resulting from negligence or where the Group was aware of the possibility of such loss or damage arising) is excluded. This will not operate to limit or restrict the Group's liability for death or personal injury resulting from its negligence. EASE is the registered trademark of Ease Electronics Co., Limited 2019.