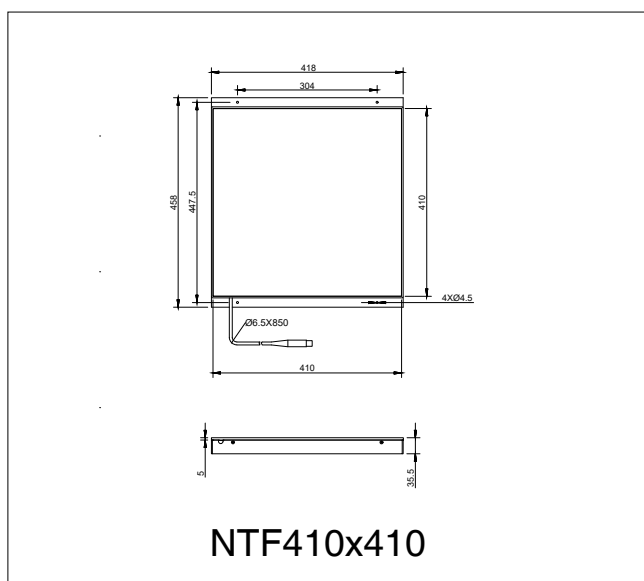
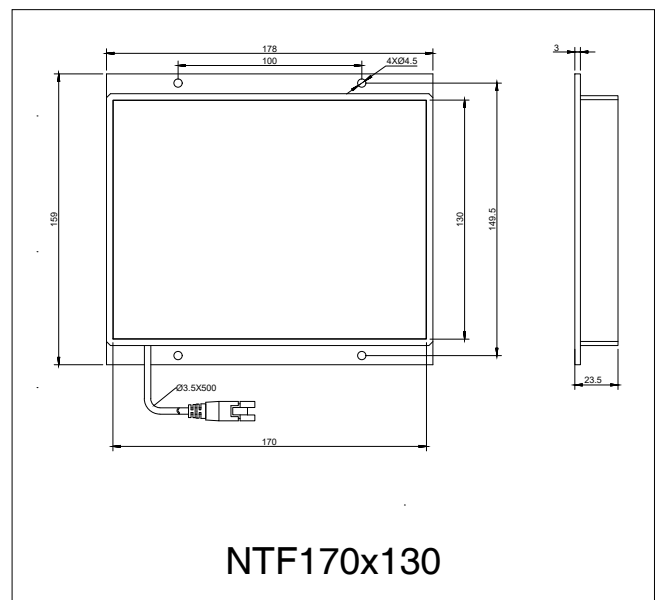
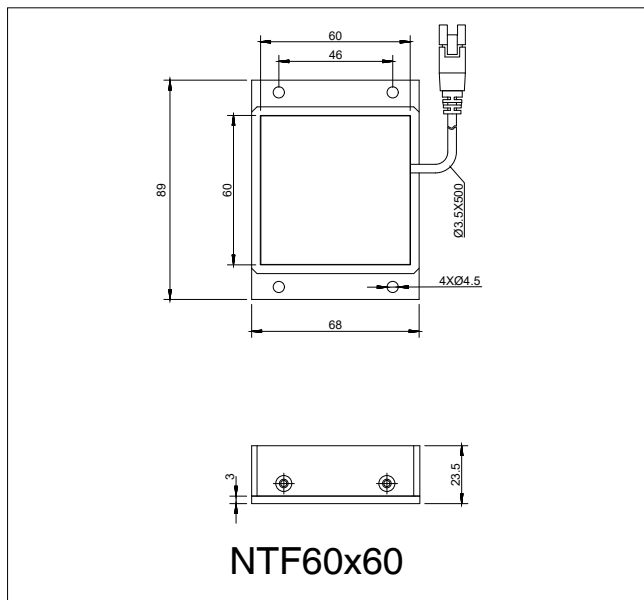


Remark: All LED light source are with ultra-soft and good quality cable, different length for optional.

Back Light



| Model | Size (mm*mm*mm) | Working area (mm*mm) | Current (<A) | Power (<W) | Color | Operating Temperature | Storage Temperature |
|---------------|-----------------|----------------------|--------------|------------|-------|-----------------------|---------------------|
| NTF-C60L60W | 89*68*23.5 | 60*60 | 0.23 | 5.5 | White | 0~40℃ | -20~60℃ |
| NTF-C170L130W | 178*159*23.5 | 170*130 | 0.79 | 18.9 | White | | |
| NTF-C410L410W | 458*418*35.5 | 410*410 | 2 | 36 | White | | |

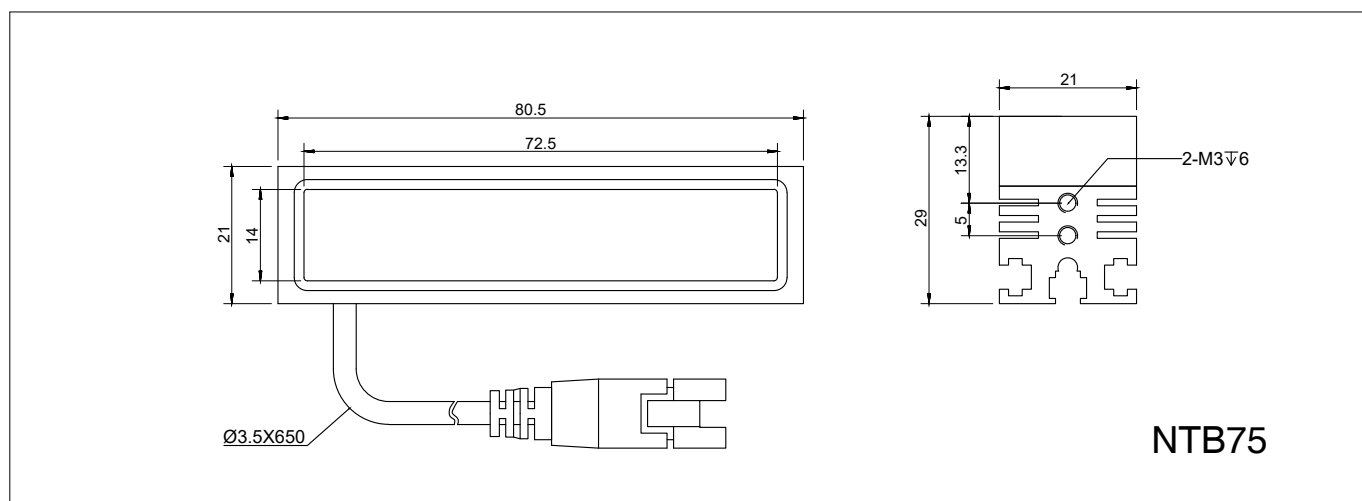


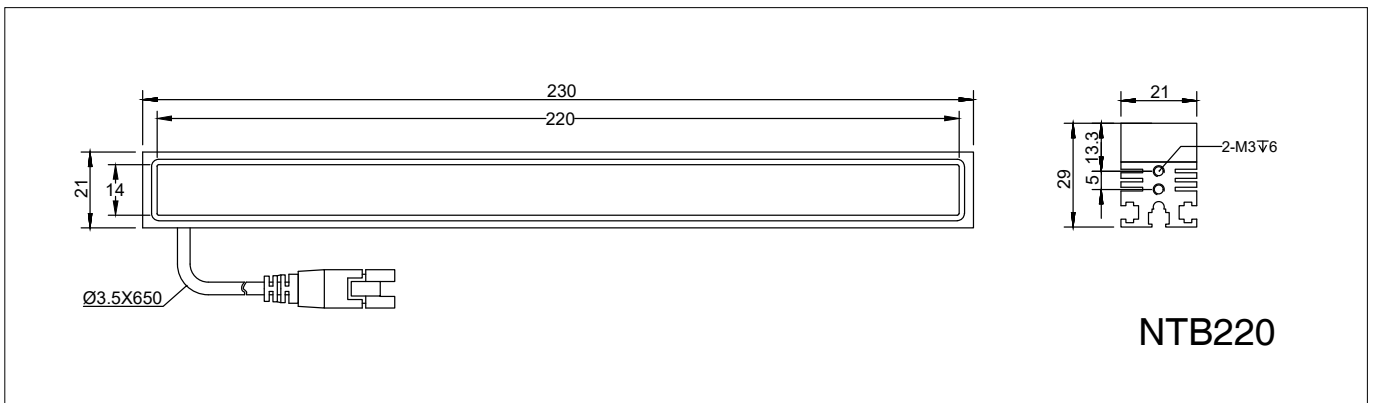
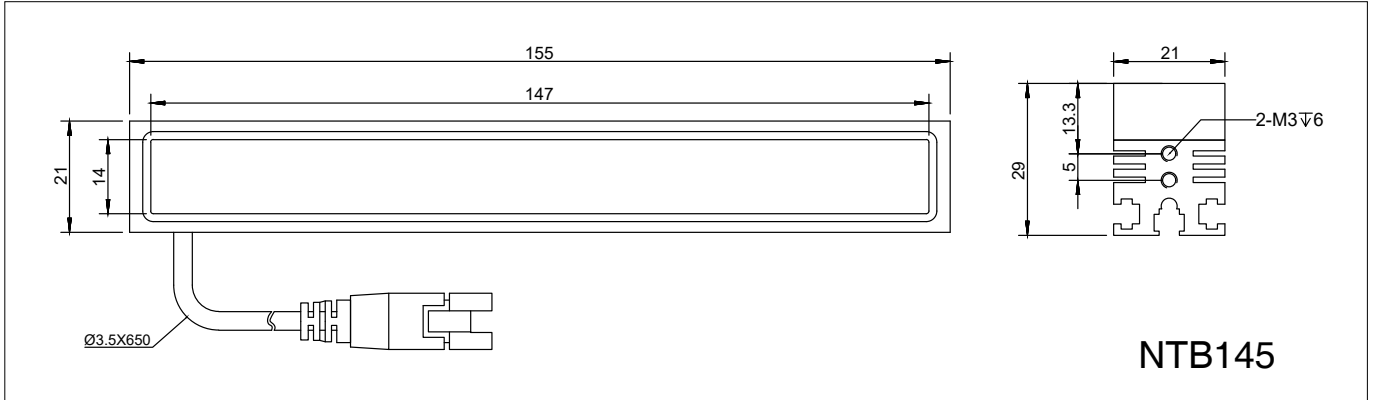
All LED light source are with ultra-soft good quality cable, different length for optional.

Bar Light



| Model | Size(mm*mm*mm) | Working area (mm*mm) | Current (<A) | Power (<W) | Color | Operating Temperature | Storage Temperature |
|-----------|----------------|----------------------|--------------|------------|-------|-----------------------|---------------------|
| NTB-C75W | 80.5*21*29 | 72.5*14 | 0.21 | 3.9 | White | 0~40℃ | -20~60℃ |
| NTB-C75B | 80.5*21*29 | 72.5*14 | 0.21 | 3.9 | Blue | | |
| NTB-C75R | 80.5*21*29 | 72.5*14 | 0.21 | 3 | Red | | |
| NTB-C75G | 80.5*21*29 | 72.5*14 | 0.21 | 3.9 | Green | | |
| NTB-C145W | 155*21*29 | 147*14 | 0.42 | 8.4 | White | | |
| NTB-C145B | 155*21*29 | 147*14 | 0.42 | 8.4 | Blue | | |
| NTB-C145R | 155*21*29 | 147*14 | 0.42 | 6.8 | Red | | |
| NTB-C145G | 155*21*29 | 147*14 | 0.42 | 8.4 | Green | | |
| NTB-C220W | 230*21*29 | 220*14 | 0.53 | 11.6 | White | | |
| NTB-C220B | 230*21*29 | 220*14 | 0.53 | 11.6 | Blue | | |
| NTB-C220R | 230*21*29 | 220*14 | 0.53 | 9.8 | Red | | |
| NTB-C220G | 230*21*29 | 220*14 | 0.53 | 11.6 | Green | | |

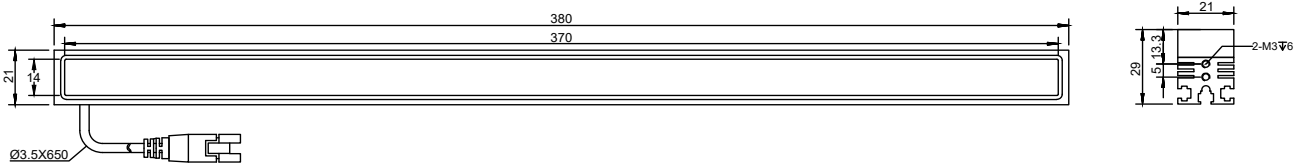




Longer Bar Light



| Model | Size(mm*mm*mm) | Working area (mm*mm) | Current (<A) | Power (<W) | Color | Operating Temperature | Storage Temperature |
|-----------|----------------|----------------------|--------------|------------|-------|-----------------------|---------------------|
| NTB-C370W | 380*21*29 | 370*14 | 0.95 | 20.6 | White | 0~40 ℃ | -20~60 ℃ |
| NTB-C370B | 380*21*29 | 370*14 | 0.95 | 20.6 | Blue | | |
| NTB-C370R | 380*21*29 | 370*14 | 0.95 | 20.1 | Red | | |
| NTB-C370G | 380*21*29 | 370*14 | 0.95 | 20.6 | Green | | |

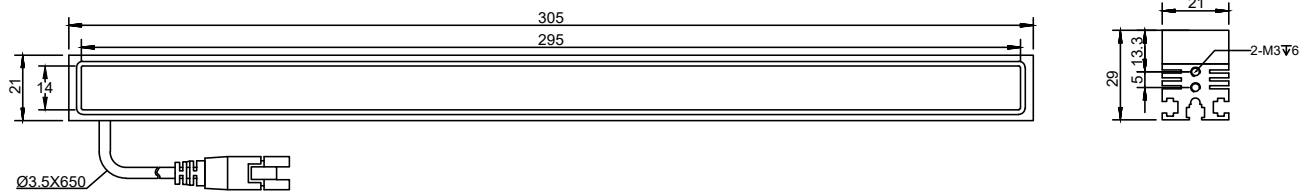


NTB370

Longer Bar Light



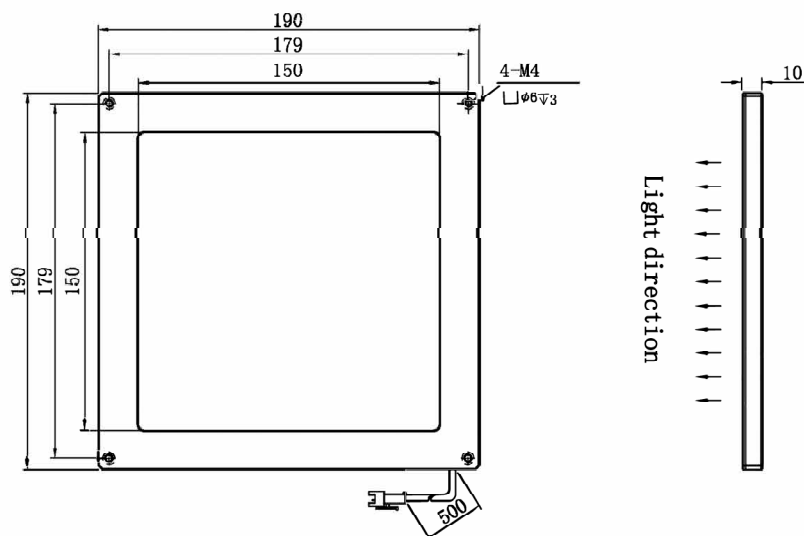
| Model | Size(mm*mm*mm) | Working area (mm*mm) | Current (<A) | Power (<W) | Color | Operating Temperature | Storage Temperature |
|-----------|----------------|----------------------|--------------|------------|-------|-----------------------|---------------------|
| NTB-C295W | 305*21*29 | 295*14 | 0.72 | 16.6 | White | 0~40℃ | -20~60℃ |
| NTB-C295B | 305*21*29 | 295*14 | 0.72 | 16.6 | Blue | | |
| NTB-C295R | 305*21*29 | 295*14 | 0.72 | 15.7 | Red | | |
| NTB-C295G | 305*21*29 | 295*14 | 0.72 | 16.6 | Green | | |



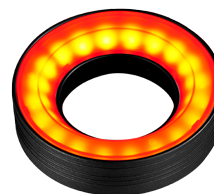
NTB295

Flat Dome Light

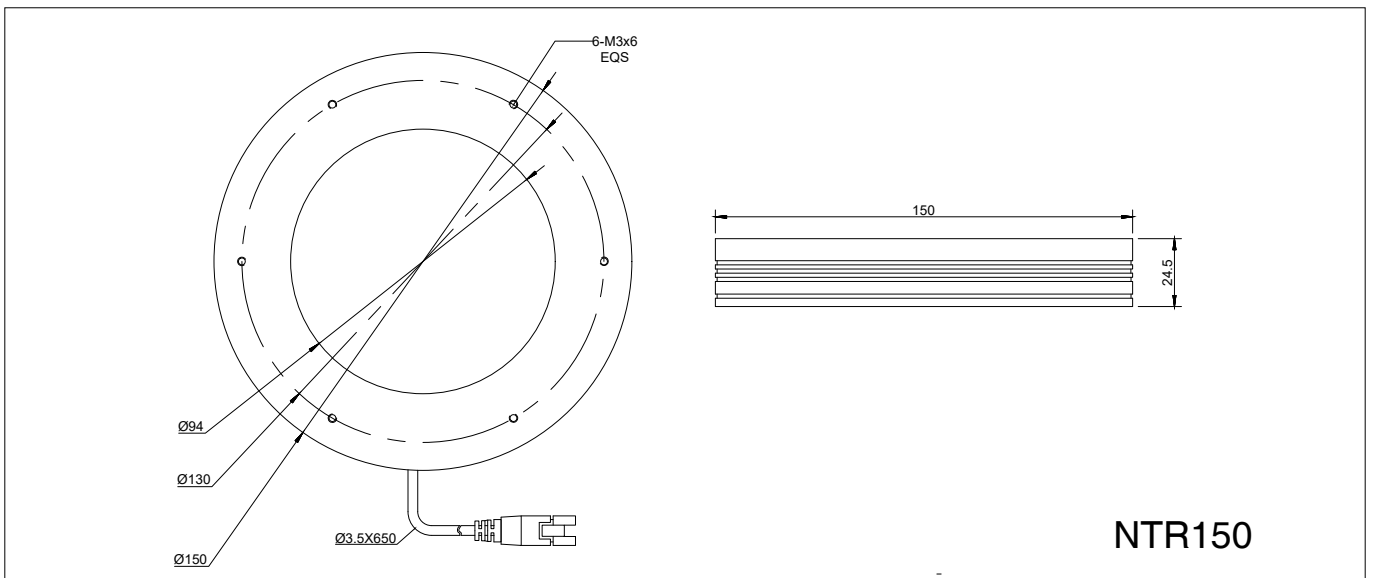
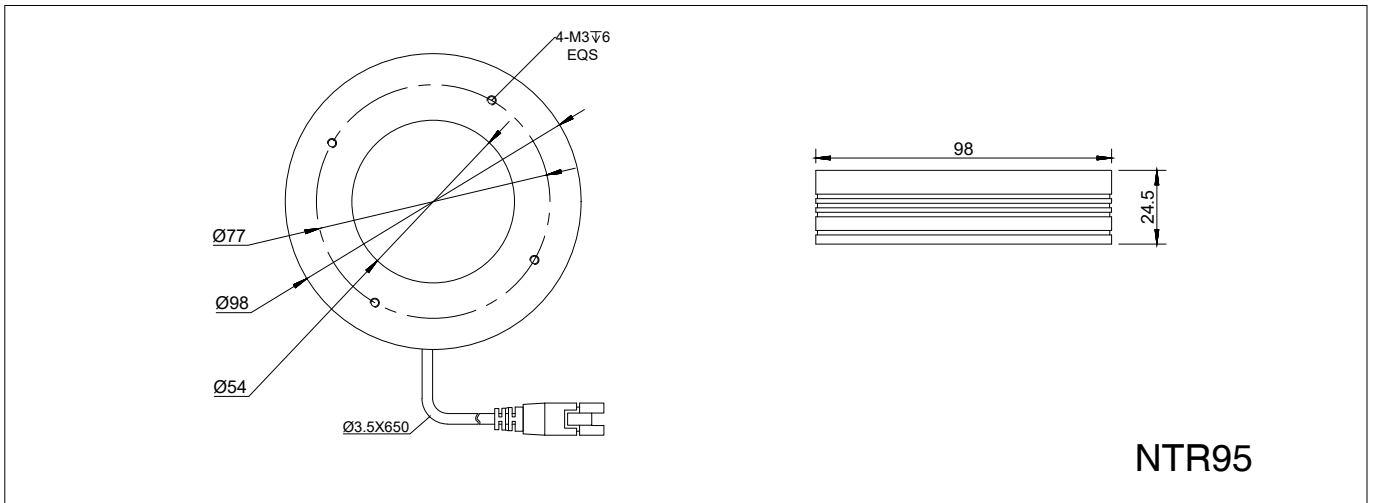
| | |
|-----------------------------|---|
| Model | NTFD-C150L150W-S |
| Color | White |
| LED Wavelength | 6500K Typ |
| Voltage | DC 24V |
| Current Consumption | 1.4A max |
| Power Consumption | 33.6W |
| Cable length | 500mm(0mm, -35mm) |
| Input Connector | SMR-03V-B(JST,3pin) |
| Input Port Definition | 1:Anode(+)Red 2:NC 3:Cathode(-)Black |
| Cooling Type | Natural air cooling(Special heat dissipation structure) |
| Working Environment | Temperature 0~40°C / Humidity 20%~85% RH (Non-condensation) |
| Storage Environment | Temperature -20~60°C / Humidity 20%~85% RH (Non-condensation) |
| Dimension | Refer to size drawing for product installation |
| Environmental Specification | RoHS directive applied |



Ring Light



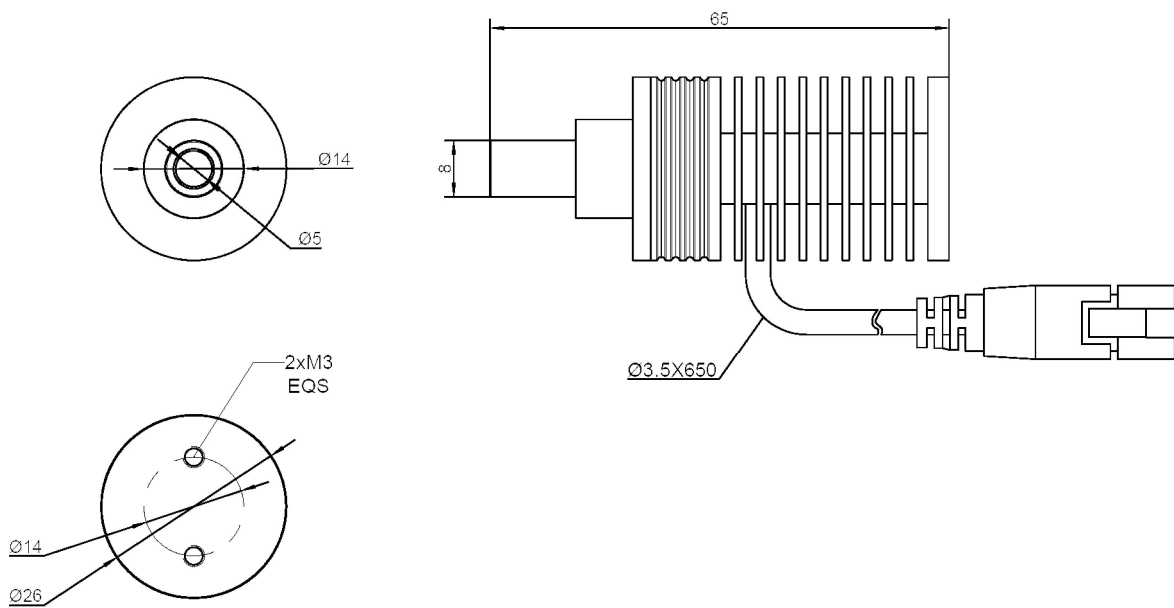
| Model | Size (mm*mm*mm) | Current (<A) | Power (<W) | Angle | Color | Operating Temperature | Storage Temperature |
|-------------|-----------------|--------------|------------|-------|-------|-----------------------|---------------------|
| NTR-C95W-A | Ø98*Ø54*24.5 | 0.7 | 11.3 | 0° | White | 0~40℃ | -20~60℃ |
| NTR-C95W-P | Ø98*Ø54*24.5 | 0.7 | 11.3 | 0° | White | | |
| NTR-C95B-A | Ø98*Ø54*24.5 | 0.7 | 11.3 | 0° | Blue | | |
| NTR-C95B-P | Ø98*Ø54*24.5 | 0.7 | 11.3 | 0° | Blue | | |
| NTR-C95R-A | Ø98*Ø54*24.5 | 0.5 | 10 | 0° | Red | | |
| NTR-C95R-P | Ø98*Ø54*24.5 | 0.5 | 10 | 0° | Red | | |
| NTR-C95G-A | Ø98*Ø54*24.5 | 0.7 | 11.3 | 0° | Green | | |
| NTR-C95G-P | Ø98*Ø54*24.5 | 0.7 | 11.3 | 0° | Green | | |
| NTR-C150W-A | Ø150*Ø94*24.5 | 1 | 18.8 | 0° | White | | |
| NTR-C150W-P | Ø150*Ø94*24.5 | 1 | 18.8 | 0° | White | | |
| NTR-C150B-A | Ø150*Ø94*24.5 | 1 | 18.8 | 0° | Blue | | |
| NTR-C150B-P | Ø150*Ø94*24.5 | 1 | 18.8 | 0° | Blue | | |
| NTR-C150R-A | Ø150*Ø94*24.5 | 1 | 18.8 | 0° | Red | | |
| NTR-C150R-P | Ø150*Ø94*24.5 | 1 | 18.8 | 0° | Red | | |
| NTR-C150G-A | Ø150*Ø94*24.5 | 1 | 18.8 | 0° | Green | | |
| NTR-C150G-P | Ø150*Ø94*24.5 | 1 | 18.8 | 0° | Green | | |



Spot Light

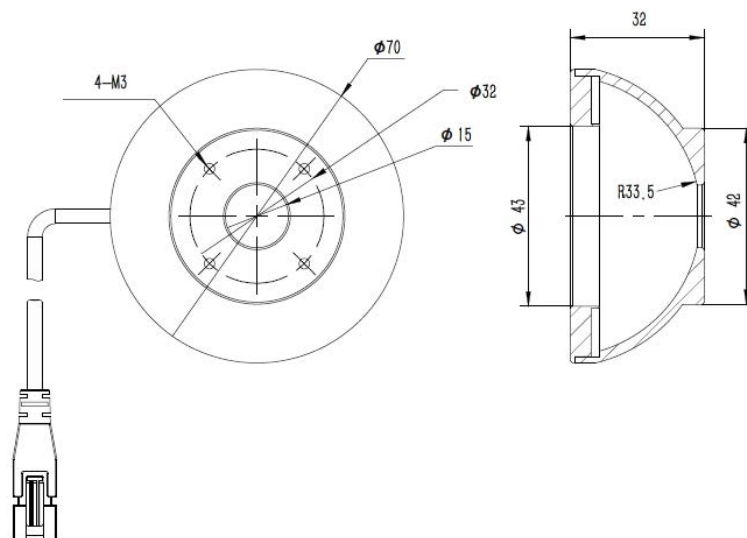


| Model | Size (mm*mm) | Working area (mm) | Current (<A) | Power (<W) | Color | Operating Temperature | Storage Temperature |
|----------|--------------|-------------------|--------------|------------|-------|-----------------------|---------------------|
| NTS-C26W | Ø26*65 | Ø5 | 1 | 3 | White | 0~40 C | -20~60 C |
| NTS-C26B | Ø26*65 | Ø5 | 1 | 3 | Blue | | |
| NTS-C26R | Ø26*65 | Ø5 | 1 | 3 | Red | | |
| NTS-C26G | Ø26*65 | Ø5 | 1 | 3 | Green | | |



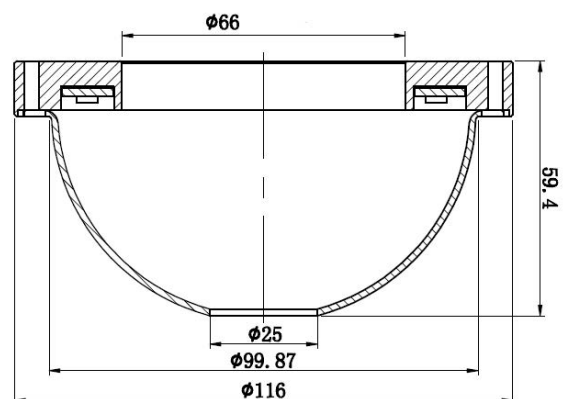
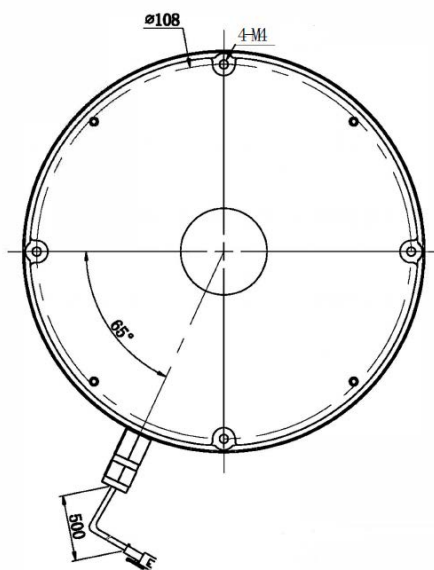
Dome Light

| | |
|-----------------------------|---|
| Model | NTD-C70W-S |
| Color | White |
| LED Wavelength | 6500K Typ |
| Input Voltage | DC 24V |
| Current Consumption | 0.075A max |
| Power Consumption | 1.8W max |
| Cable length | 500mm(0mm, -35mm) |
| Input Connector | SMR-03V-B |
| Input Port Definition | 1:Anode(+)Red 2:NC 3:Cathode(-)Black |
| Cooling Type | Natural air cooling(Special heat dissipation structure) |
| Working Environment | Temperature 0~40°C / Humidity 20%~85% RH (Non-condensation) |
| Storage Environment | Temperature -20~60°C / Humidity 20%~85% RH (Non-condensation) |
| Dimension | Refer to size drawing for product installation |
| Environmental Specification | RoHS directive applied(REACH not applied) |



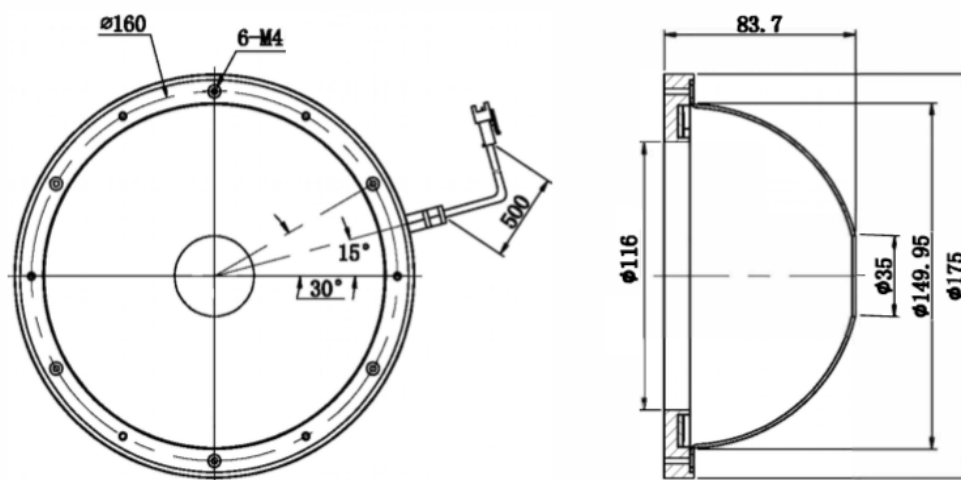
Dome Light

| | |
|-----------------------------|---|
| Model | NTD-C116W-S |
| Color | White |
| LED Wavelength | 6500K Typ |
| Input Voltage | DC 24V |
| Current Consumption | 0.3A max |
| Power Consumption | 9.7W |
| Cable length | 500mm(0mm, -35mm) |
| Input Connector | SMR-03V-B |
| Input Port Definition | 1:Anode(+)Red 2:NC 3:Cathode(-)Black |
| Cooling Type | Natural air cooling(Special heat dissipation structure) |
| Working Environment | Temperature 0~40°C / Humidity 20%~85% RH (Non-condensation) |
| Storage Environment | Temperature -20~60°C / Humidity 20%~85% RH (Non-condensation) |
| Dimension | Refer to size drawing for product installation |
| Environmental Specification | RoHS directive applied(REACH not applied) |



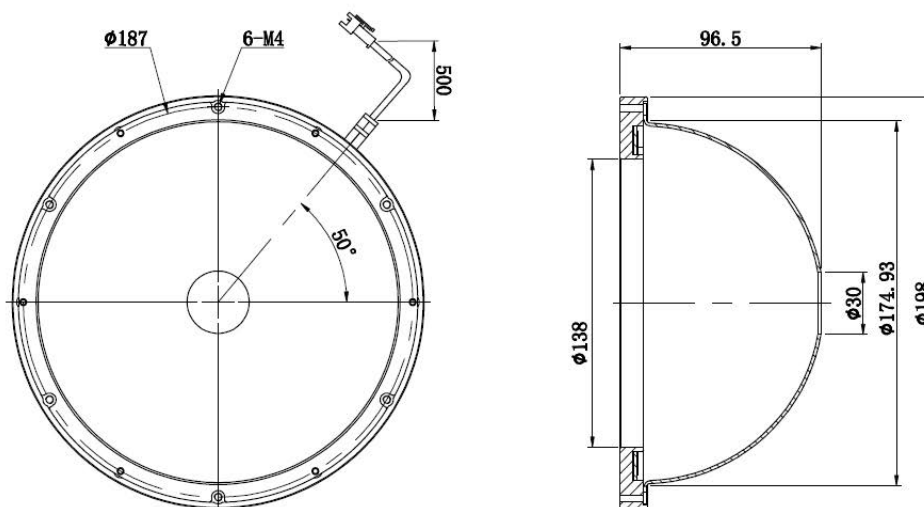
Dome Light

| | |
|-----------------------------|---|
| Model | NTD-C175W-S |
| Color | White |
| LED Wavelength | 6500K Typ |
| Input Voltage | DC 24V |
| Current Consumption | 0.5A max |
| Power Consumption | 12W max |
| Cable length | 500mm(0mm, -35mm) |
| Input Connector | SMR-03V-B |
| Input Port Definition | 1:Anode(+)Red 2:NC 3:Cathode(-)Black |
| Cooling Type | Natural air cooling(Special heat dissipation structure) |
| Working Environment | Temperature 0~40°C / Humidity 20%~85% RH (Non-condensation) |
| Storage Environment | Temperature -20~60°C / Humidity 20%~85% RH (Non-condensation) |
| Dimension | Refer to size drawing for product installation |
| Environmental Specification | RoHS directive applied(REACH not applied) |



Dome Light

| | |
|-----------------------------|---|
| Model | NTD-C198W-S |
| Color | White |
| LED Wavelength | 6500K Typ |
| Input Voltage | DC 24V |
| Current Consumption | 0.6A max |
| Power Consumption | 15W max |
| Cable length | 500mm(0mm, -35mm) |
| Input Connector | SMR-03V-B |
| Input Port Definition | 1:Anode(+)Red 2:NC 3:Cathode(-)Black |
| Cooling Type | Natural air cooling(Special heat dissipation structure) |
| Working Environment | Temperature 0~40°C / Humidity 20%~85% RH (Non-condensation) |
| Storage Environment | Temperature -20~60°C / Humidity 20%~85% RH (Non-condensation) |
| Dimension | Refer to size drawing for product installation |
| Environmental Specification | RoHS directive applied(REACH not applied) |



Dome Light

| | |
|-----------------------------|---|
| Model | NTD-C260W-S |
| Color | White |
| LED Wavelength | 6500K Typ |
| Input Voltage | DC 24V |
| Current Consumption | 0.7A max |
| Power Consumption | 17W max |
| Cable length | 500mm(0mm, -35mm) |
| Input Connector | SMR-03V-B |
| Input Port Definition | 1:Anode(+)Red 2:NC 3:Cathode(-)Black |
| Cooling Type | Natural air cooling(Special heat dissipation structure) |
| Working Environment | Temperature 0~40°C / Humidity 20%~85% RH (Non-condensation) |
| Storage Environment | Temperature -20~60°C / Humidity 20%~85% RH (Non-condensation) |
| Dimension | Refer to size drawing for product installation |
| Environmental Specification | RoHS directive applied(REACH not applied) |

