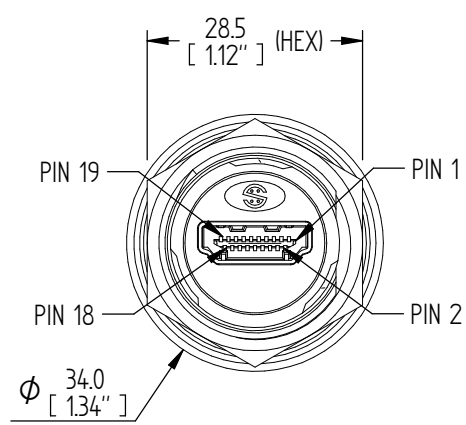
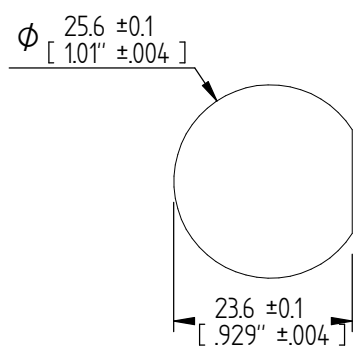
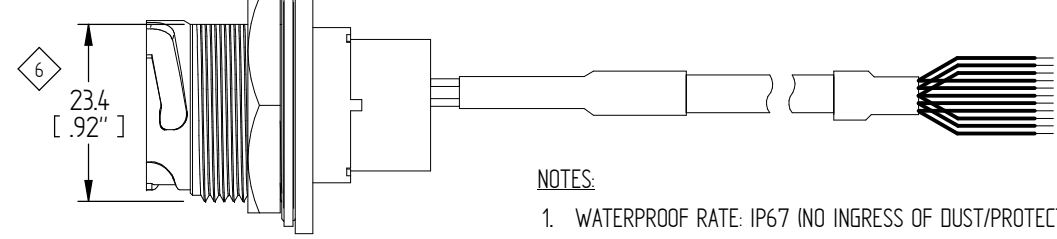
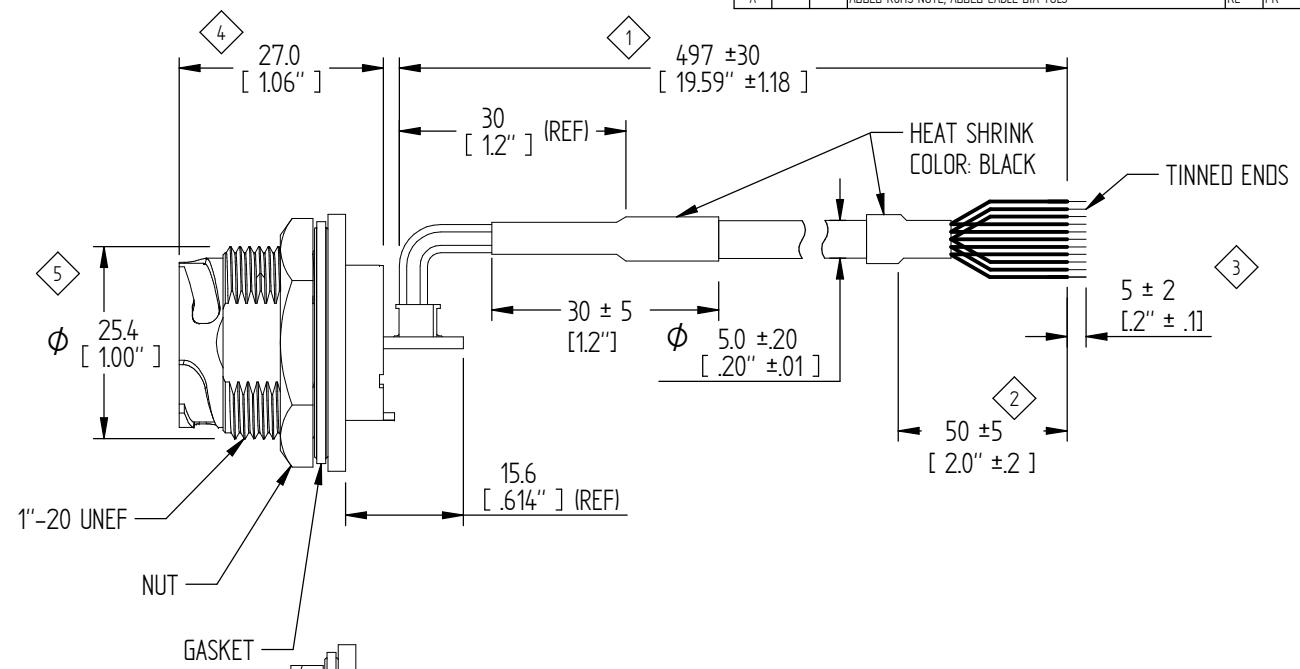


REVISIONS				REV	ZONE	ECO#	DESCRIPTION	DRAW	APPD	DATE
-			INITIAL RELEASE	KC	PK	11/11/16				
A			ADDED RoHS NOTE, ADDED CABLE DIA TOLS	KC	PK	2/15/17				

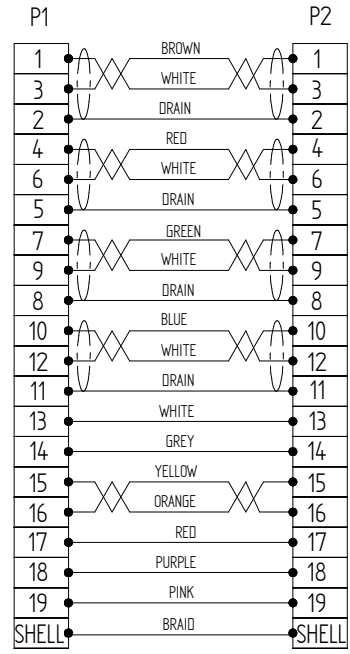


HDMI JACK



RECOMMENDED PANEL CUT-OUT

SCHMATIC



NOTES:

1. WATERPROOF RATE: IP67 (NO INGRESS OF DUST/PROTECTED AGAINST HARMFUL EFFECT CAUSED IN 1 METER WATER WITHIN 30 MINUTES)
2. TEMPERATURE RANGE: -20°C TO +80°C
3. MAX PANEL THICKNESS: 4.5MM (WITHOUT CAP CHAIN)
4. MATERIAL: HOUSING: NYLON, BLACK NUT: NYLON, BLACK GASKET: SILICONE, GRAY HDMI JACK: COPPER ALLOY, GOLD PLATING
5. CABLE: UL20276 (32AWG\*1P+DRAIN+AL.MYLAR)\*4+32AWG\*1P+32AWG\*5C +AL.MYLAR+BRAID, PVC BLACK, OD=Φ5.0MM
6. ITEMS IDENTIFIED WITH DIAMOND (◇...◇) MUST BE INSPECTED.
7. REFERENCE PACKAGING SPECIFICATIONS PER DOC# PKG-001
8. RoHS COMPLIANT.

PART NUMBER		IPHOM-FL	
TITLE	JACK, PNL HDMI W / 0.5M LEADS	REV	A
UNLESS OTHERWISE SPECIFIED, DIMENSIONS ARE IN MM			
TOLERANCE EXCEPT AS NOTED:	DECIMAL X ±0.25 XX ±0.1 XXX ±0.05 ANGLES ±P	DATE	11/11/2016
IMPERIAL DIMENSIONS ARE FOR REFERENCE ONLY		ENGINEER	DKAPLACHINSKI
THIRD ANGLE PROJECTION	DATE	11/11/2016	DATE
DATE	2A589	SCALE	1:1
SIZE	A	NTS	SHEET 1 OF 1
REV	A	APPD	P.KIM
2180 Hornig Road, Philadelphia, PA 19116 NOTICE OF CONFIDENTIALITY THIS DRAWING IS THE PROPERTY OF PEI-GENESIS. ALL RIGHTS RESERVED. REPRODUCTION BY ANY MEANS OR DISTRIBUTION TO THIRD PARTIES IS STRICTLY PROHIBITED WITHOUT THE WRITTEN PERMISSION OF AN AUTHORIZED AGENT OF PEI-GENESIS.			