



# 75x75x30mm

- **Airflow: 9.7~16.5 CFM**
- **Static Pressure: 5.5~20.3 mm-H<sub>2</sub>O**
- **Blade / Housing:**  
Plastic Material UL 94V-0 P.B.T.
- **Lead Wire: UL1007 #26 AWG**
- **Weight: 88.9 g**

DC AXIAL FAN

DC BLOWER

Model No.	Bearing	Rated Voltage	Operating Voltage Range	Speed	Max. Airflow	Max. Static Pressure	Current	Power Consumption	Life at 40°C L10	P-Q Curve	Noise Level
		VDC	VDC	RPM	CFM	mm-H <sub>2</sub> O	mA	W	Hour		dB(A)
BW08030012BL	2B	12	7~13.2	2400	9.7	5.5	110	1.32	80000	4	37.0
BW08030012BM	2B		7~13.2	3000	12.2	10.3	190	2.28	80000	3	42.0
BW08030012BH	2B		7~13.2	3400	14.0	13.7	270	3.24	75000	2	44.5
BW08030012BS	2B		7~13.2	4000	16.5	20.3	360	4.32	65000	1	48.0
BW08030024BL	2B	24	12~26.4	2400	9.7	5.5	60	1.44	80000	4	37.0
BW08030024BM	2B		12~26.4	3000	12.2	10.3	110	2.64	80000	3	42.0
BW08030024BH	2B		12~26.4	3400	14.0	13.7	150	3.60	75000	2	44.5
BW08030024BS	2B		12~26.4	4000	16.5	20.3	200	4.80	65000	1	48.0

2B: 2-ball bearing L: sintetico bearing S: sleeve bearing

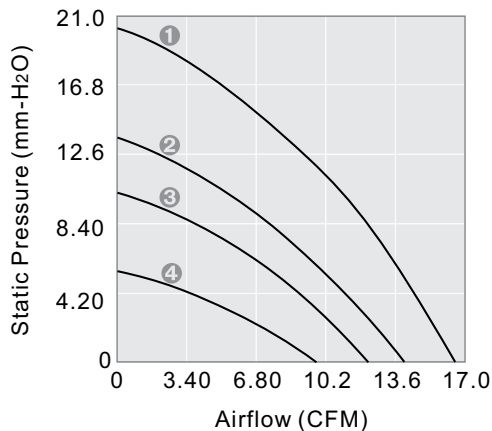
**Voltage Available**  
05 12 24 48

**Bearing System Available**  
2B L S

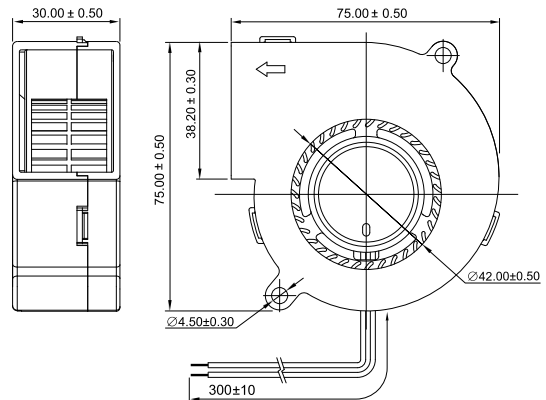
**Function Available**  
1 6 5 4 3 2 7 8 9 10 11 14 12 13

XTREME SERIES

### PERFORMANCE P-Q CURVE



### OUTLINE DIMENSIONS



Please refer to *Model Numbering System* for bearing, function and speed level indication. Specifications are subject to changes without notice. Please refer to the formally issued product specification via contacting Y.S. TECH sales department. Visit Y.S. TECH web site at <http://www.ystechusa.com/> for updated information. Customized Specifications are designed accordingly.

AC AXIAL FAN