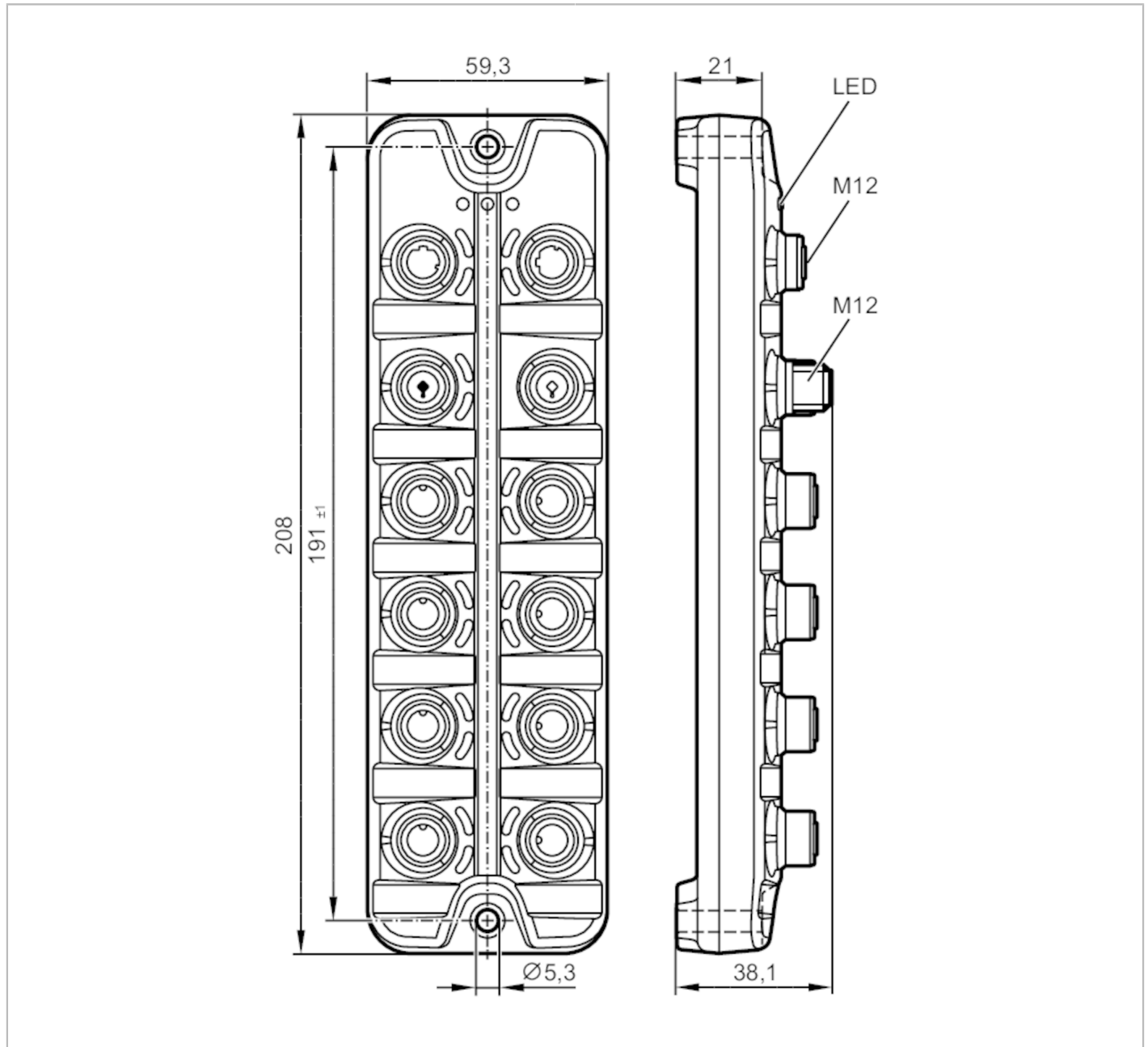


# AL1222



## IO-Link master with EtherNet/IP interface

IO-Link Master PL EIP 8P IP67



Application		
Application		I/O modules for field applications
Daisy-chain function		power supply; fieldbus interface
Electrical data		
Operating voltage	[V]	20...30 DC; (US ; to SELV/PELV)
Current consumption	[mA]	300...3900; (US)
Protection class		III
Additional voltage supply	[V]	20...30 DC; (UA)
Actuator supply UA		
Max. current load total	[A]	3.6



## IO-Link master with EtherNet/IP interface

IO-Link Master PL EIP 8P IP67

Sensor supply US		
Max. current load total	[A]	3.6
<b>Inputs / outputs</b>		
Total number of inputs and outputs		12; (configurable)
Number of inputs and outputs		Number of digital inputs: 12; Number of digital outputs: 8
<b>Inputs</b>		
Number of digital inputs		12; (IO-Link Port Class A: 4 x 2; IO-Link Port Class B: 4 x 1)
Switching level high	[V]	11...30
Switching level low	[V]	0...5
Digital inputs protected against short circuits		yes
<b>Outputs</b>		
Number of digital outputs		8; (IO-Link Port Class A: 4 x 1; IO-Link Port Class B: 4 x 1)
Max. current load per output	[mA]	300
Short-circuit proof		yes
<b>Interfaces</b>		
Communication interface		Ethernet; IO-Link
Ethernet - EtherNet/IP		
Transmission standard		10Base-T; 100Base-TX
Transmission rate		10 MBit/s; 100 MBit/s
Protocol		EtherNet/IP
Factory settings		IP address: 192.168.1.250
		subnet mask: 255.255.255.0
		gateway IP address: 0.0.0.0
		MAC address: see type label
Note on interfaces		DHCP, BOOTP, static
		DLR (Device Level Ring)
		Supported network topologies: line ring
<b>IO-Link Master</b>		
Transmission type		COM1 (4,8 kBaud); COM2 (38,4 kBaud); COM3 (230,4 kBaud)
IO-Link revision		1.1
Number of ports class A		4
Number of ports class B		4
<b>Operating conditions</b>		
Ambient temperature	[°C]	-25...60
Storage temperature	[°C]	-25...85
Max. relative air humidity	[%]	90
Protection		IP 65; IP 66; IP 67
Protection rating (NEMA 250)		6P
Pollution degree		2
Chemical media	ISO 16750-5	AA, BA, BD, HLP, CC, DB, DC, DD, CA
	NEMA 250 5.13.1	AA



## IO-Link master with EtherNet/IP interface

IO-Link Master PL EIP 8P IP67

Tests / approvals		
EMC	EN 61000-6-2	
	EN 61000-6-4	
Shock resistance	DIN EN 60068-2-27	
Vibration resistance	DIN EN 60068-2-64 2009-04	
	DIN EN 60068-2-6 2008-10	
MTTF	[years]	63

Mechanical data		
Weight	[g]	418.3
Materials	housing: PA orange; socket: brass nickel-plated	
Sealing material	FKM	

Remarks		
Remarks	For further information please see the operating instructions.	
Pack quantity	1 pcs.	

## Electrical connection - Ethernet

Connector: M12; coding: D; Sealing: FKM

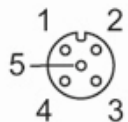


## IN / OUT X21, X22

1	TX +
2	RX +
3	TX -
4	RX -
5	not used

## Electrical connection - Process connection

Connector: M12; coding: A; Sealing: FKM



## IO-Link Port Class A X01...X04

1	Sensor supply (US) L+
2	digital input
3	Sensor supply (US) L-
4	C/Q IO-Link
5	not used



## IO-Link master with EtherNet/IP interface

IO-Link Master PL EIP 8P IP67

### IO-Link Port Class B X05...X08

1	Sensor supply (US) L +
2	actuator supply (UA) L+
3	Sensor supply (US) L-
4	C/Q IO-Link
5	actuator supply (UA) L-

### Electrical connection - power supply IN

Connector: M12; coding: T

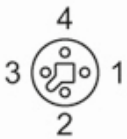


### X31

1	+ 24 V DC (US) brown
2	GND (UA) white
3	GND (US) blue
4	+ 24 V DC (UA) black

### Electrical connection - power supply OUT

Connector: M12; coding: T; Sealing: FKM



### X32

1	+ 24 V DC (US) brown
2	GND (UA) white
3	GND (US) blue
4	+ 24 V DC (UA) black