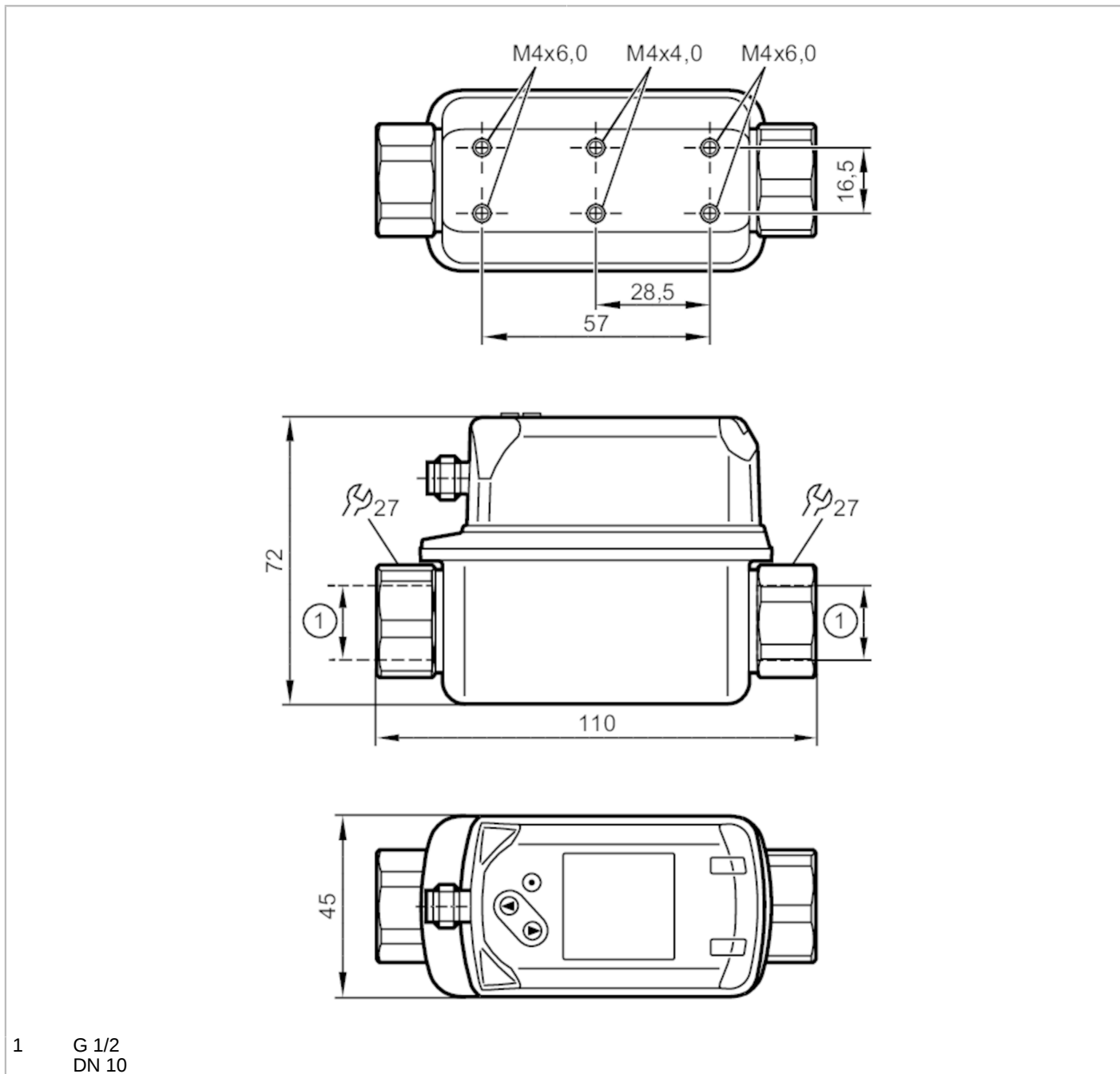


# SV5204



## Vortex flow meter with display

SVR12XXX50KG/US-100



Product characteristics	
Number of inputs and outputs	Number of analogue outputs: 2
Measuring range	2...40 l/min 0.12...2.4 m³/h
Process connection	threaded connection G 1/2 DN10
Application	
Special feature	Gold-plated contacts
Application	for industrial applications
Media	water; glycol solutions; coolants
Medium temperature [°C]	-10...90

# SV5204



## Vortex flow meter with display

SVR12XXX50KG/US-100

Pressure rating	[bar]	12
Pressure rating	[MPa]	1.2
Note on pressure rating		up to 40 °C
MAWP (for applications according to CRN)	[bar]	4.8

### Electrical data

Operating voltage	[V]	18...30 DC
Current consumption	[mA]	< 30
Min. insulation resistance	[MΩ]	100; (500 V DC)
Protection class		III
Reverse polarity protection		yes
Power-on delay time	[s]	< 3

### Inputs / outputs

Number of inputs and outputs	Number of analogue outputs: 2
------------------------------	-------------------------------

### Outputs

Total number of outputs	2
Output signal	analogue signal
Number of analogue outputs	2
Analogue current output	[mA] 4...20
Max. load	[Ω] 500
Short-circuit protection	yes
Overload protection	yes

### Measuring/setting range

Measuring range	2...40 l/min	0.12...2.4 m³/h
Display range	0...48 l/min	0...2.88 m³/h
Resolution	0.2 l/min	0.01 m³/h
Analogue start point ASP	0...32 l/min	0...1.92 m³/h
Analogue end point AEP	8...40 l/min	0.48...2.4 m³/h
In steps of	0.2 l/min	0.01 m³/h
Measuring dynamics		1:20

### Temperature monitoring

Measuring range	[°C]	-10...90
Display range	[°C]	-30...110
Resolution	[°C]	0.5
Analogue start point	[°C]	-10...70
Analogue end point	[°C]	10...90
In steps of	[°C]	0.5

### Accuracy / deviations

Flow monitoring		
Accuracy (in the measuring range)		± 2 % MEW; (water)
Repeatability		± 0,5 % MEW

Temperature monitoring		
Accuracy	[K]	± 1

# SV5204



## Vortex flow meter with display

SVR12XXX50KG/US-100

Response times	
Flow monitoring	
Response time [s]	1; (dAP = 0)
Damping process value dAP [s]	0...5
Temperature monitoring	
Dynamic response T05 / T09 [s]	T09 = 6
Software / programming	
Parameter setting options	Damping for the analogue output dAA; Display unit
Operating conditions	
Ambient temperature [°C]	0...60
Note on ambient temperature	medium temperature < 80 °C medium temperature < 90 °C: 0...50 °C
Storage temperature [°C]	-20...80
Protection	IP 65; IP 67
Tests / approvals	
EMC	DIN EN 61000-6-2 DIN EN 61000-6-3
CPA approval	model number 001VO accuracy class - maximum allowable error ± 2 % FS Q (min) 0,15 m³/h Q (t) 0,48 m³/h Q (max) 2,4 m³/h
Shock resistance	DIN EN 60068-2-27 5 g (11 ms)
Vibration resistance	DIN EN 60068-2-6 with water / 10...50 Hz 1 mm with water / 50...2000 Hz 2 g
MTTF [years]	342
UL approval	UL Approval no. I002
Pressure Equipment Directive	Sound engineering practice; can be used for group 2 fluids; group 1 fluids on request
Mechanical data	
Weight [g]	440
Materials	stainless steel (1.4404 / 316L); PC; PBT+PC-GF30; PPS; TPE-U
Materials (wetted parts)	stainless steel (1.4404 / 316L); ETFE; PA 6T; PPS; FKM
Tightening torque [Nm]	30
Process connection	threaded connection G 1/2 DN10
Remarks	
Remarks	MW = measured value MEW = Final value of the measuring range
Pack quantity	1 pcs.

# SV5204



## Vortex flow meter with display

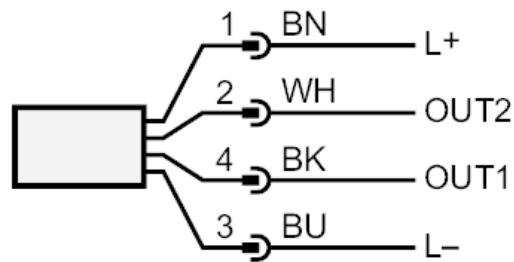
SVR12XXX50KG/US-100

### Electrical connection

Connector: 1 x M12; coding: A; Contacts: gold-plated



### Connection



OUT1: analogue output Temperature monitoring  
OUT2: analogue output volumetric flow quantity monitoring  
colours to DIN EN 60947-5-2

Core colours :

BK = black  
BN = brown  
BU = blue  
WH = white

# SV5204

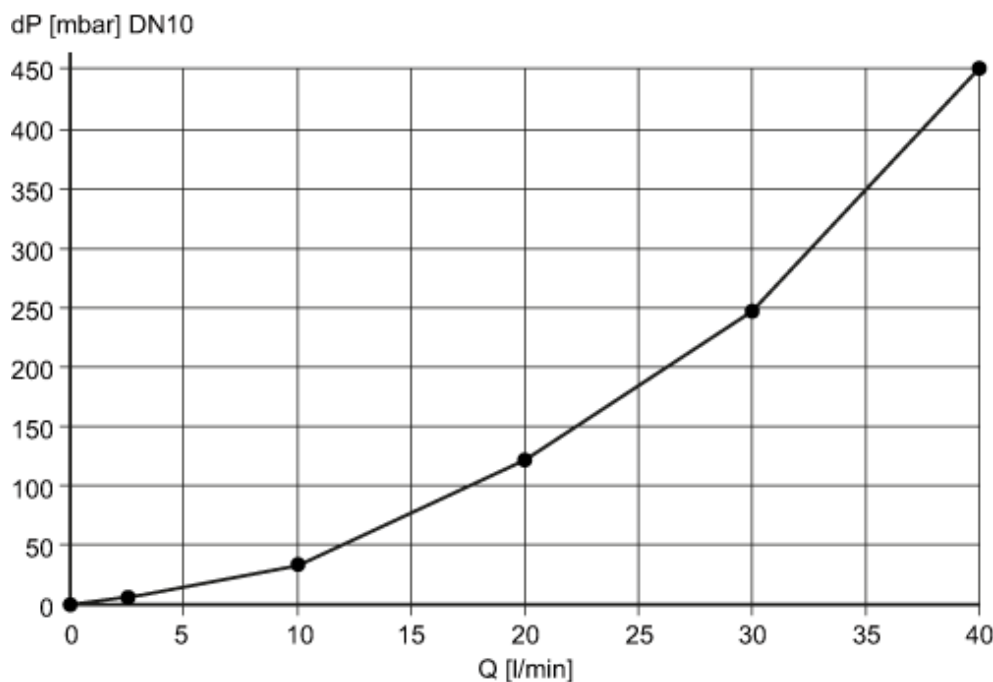


## Vortex flow meter with display

SVR12XXX50KG/US-100

### Diagrams and graphs

Pressure loss



dP Pressure loss

Q volumetric flow quantity

pressure rating (bar)

