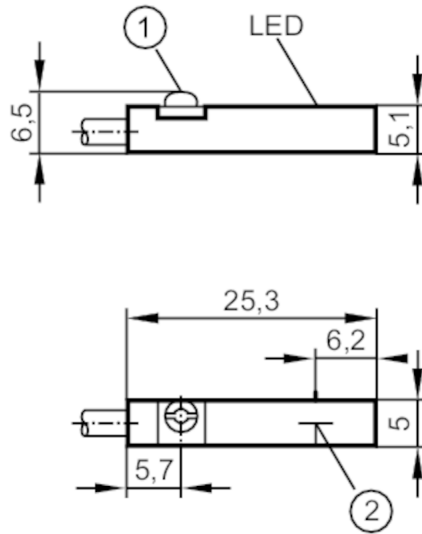


# MK5114



## T-slot cylinder sensor

MKT3028BANKG/G/ZH



- 1 fastening clamp  
2 Sensing face



### Product characteristics

Electrical design		NPN
Output function		normally open
Dimensions	[mm]	25 x 5 x 6.5

### Electrical data

Operating voltage	[V]	10...30 DC; ("supply class 2" to cULus)
Current consumption	[mA]	< 10
Protection class		III
Reverse polarity protection		yes
Max. power-on delay time	[ms]	30

### Outputs

Electrical design		NPN
Output function		normally open
Max. voltage drop switching output DC	[V]	2.5
Permanent current rating of switching output DC	[mA]	100
Switching frequency DC	[Hz]	10000
Short-circuit protection		yes
Overload protection		yes

### Detection zone

Response sensitivity	[mT]	2.8
Travel speed	[m/s]	> 10

### Accuracy / deviations

Hysteresis	[mm]	< 1.5
------------	------	-------

# MK5114



## T-slot cylinder sensor

MKT3028BANKG/G/ZH

Repeatability [mm] < 0.2

### Operating conditions

Ambient temperature [°C] -25...85

Protection IP 65; IP 67

### Tests / approvals

EMC	EN 61000-4-2 ESD	- CD / 8 kV AD
	EN 61000-4-3 HF radiated	10 V/m
	EN 61000-4-4 Burst	2 kV
	EN 61000-4-6 HF conducted	10 V
	EN 55011	class B

MTTF [years] 3694

UL approval UL Approval no. C003

### Mechanical data

Weight [g] 28.5

Mounting flush mountable

Type of mounting fastening clamp with combined slot / hexagon socket, width across flats 1.5

Cylinder type T-slot cylinders

Dimensions [mm] 25 x 5 x 6.5

Materials housing: PA; fastening clamp: stainless steel

### Displays / operating elements

Display switching status 1 x LED, yellow

### Accessories

Items supplied rubber placeholder: 1  
Cable clip: 1

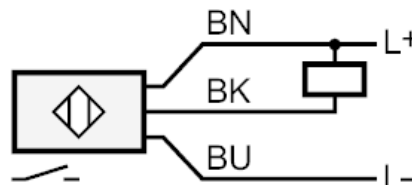
### Remarks

Pack quantity 1 pcs.

### Electrical connection

Cable: 2 m, PUR; 3 x 0.14 mm<sup>2</sup>

### Connection



Core colours :  
BK = black  
BN = brown  
BU = blue