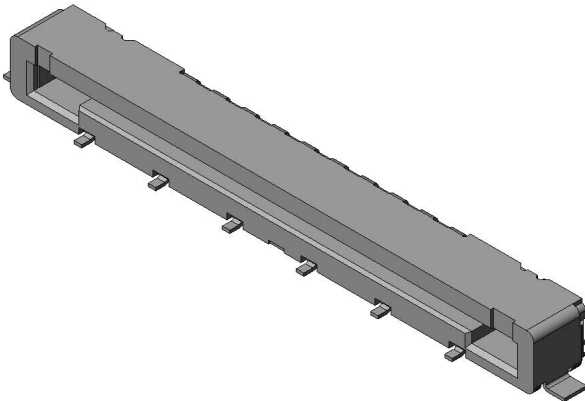


FI-RE51S-HF-R1500

Product Details



Features

Connector for internal serial transmission, Standard type, 51 pos., Receptacle

Part Number	FI-RE51S-HF-R1500
Status	Active
Number of Positions	51 pos.
Contact Pitch (mm)	0.5 mm
Rated Current (A)	0.8 A
Connector Type	Receptacle
Connector Style	Right angle
Wire Termination Style	-
Applicable Wire Size (AWG)	-
PCB Mounting Method	Soldering (SMT)
Applicable Wire	-
Applicable Wire Insulation Diameter (mm)	-
Material of Contact	Copper alloy
Finish of Contact in Connecting Area	Gold plating over Nickel

Finish of Contact in Terminal Area	
Finish of Contact in PCB Mounting Area	Tin plating over Nickel
Shell, Material/ Finish	Stainless-steel/ Tin plating
Material of Housing	Heat resisting plastic (UL94V-0)
Locking Feature	
PCB Mounted Height (mm)	3.75
Dielectric Withstanding Voltage (VACr.m.s. 1minute)	500
Insulation Resistance (megaohm min.)	100
Contact Resistance (milliohm max.)	50
PCB Boardlock Feature	Hold-down
Applicable Contacts	
Use with Accessories	
Applicable Product Part Numbers	
Packaging Type	Embossed tape packaging
Quantity in The Standard Packaging (pieces)	1,500
RoHS compliant	10 substances (2011/65/EU, (EU)2015/863)
REACH compliant	240 substances (23/01/2024)
Combination	FI-RE51HL JF08R0R051040UA FI-RE51CL JF08R0R051020UA JF08R0R051030UA
Remarks	

Notice

1. The values specified in this web site are only for reference. The products and their specifications are subject to change without notice. Contact our sales staff for further information before considering or ordering any of our products.

For purchase, a product specification must be agreed upon.

2. Users are requested to provide protection circuits and redundancy circuits to ensure safety of the equipment, and sufficiently review the suitability of JAE's products to the equipment.

3. The products presented in this web site are designed for the uses recommended below. We strongly suggest you contact our sales staff when considering use of any of the products in any other way than the recommended applications or for a specific use that requires an extremely high reliability.

(1) Applications that require consultation:

- * Please contact us if you are considering use involving a quality assurance program that you specify or that is peculiar to the industry, such as:

Automotive electrical components, train control, telecommunications devices (mainline), traffic light control, electric power, combustion control, fire prevention or security systems, disaster evention equipment, etc.

- * We may separately give you our support with a quality assurance program that you specify, when you think of a use such as :

Aviation or space equipment, submarine repeaters, nuclear power control systems, medical equipment for life support, etc.

(2) Recommended applications include:

- * Computers, office appliances, telecommunications devices (terminals, mobile units), measuring equipment, audiovisual equipment, home electric appliances, factory automation equipment, etc