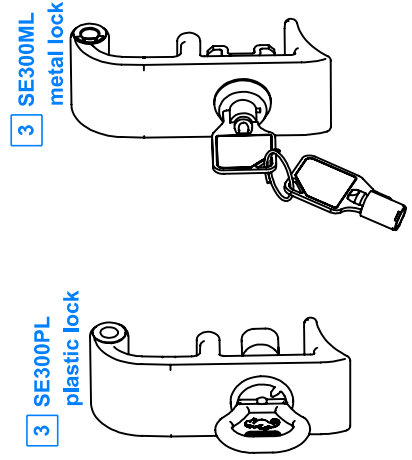
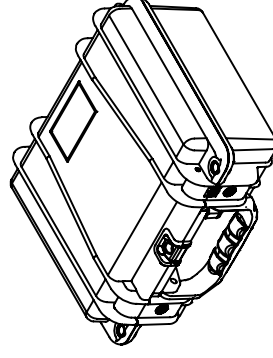
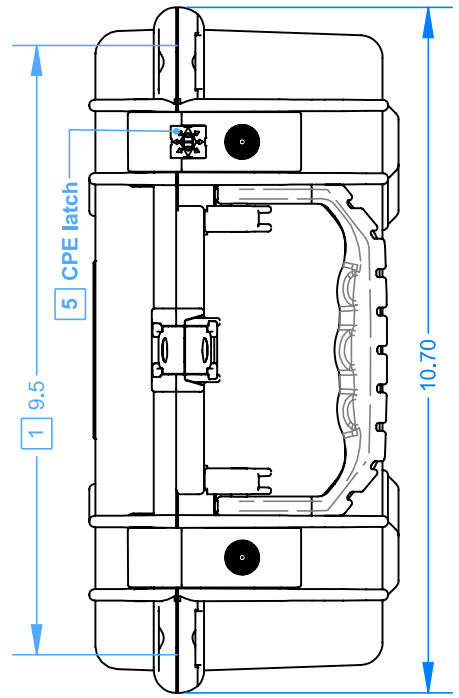
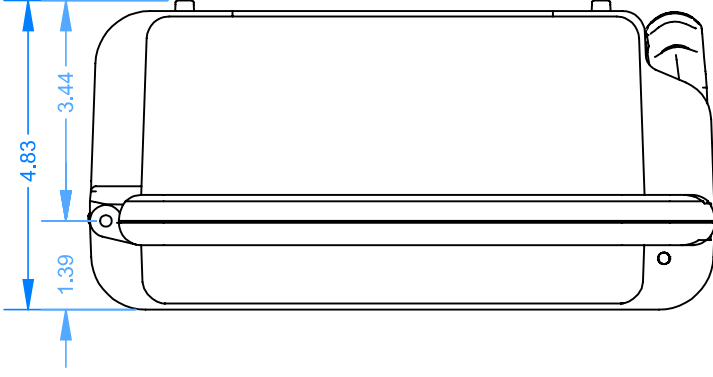
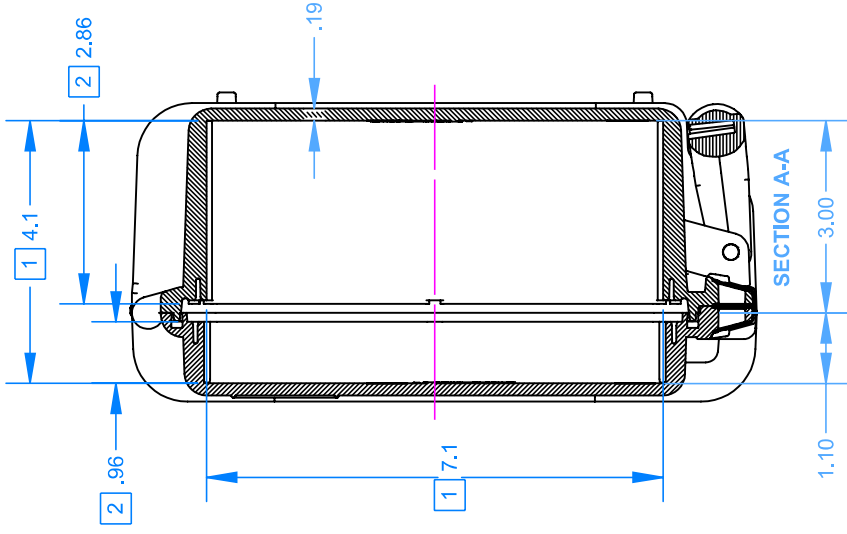
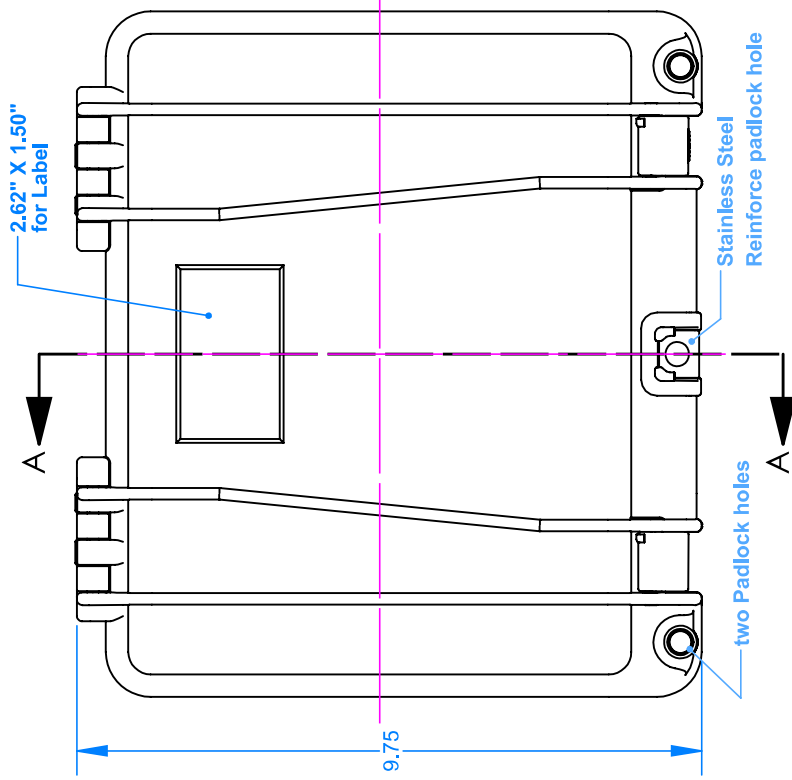


SE300

SEAHORSE

PROTECTIVE EQUIPMENT CASES



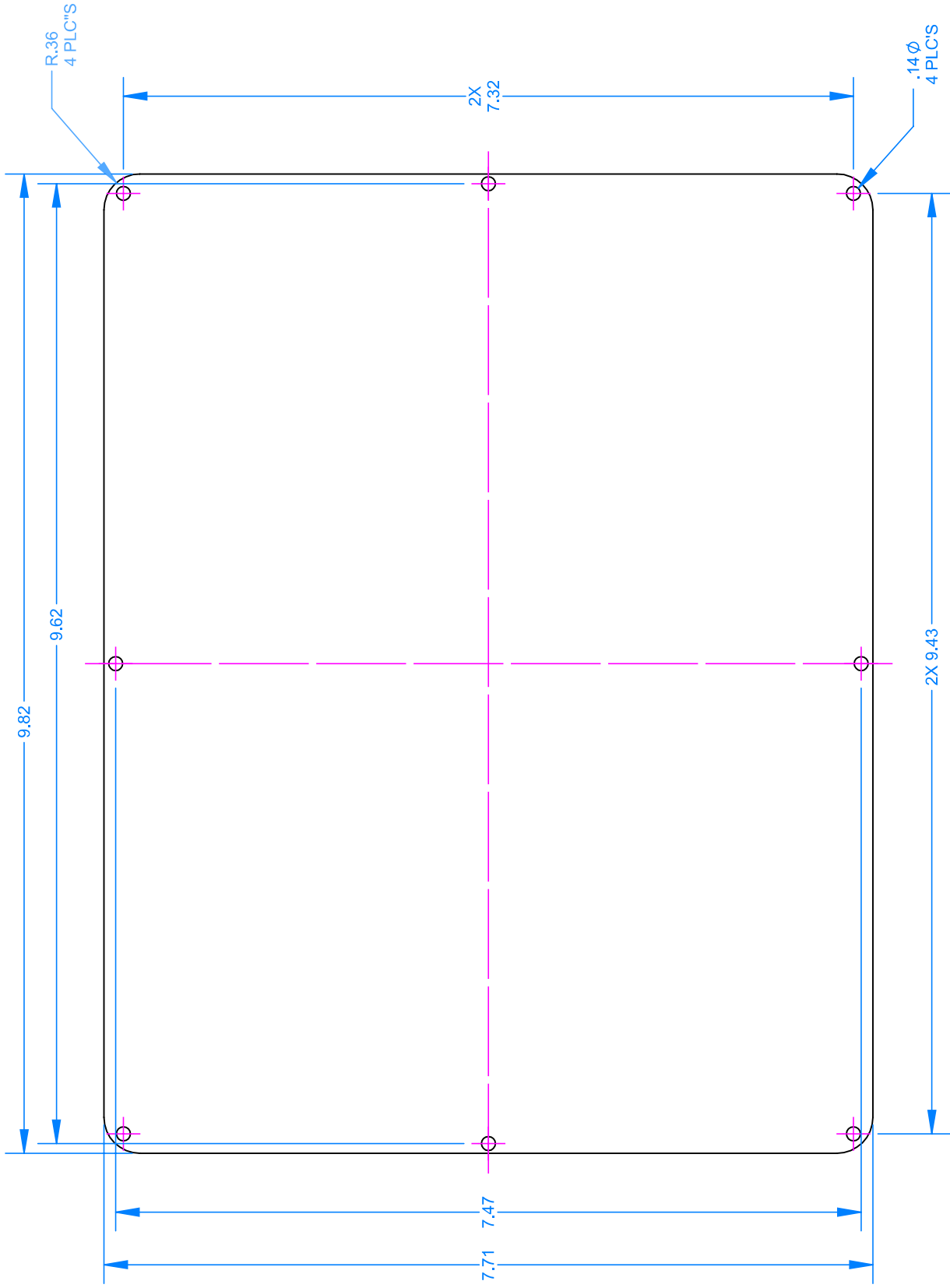
NOTES:

- 1) Max. usable inside dimensions are: 9.5" X 7.1" X 4.1"
- 2) Dimensions to bottom of panel flange.
- 3) Optional latches specify: SE300ML for metal locks SE300PL for plastic locks.
- 4) Weight empty/Foam: 2.55/2.75 lb. Buoyancy: 9 lb. Weight Capacity: 30 lb.
- 5) CPE= Continues Pressure Equalization latch

Top Panel for SE300

SEAHORSE

PROTECTIVE EQUIPMENT CASES



Bottom Panel for SE300

SEAHORSE

PROTECTIVE EQUIPMENT CASES

