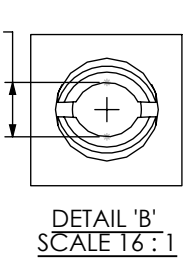
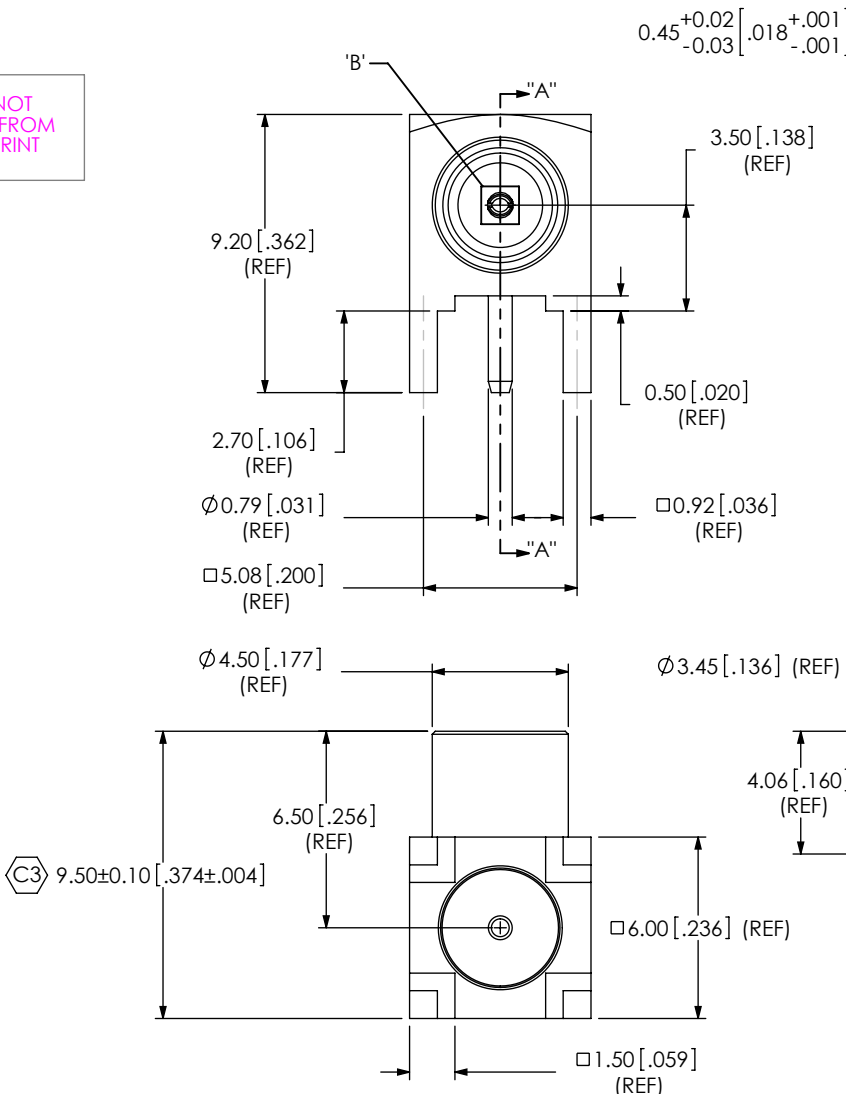


DESIGNED & DIMENSIONED
IN MILLIMETERS [INCHES]

MCX7-J-P-XX-RA-TH1

DO NOT
SCALE FROM
THIS PRINT

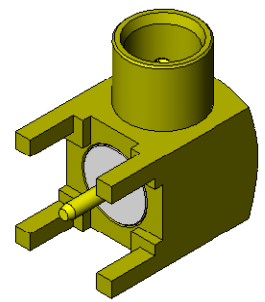
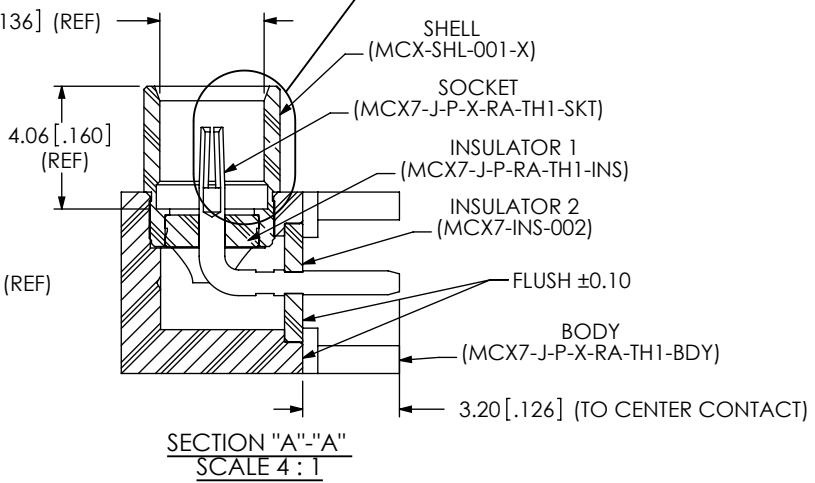
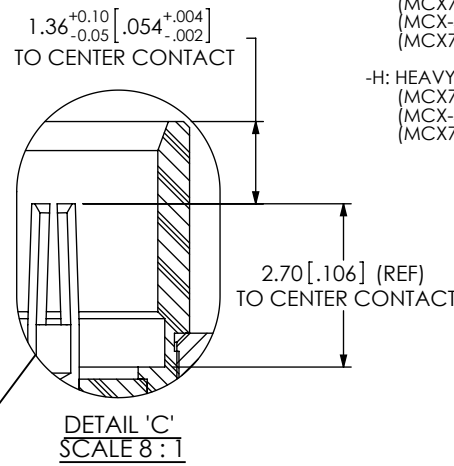


GENDER
-J: JACK
TYPE
-P: PCB

TERMINATION
-TH1: THROUGH HOLE

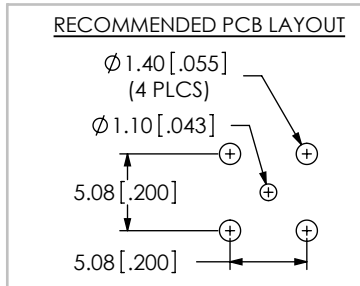
ORIENTATION
-RA: RIGHT ANGLE

PLATING SPECIFICATION
-HN: HEAVY GOLD/NICKEL (SEE NOTE 5 & 6)
(MCX7-J-P-H-RA-TH1-SKT)
(MCX-SHL-001-F)
(MCX7-J-P-N-RA-TH1-BDY)
-H: HEAVY GOLD (SEE NOTE 5 & 6)
(MCX7-J-P-H-RA-TH1-SKT)
(MCX-SHL-001-F)
(MCX7-J-P-F-RA-TH1-BDY)



MCX7-J-P-H-RA-TH1
(SHOWN)

- NOTES:
- Ⓢ REPRESENTS A CRITICAL DIMENSION.
 - PUSHOUT FORCE FOR INSULATOR: 20 N(4.5 LB) MIN.
 - PARTS TO BE PACKAGED IN TRAYS; IF QUANTITY IS LESS THAN HALF TRAY, PARTS TO BE PACKAGED IN COHESIVE FOAM.
 - ROHS COMPLIANT.
 - COMPONENT PLATING DESIGNATIONS:
-H: 0.00076[0.000030] (MIN) GOLD OVER 0.00127[0.000050] (MIN) NICKEL.
-F: 0.00008[0.000003] (MIN) GOLD OVER 0.00127[0.000050] (MIN) NICKEL.
-N: 0.00254[0.000100] (MIN) NICKEL.
 - ASSEMBLY PLATING DESIGNATIONS:
-HN: (CENTER CONTACT)-H:
(OUTER CONTACT)-F:
(REMAINING METAL PARTS)-N:
-H: (CENTER CONTACT)-H:
(OUTER CONTACT)-F:
(REMAINING METAL PARTS)-F:



F:\DWG\MISC\mktg\MCX7-J-P-XX-RA-TH1-MKT.SLDDRW

UNLESS OTHERWISE SPECIFIED,
DIMENSIONS ARE IN MILLIMETERS.

TOLERANCES ARE:

DECIMALS	ANGLES
.X: ±0.3 [0.1]	2°
.XX: ±0.13 [0.05]	
.XXX: ±0.051 [0.020]	

PROPRIETARY NOTE
THIS DOCUMENT CONTAINS INFORMATION CONFIDENTIAL AND PROPRIETARY TO SAMTEC, INC. AND SHALL NOT BE REPRODUCED OR TRANSFERRED TO OTHER DOCUMENTS OR DISCLOSED TO OTHERS OR USED FOR ANY PURPOSE OTHER THAN THAT WHICH IT WAS OBTAINED WITHOUT THE EXPRESSED WRITTEN CONSENT OF SAMTEC, INC.

MATERIAL: DO NOT SCALE DRAWING SHEET SCALE: 5:1

520 PARK EAST BLVD, NEW ALBANY, IN 47150
PHONE: 812-944-6733 FAX: 812-948-5047
e-Mail: info@SAMTEC.com code: 55322

DESCRIPTION:
MCX7 RIGHT ANGLE, THROUGH HOLE JACK- 75 OHM

DWG. NO.
MCX7-J-P-XX-RA-TH1

BY: R MUSSER 02/06/2008 SHEET 1 OF 1