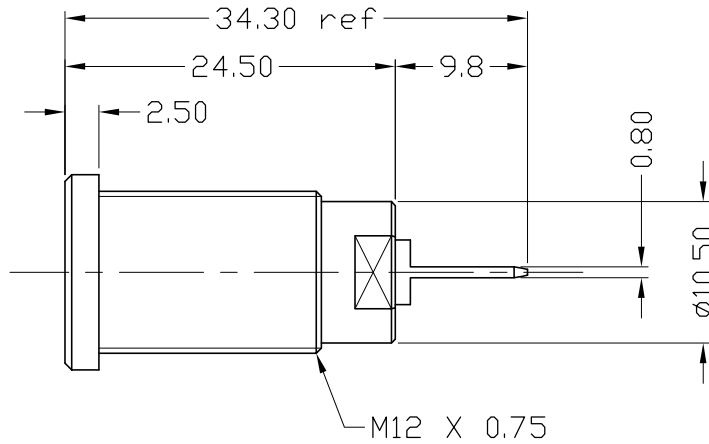
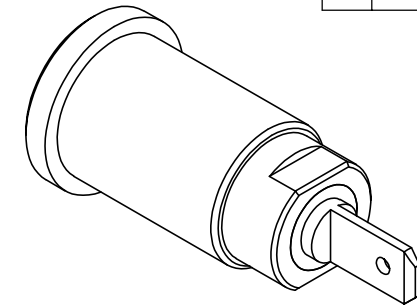
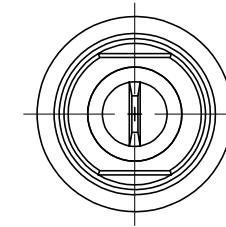
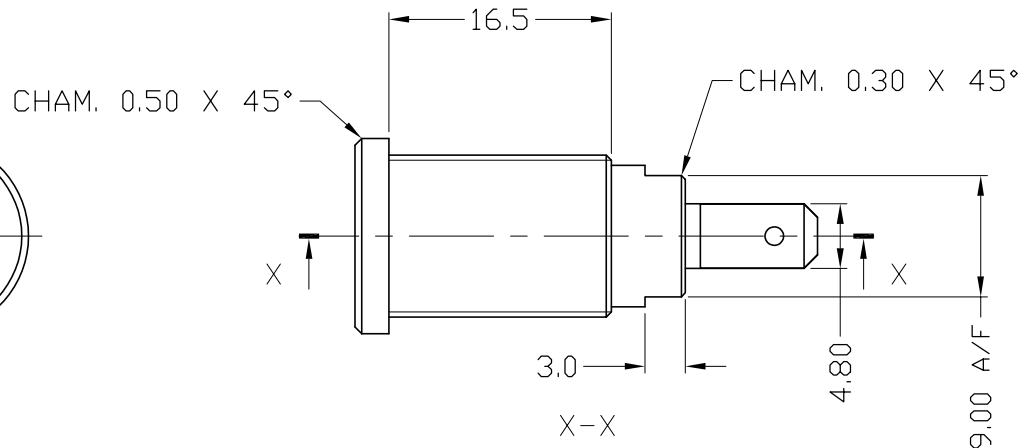
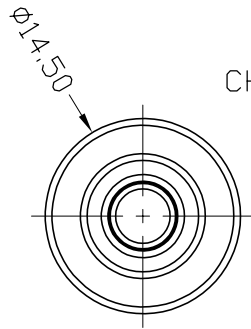


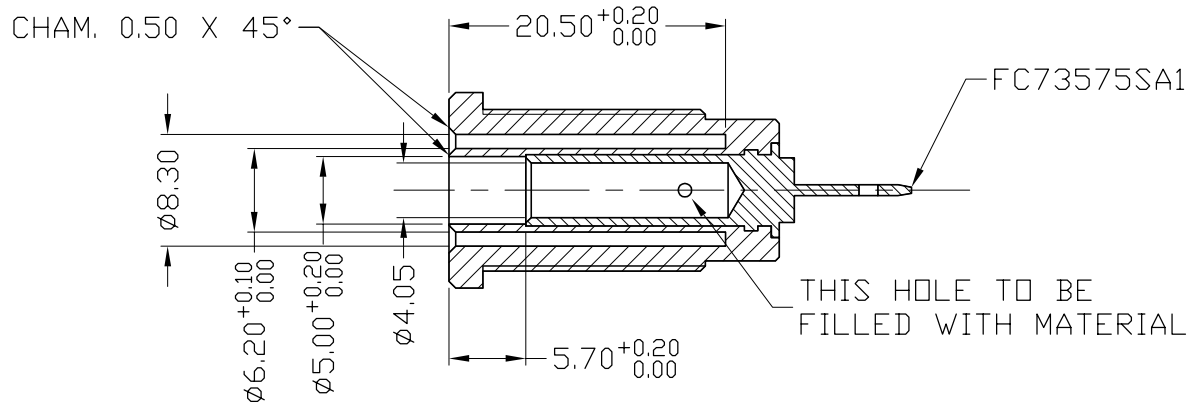
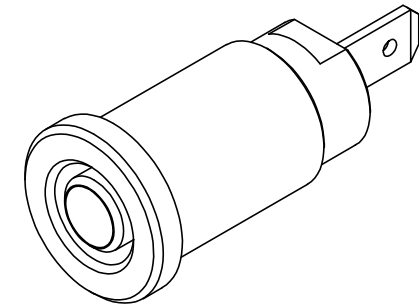
PART No.	COLOUR
FCR73575R	RED
FCR73575B	BLACK
FCR73575G	GREEN
FCR73575L	BLUE
FCR73575Y	YELLOW



ISS.	AMEND	DATE
1	ISSUED	22/02/05
2	DIMS ADDED	01/06/05
3	UPDATED	21/11/19



ISOMETRIC VIEWS



SUPPLIED WITH
NUT FCR7355N AND
WASHER FCR7355W

RoHS
COMPLIANT

TOLERANCE
NO DEC. PLACE ± 0.50
1 DEC. PLACE ± 0.20
2 DEC. PLACE ± 0.10
HOLE Ø ± 0.10
ANGLES ± 1/2°
UNLESS
OTHERWISE STATED

1ST DRAWN : 4/8/00

Cliff Electronic Components Ltd.
76 Holmethorpe Avenue, Holmethorpe Industrial Estate,
Redhill, Surrey, RH1 2PF, England, UK
Tel: 01737-771375 Fax: 01737-766012 Website: www.cliffuk.co.uk

DIMENSIONS IN MILLIMETERS UNLESS OTHERWISE STATED. WORK TO DIMENSIONS. REMOVE ALL BURRS. IF IN DOUBT ASK.

3rd ANGLE PROJECTION:

DO NOT SCALE

MATERIAL: PP NAN YA 3117 (f1) (RED, BLACK, GREEN, BLUE, YELLOW)

TITLE: S16N/4.8

FINISH: SPARK 32 VDI

DRAWN: D.P.J.

APPROVED: R.W.T.

DRWG. No. **FCR73575**

FORM: A4DRWGH

THE CONTENTS OF THIS DOCUMENT MUST NOT BE COPIED OR DISCLOSED TO A 3rd PARTY WITHOUT WRITTEN PERMISSION OF CLIFF UK. © 2005