

1

2

3

4

5

6

7

A

A

B

B

C

C

D

D

E

E

F

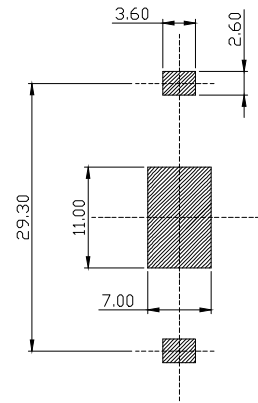
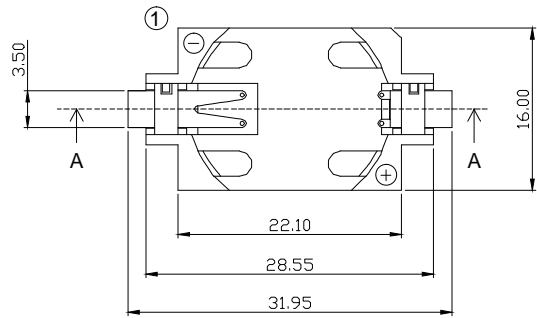
F

G

G

H

H



PCB LAYOUT

NOTE:

1.MATERIAL

- 1.1 Housing:LCP
- 1.2 Contact:C5191,Au or Tin over Nickel

2.ELECTRIC

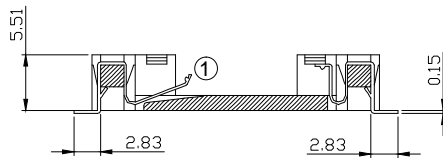
- 2.1 Contact Resistance:30 Milliohms Max.
- 2.2 Insulation Resistance:1000 Mega Ohms Min.
- 2.3 Dielectric Voltage:500V AC one Sec Level.

3.Operating Temperature:-55°C To +105°C

4.Packing:Tape & Reel

- ① Order Code:A-BAT-CH-C8-EA-xSR3

G:Gold Flash
Z:Tin



SECTION A-A

RoHS compliant

unit:mm

Scale Free

TOLERANCE

X. ±0.35

.X ±0.25

.XX ±0.20

.XXX ±0.15

DIM TOL

Angle TOL

Id.

modification

Date

Name

07.12.2022

Peter

12.20.2021

Peter

12.20.2021

Peter

Date

Name

Drawn

12.20.2021

Peter

Approved

07.12.2022

Peter

Description: Coin Cell Holders
CR2032 Type

ASSMANN WSW-NO.

① A-BAT-CH-C8-EA-xSR3

Drawing-No.

ASS 9162 CO

rev01

Customer-No.

SHEET
1 / 2



1

2

3

4

5

6

7

1

2

3

4

5

6

7

A

A

B

B

C

C

D

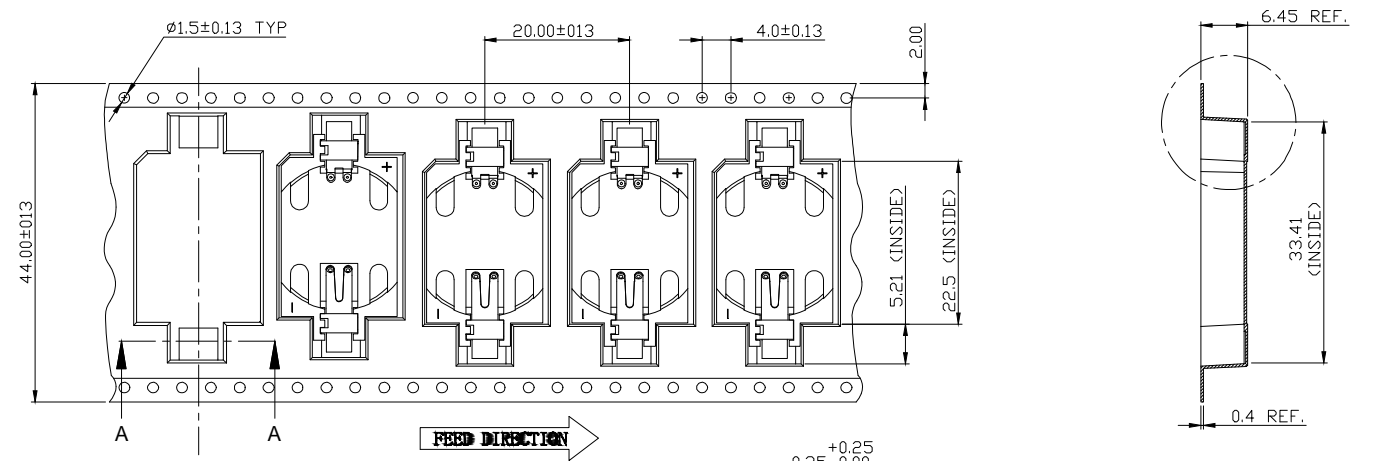
D

E

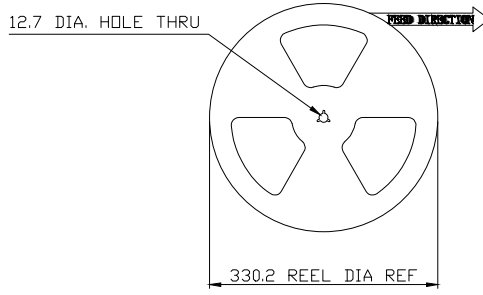
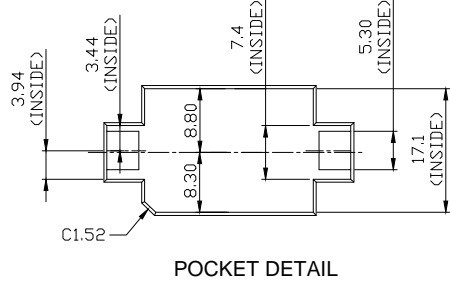
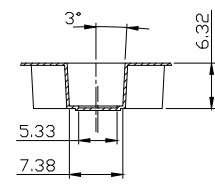
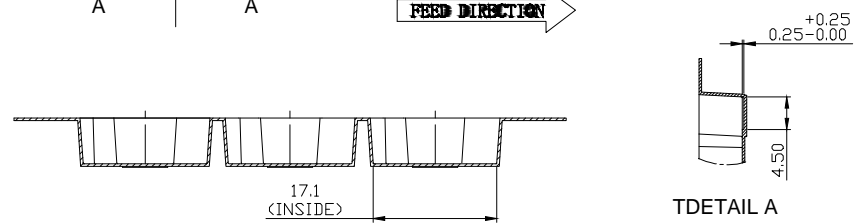
E

F

F



NOTE:
 1. Tape and Reel specification
 1.1 Tape: MAT'L-ALL conductive polystyrene carrier ANSI/EIA-481 Standard
 1.2 Reel: 330.2 DIA. 500pieces per reel



G

G

RoHS compliant
 unit:mm

Scale	Free					Date	Name	Description: Coin Cell Holders Packing method	
TOLERANCE						Drawn	12.20.2021	Peter	
X.	±0.35					Approved	07.12.2022	Peter	ASSMANN WSW-NO.
.X	±0.25								① A-BAT-CH-C8-EA-xSR3
.XX	±0.20								
.XXX	±0.15	①	Updated the P/N and delete the dimension 3.00	07.12.2022	Peter			Drawing-No.	rev01
DIM	TOL	②	Drawn	12.20.2021	Peter			ASS 9162 CO	
Angle	TOL	Id.	modification	Date	Name			Customer-No.	SHEET 2 / 2

H

H

1

2

3

4

5

6

7