

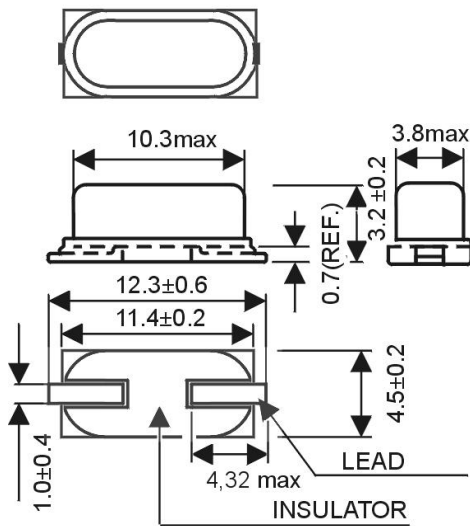


Quartz Crystal

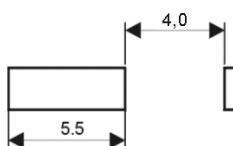
SMD-version

model	KX - KST
frequency	13,06250 MHz
mode	fundamental
operating temperature	-40° ~ + 85°C
frequency tolerance at +25°C	± 30 ppm
temperature tolerance at -40° ~ +85°C	± 30 ppm
load capacitance C_L	18 pF
series resonance R_1 max.	60 Ohm
aging at +25°C (first year) max.	± 2 ppm
shunt capacitance C_O max.	7,0 pF
drive level in mW	0,1
RoHS	according to RoHS 2011/65/EU
contents of reel	1000 pcs.
part no.	12.88085

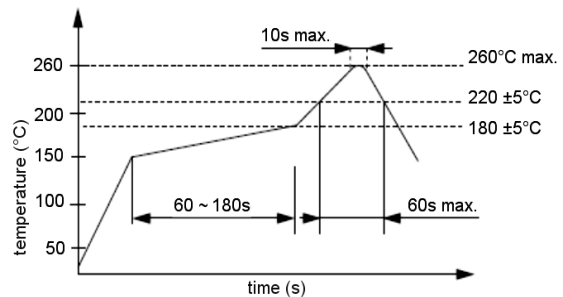
Dimensions (mm):



Suggested soldering pad:



Reflow soldering condition:



Tape specification:

