

N=Number of contacts
Dimension A&B

| | |
|-------|---------------------|
| DIM A | $N \times 10 + 3.5$ |
| DIM B | $(N-1) \times 10$ |

| Poles | Tol. | Dim A&B |
|-------|------|------------|
| 2-3P | | ± 0.20 |

| SIGN | DATE | DESCRIPTION | APPROVER |
|------|-----------|---|----------|
| △ | 2/07'06 | Wire range is changed from 22-14 AWG to 22-12 AWG | Tony |
| △ | 2/07'06 | Part No. is changed | Tony |
| △ | 3/13'06 | Dimension is changed from 5.7 to 3.9 | Tony |
| △ | 2006.08.3 | Screw torque value is changed from 10.4Lb-in to 12Lb-in | 梁仁松 |
| △ | 2006.08.3 | Approval is changed | 梁仁松 |
| △ | 06 /05'07 | Material is changed | Lucy |
| △ | 3/30'09 | Temperature changed from -40 105°C to -40 115°C | JODY |
| △ | 11/13'12 | Change the screw plating specification | Jacky |
| △ | 11/13'12 | Change the dimensional tolerance | Jacky |
| △ | 11/13'12 | Add the dimensional label | Jacky |

THIS IS CAD DRAWING, DO NOT REVISE MANUALLY!!!

MATERIALS ELECTRICAL

RATED VOLTAGE & CURRENT: 300 V, 20 A
 WITHSTAND VOLTAGE: AC 2000 V/Min
 INSULATION RESISTANCE: 1000 MΩ OR MORE AT DC 500 V
 OPERATING TEMPERATURE RANG: $\Delta -40^\circ\text{C} \sim +115^\circ\text{C}$

- △ SCREW TORQUE VALUE: 12Lb-In.
- △ WIRE RANGE: 22 - 12 AWG
- △ 1) MOLDED PARTS: THERMOPLASTIC, UL 94 V-0 BLACK
- 2) TERMINAL: BRASS, 0.8t, Tin PLATED
- △ 3) TERMINAL SCREWS: STEEL, M3.5
- 4) COVER MATERIAL: PC
- △ APPROVAL: us
- △ PART NO.: Critical dimension: ∇

YK 601 xx 2 x x 00G

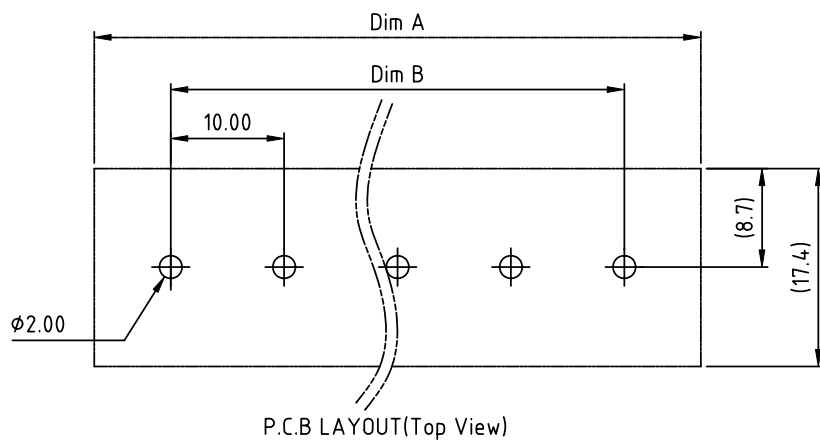
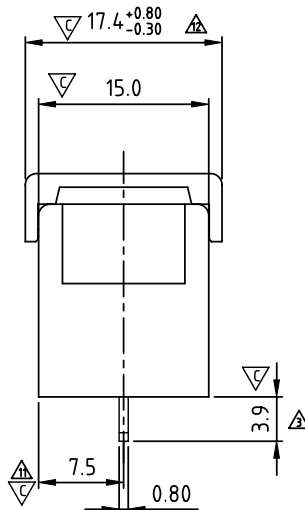
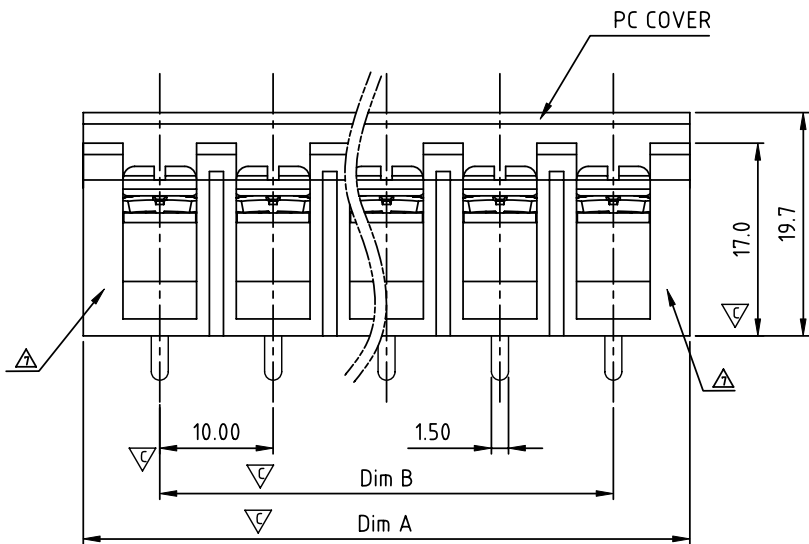
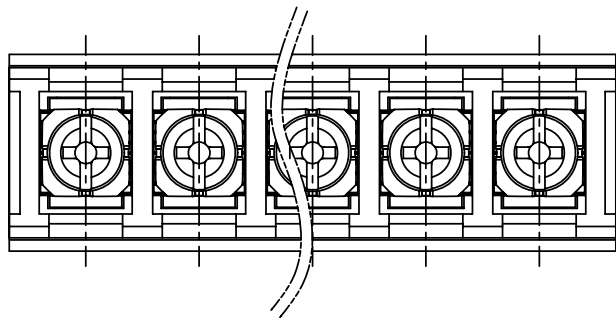
- G:RoHS compliant(lead<4%) in copper alloy
- MARK
- 0: "@" MARK
- 1: "ANY" MARK
- TERMINAL & SCREW PLATED
- 0: TERMINAL & SCREW: G/F
- △ 1: TERMINAL: G/F, SCREW: Zinc
- 2: TERMINAL: Sn, SCREW: G/F
- △ 3: TERMINAL: Sn, SCREW: Zinc

ANYTEK

CUSTOMER COPY

ALL RIGHTS RESERVED. REPRODUCTION OR ISSUE TO THIRD PARTIES IN ANY FORM WHATSOEVER IS NOT PERMITTED WITHOUT WRITTEN AUTHORITY FROM THE PROPRIETOR. PROPERTY OF ANYTEK TECHNOLOGY CO., LTD

| | | | | | | |
|----------|--|--|---------------------|---------------------|----------|-------------|
| TITLE | | YK-601 Without Flange&With Cover Series(2P-3P) | | | | |
| PART NO. | | YK601xx2xx00G | | DWG NO. | | 8YK0006-601 |
| APPROVED | | CHECKED | DESIGNED | DRAWN | CUST NO. | |
| | | | Jacky 2012.11.13 | Jacky 2012.11.13 | | |
| | | | | | | Tolerance |
| | | | | UNIT: mm | | X. ±0.50 |
| | | | | SCALE: NONE | | X.X ±0.30 |
| | | | | SHEET: 01/01 | | X.XX ±0.10 |
| | | | | REV.: F | | X° ±1° |



N=Number of contacts
Dimension A&B

| | |
|-------|---------------------|
| DIM A | $N \times 10 + 3.5$ |
| DIM B | $(N-1) \times 10$ |

| Poles | Tol. | Dim A & B |
|--------|------|------------|
| 4p | | ± 0.20 |
| 5-10p | | ± 0.30 |
| 11-24p | | ± 0.40 |
| 25-30p | | ± 0.50 |

| SIGN | DATE | DESCRIPTION | APPROVER |
|------|-----------|---|----------|
| △ | 2/07'06 | Wire range is changed from 22-14 AWG to 22-12 AWG | Tony |
| △ | 2/07'06 | Part No. is changed | Tony |
| △ | 3/13'06 | Dimension is changed from 5.7 to 3.9 | Tony |
| △ | 2006.08.3 | Screw torque value is changed from 10.4Lb-in to 12Lb-in | 梁仁松 |
| △ | 2006.08.3 | Approval is changed | 梁仁松 |
| △ | 06 /05'07 | Material is changed | Lucy |
| △ | 3/30'09 | Structure changed | JODY |
| △ | 3/30'09 | Temperature changed from -40 ~ 105°C to -40 ~ 115°C | JODY |
| △ | 11/13'12 | Change the screw plating specification | Jacky |
| △ | 11/13'12 | Change the dimensional tolerance | Jacky |
| △ | 11/13'12 | Add the dimensional label | Jacky |
| △ | 08/25'14 | The dimensional tolerance is changed from 17.4±0.30 to 17.4 ^{+0.80} / _{-0.30} | Airy min |

THIS IS CAD DRAWING, DO NOT REVISE MANUALLY!!!

MATERIALS ELECTRICAL
 RATED VOLTAGE & CURRENT: 300 V, 20 A
 WITHSTAND VOLTAGE: AC 2000 V/Min
 INSULATION RESISTANCE: 1000 MΩ OR MORE AT DC 500 V
 OPERATING TEMPERATURE RANG: △ -40 °C ~ +115 °C

- △ SCREW TORQUE VALUE: 12Lb-In.
- △ WIRE RANGE: 22 - 12 AWG
- △ 1) MOLDED PARTS: THERMOPLASTIC, UL 94 V-0 BLACK
- 2) TERMINAL: BRASS, 0.8t, Tin PLATED
- △ 3) TERMINAL SCREWS: STEEL, M3.5
- 4) COVER MATERIAL: PC

- △ APPROVAL: us
- △ PART NO:

Critical dimension:

YK 601 xx 2 x x 00G

NO. OF POLES

- 04: 4 POLES
- 05: 5 POLES
- 06: 6 POLES

30: 30 POLES

G:RoHS compliant(lead<4%)
in copper alloy

MARK

0: "@" MARK

1: "ANY" MARK

TERMINAL & SCREW PLATED

0: TERMINAL & SCREW: G/F

△ 1: TERMINAL: G/F, SCREW: Zinc

2: TERMINAL: Sn, SCREW: G/F

△ 3: TERMINAL: Sn, SCREW: Zinc

ANYTEK

CUSTOMER COPY

ALL RIGHTS RESERVED. REPRODUCTION OR ISSUE TO THIRD PARTIES IN ANY FORM WHATSOEVER IS NOT PERMITTED WITHOUT WRITTEN AUTHORITY FROM THE PROPRIETOR. PROPERTY OF ANYTEK TECHNOLOGY CO., LTD

| | | | | | | |
|----------|---------|--|------------------------|--------------|--|-------------|
| TITLE | | YK-601 Without Flange&With Cover Series(4-30P) | | | | |
| PART NO. | | YK601xx2xx00G | | DWG NO. | | 8YK0001-601 |
| APPROVED | CHECKED | DESIGNED | DRAWN | CUST NO. | | Tolerance |
| | | Airy min 2014.08.25 | Airy min 2014.08.25 | | | X. ±0.50 |
| | | | | UNIT: mm | | X.X ±0.30 |
| | | | | SCALE: NONE | | X.XX ±0.10 |
| | | | | SHEET: 01/01 | | X° ±1° |
| | | | | REV.: H | | |