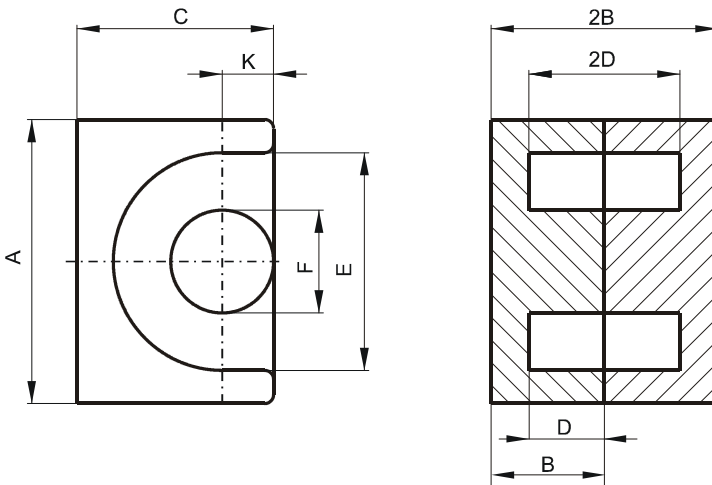


DIMENSIONS



(mm)	Nominal:	Tol. min.:	Tol. max.:
A	12.8	-0.6	0.0
B	6.45	-0.08	+ 0.08
2B	12.9	-0.16	+ 0.16
C	9.0	-0.4	0.0
D	4.5	0.0	+ 0.2
2D	9.0	0.0	+ 0.4
E	9.7	0.0	+ 0.6
F	4.5	-0.3	0.0
K	2.4	-0.1	+ 0.1
Eff. Parameters			
Ae mm ²	Amin mm ²	le mm	Ve mm ³
19.5	14.9	24.2	472

INDUCTANCE

AL value (nH/T ²)	Test conditions
Nom: 1533 Min.: 1150	10 kHz, < 0.5 mT, 25 °C

MARKING

R UG

CORE LOSSES

P _i max	Test conditions
85 mW/cm ³ (0.04 W/set)	100 kHz, 100 mT, 100 °C
466 mW/cm ³ (0.22 W/set)	100 kHz, 200 mT, 100 °C

NOTE

Spec. modifications	Previous	Revised
2005-06-22	A=12.22 Min. A=12.78 Max. B=6.50 Max. 2B=13.00 Max. E=9.73 Min. Losses: General R material	A=12.2 Min. A=12.8 Max. B=6.53 Max. 2B=13.06 Max. E=9.70 Min. Losses: Detail as indicated