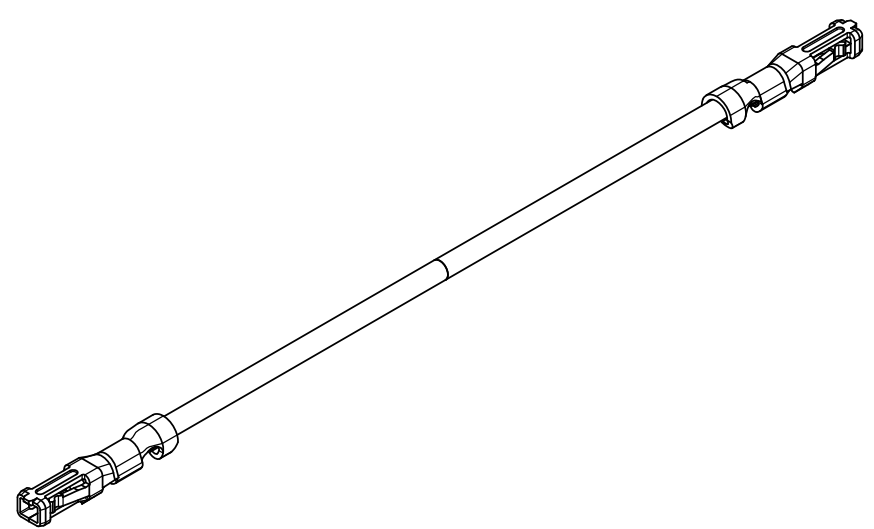
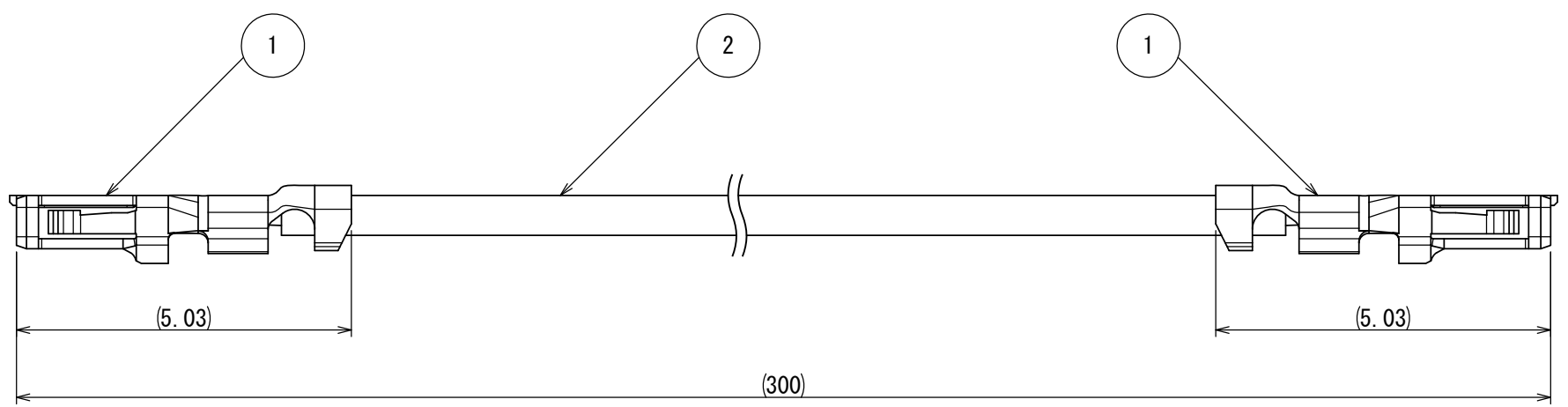
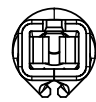


図面番号 (DRAWING NO.) CAL24-003

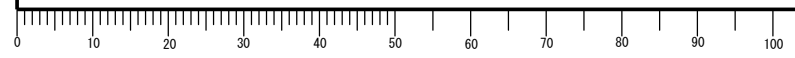
版数 VER.	年月日 DATE	図 CN NO.	変更内容 DESCRIPTION	製 DR.	担 CHK.	査 APPD.	承 APPD.
------------	-------------	-------------	---------------------	----------	-----------	------------	------------



- NOTE 1. INTENDED FOR PROTOTYPE AND TESTING PURPOSES.
- NOTE 2. REFERENCE TERMINAL DRAWING AND SPECIFICATIONS FOR MORE DETAIL.
- NOTE 3. WIRE COLOR IS NOT DETERMINED. SUBJECT TO CHANGE.
- NOTE 4. TERMINAL CRIMPED ON BOTH ENDS.
- NOTE 5. THE CRIMPED WIRE SHOULD ONLY BE INSERTED TO THE SPECIFIED JAE HOUSING AND CAVITY.
- NOTE 6. REFERENCE THE JAE SPECIFICATION AND INSTRUCTION MANUAL FOR PROPER HANDLING AND APPLICABLE HOUSING PART NUMBERS.

2	WIRE	—	UL1571 (AWG #30)	COLOR:- (NOTE3)	—
1	FI-C3-A1 (-15000)	2	PHOSPHOR BRONZE	PLATING: Au OVER Ni	SJ030670
符号 NO.	名称 DESCRIPTION	個数 QTY.	材料 MATERIAL	仕上 FINISH	備考 REMARKS
仕様書 (SPECIFICATION) JACS-1493-*		第1版 (ORIGINAL DATE) 08/FEB/2024		尺度 (SCALE) 1:1	シリーズ (SERIES) MX
一般公差 (GENERAL TOLERANCE)		製図 DR. T. SHIODA		日本航空電子工業株式会社 JAPAN AVIATION ELECTRONICS INDUSTRY, LTD. 名称 (TITLE) C2777- FI-C3-A1- AWG30-300	
寸法 (DIMENSION)		担当 CHK. T. SHIODA			
角度 (ANGLES)		査閲 APPD. —			
単位 (UNIT) : mm		承認 APPD. Y. TAKAGI			
. ±0.8	×° ±	シートの (SHEET NO.) 1 OF 1		質量 (MASS)	図面番号 (DRAWING NO.) CAL24-003
. × ±0.4	×°' ±				
. ×× ±0.1					
. ××× ±					

DCF-C-2121 (20.02)



S/W

SIZE A3
版数 (VER.) 1