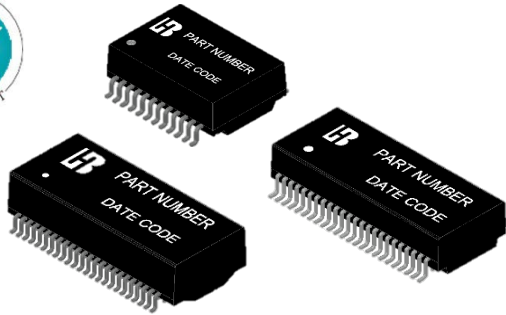






2.5GBase-T Magnetic Modules

A VP6014xx, AVP9014xx, AGS9015xx, AGS6014xx



-  IEEE802.3bz/af/at/bt Compliant Options
-  Compatible with all Major PHYs
-  RoHS compliant and Halogen Free
-  Ideal for Commercial or Industrial switches and high-volume consumer applications

Electrical Specification @ 25°

PART NUMBER	Media side Inductance (@100KHz/0.1Ve) uH min	Insertion Loss dB max		Return Loss dB min		PoE (Current Per Pair mA)	Operating Temperature (°C)	Isolation (Pri:Sec)	Note
		1-100MHz	125 MHz	1-40 MHz	40 < f ≤ 125 MHz				
AVP6014R	180	-1.0	-1.5	-16	- (16-10 log ₁₀ (f/40))	600	0 to +70	1500Vrms	-
AGS6014R	180	-1.0	-1.5	-16	- (16-10 log ₁₀ (f/40))	600	0 to +70	1500Vrms	-
AVP6014S	180	-1.0	-1.5	-16	- (16-10 log ₁₀ (f/40))	600	0 to +70	1500Vrms	Surge DM4.3KV
AVP9014RS5M	180	-1.0	-1.5	-16	- (16-10 log ₁₀ (f/40))	1000	-40 to +85	1500Vrms	Surge DM3KV
AVP9014RM	180	-1.0	-1.5	-16	- (16-10 log ₁₀ (f/40))	1000	-40 to +85	1500Vrms	-
AGS9015RM	180	-1.0	-1.5	-16	- (16-10 log ₁₀ (f/40))	1000	-40 to +85	1500Vrms	-

Note: Refer to the specification for detail

Process and Materials

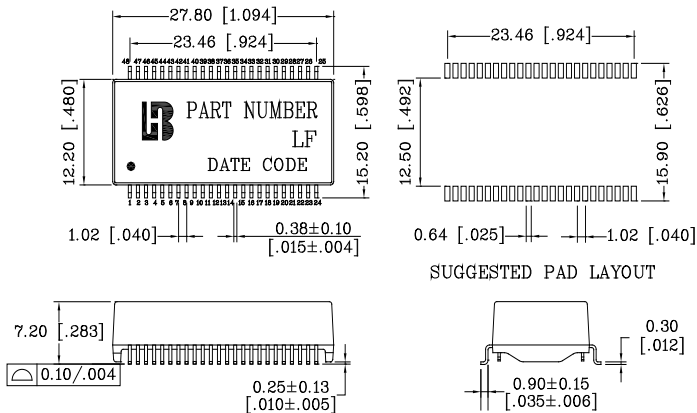
1. Storage Temperature: Refer to the specification for details
2. Compliance to J-STD:
 - A. J-STD-002: Solderability at 245°C Reflow Profile
 - B. J-STD-020: Moisture Sensitive Level 1
 - C. J-STD-075: R7, 245°C Maximum Through Reflow Solder
3. All parts come in 13" (330mm) Diameter Tape and reel I - see page 3-4 for details
4. Header: DAP (Diallyl Phthalate) with flammability Rating UL 94V-0 or better
5. Lead Frame: Cooper Alloy
 - Underplated: Half Hard Ductile Nickel 40-118" (1.0 -3.0um)
 - Over plated: 100% Tin electro-deposited per 240~400u"Min(6~10um)
 - Finish: Matte finish 100% Tin solder

2.5GBase-T Magentic Modules

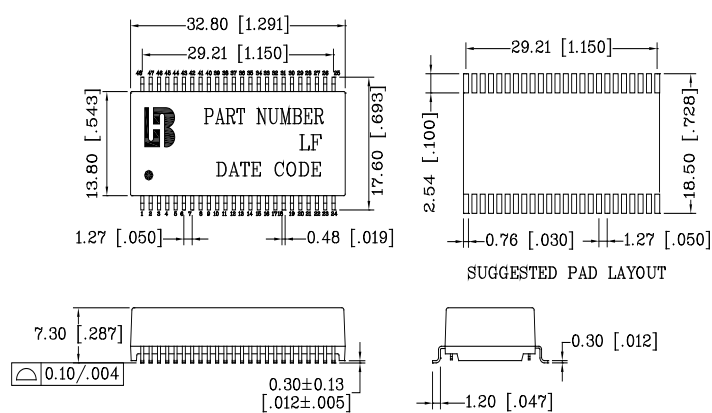
AVP6014xx, AVP9014xx, AGS9015xx, AGS6014xx

Mechanical

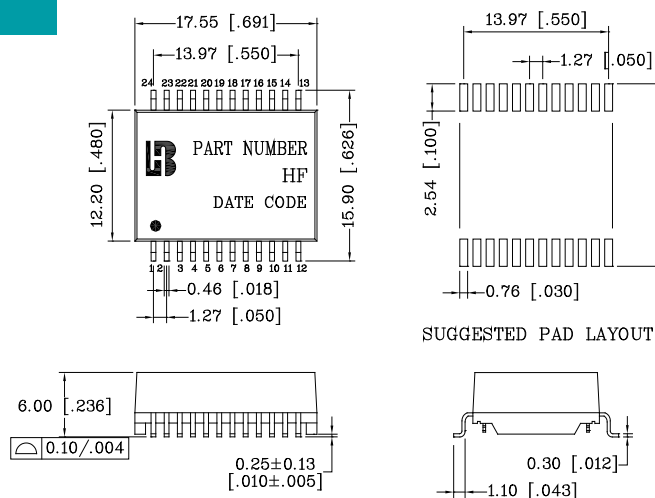
AGS6014R



AGS9015RM



AVP6014xx, AVP9014xx

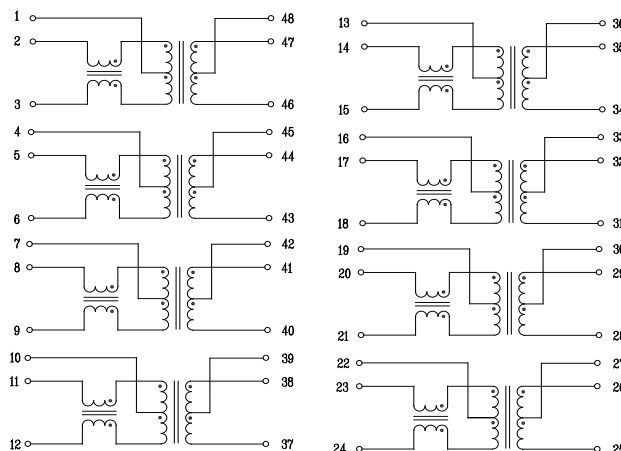


Dimensions: mm / [Inches]
Unless otherwise specified, all tolerances are:

xx.xx ±0.25 [.010]
0.xx ±0.05 [.002]

Schematic

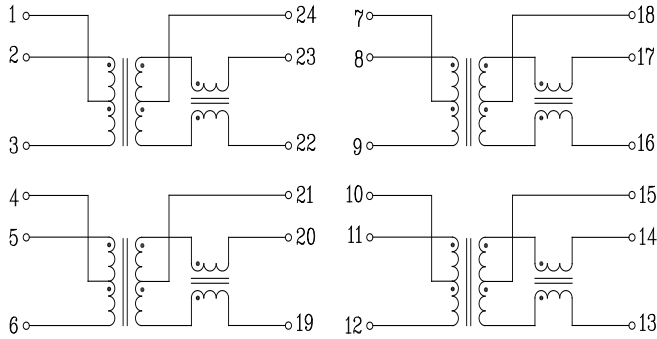
AGS6014R, AGS9015RM



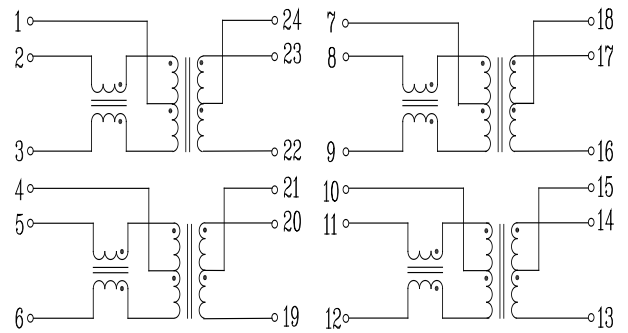
2.5GBase-T Magnetic Modules

AVP 6014xx, AVP9014xx, AGS9015xx, GS6014Rxx

AVP6014S

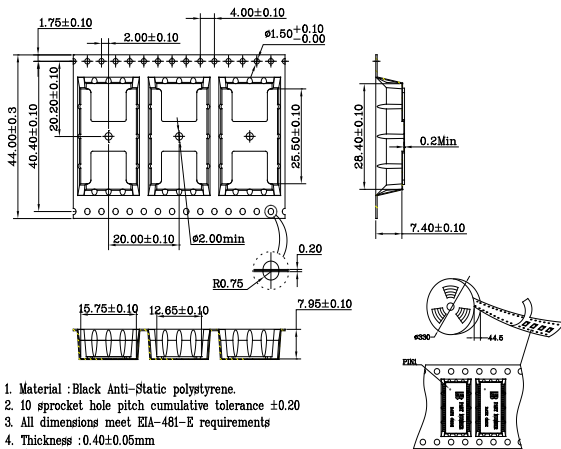


AVP6014R, AVP9014RM, AVP9014RS5M



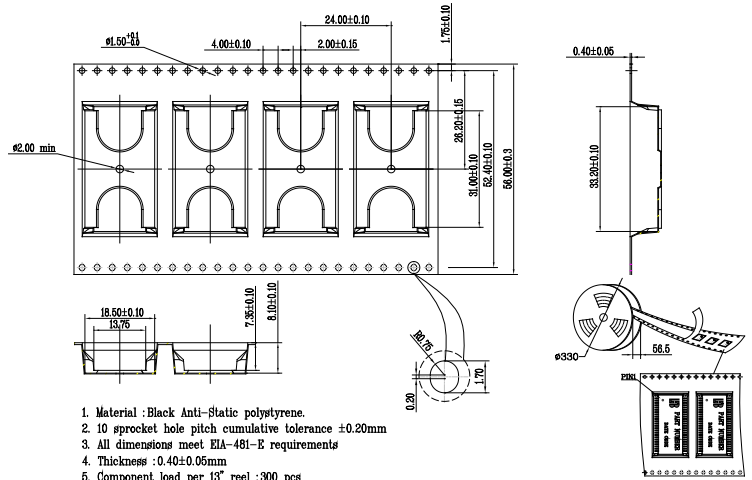
Tape & Reel

AGS6014R



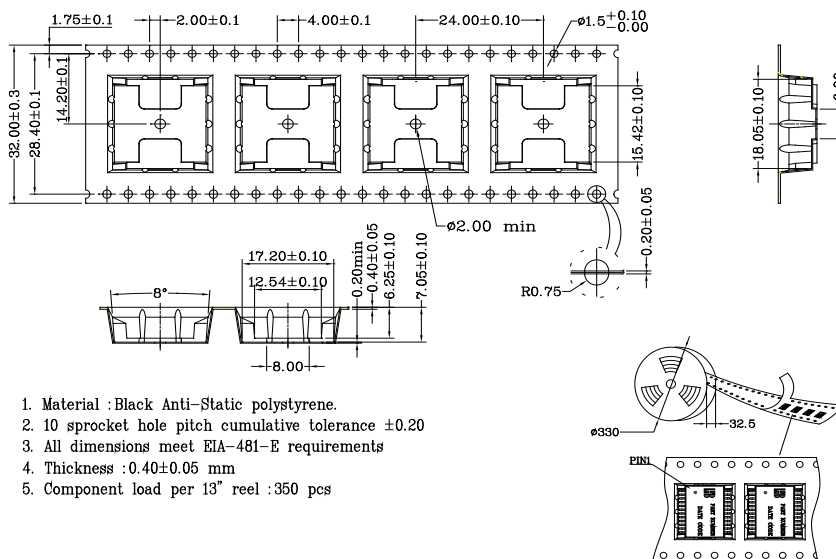
1. Material : Black Anti-Static polystyrene.
2. 10 sprocket hole pitch cumulative tolerance ± 0.20
3. All dimensions meet EIA-481-E requirements
4. Thickness : 0.40 ± 0.05 mm
5. Component load per 13" reel : 350 pcs

AGS9015RM



1. Material : Black Anti-Static polystyrene.
2. 10 sprocket hole pitch cumulative tolerance ± 0.20 mm
3. All dimensions meet EIA-481-E requirements
4. Thickness : 0.40 ± 0.05 mm
5. Component load per 13" reel : 300 pcs

AVP6014R, AVP9014RM, AVP9014RS5M, AVP6014S



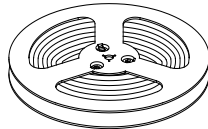
1. Material : Black Anti-Static polystyrene.
2. 10 sprocket hole pitch cumulative tolerance ± 0.20
3. All dimensions meet EIA-481-E requirements
4. Thickness : 0.40 ± 0.05 mm
5. Component load per 13" reel : 350 pcs

2.5GBase-T Magnetic Modules

AVP6014xx, AVP9014xx, AGS9015xx, GS6014Rxx

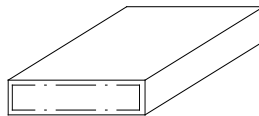
Carton Package

AVP6014R, AVP6014S, AVP9014RM, AVP9014RS5M, AGS6014R

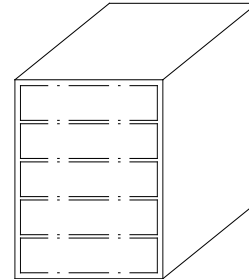


REEL

1. 1 REEL=350PCS
2. 1 INNER BOX=1 REEL=350PCS
3. 1 OUTER CARTON=5 INNER BOXES=1750PCS

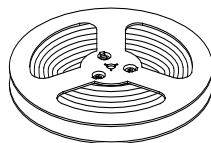


INNER BOX: 347x347x82



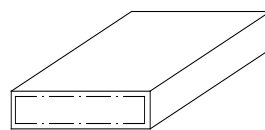
OUTER CARTON: 375x375x470

AGS9015RM

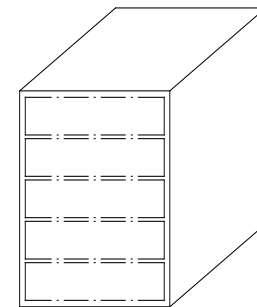


REEL

1. 1 REEL=300PCS
2. 1 INNER BOX=1 REEL=300PCS
3. 1 OUTER CARTON=5 INNER BOXES=1500PCS



INNER BOX: 347x347x82



OUTER CARTON: 375x375x470

For More Information:

Americas-prodinfonetworkamericas@pulseelectronics.com | Europe-comms-Apps-Europe@pulseelectronics.com | Asia-prodinfonetworkapac@pulseelectronics.com

Performance warranty of products offered on this datasheet is limited to the parameters specified. Data is subject to change without notice. Other brand and product names mentioned herein maybe trademarks or registered trademarks of their respective owners.

©Copyright,2021.PulseElectronics,Inc.Allrightsreserved.