

## Straight Cable Mount, Triax Connector, Plug

**RoHS  
Compliant**

Stock No.: 5254533C063

### FEATURES

- 75Ω Impedance
- Cable Mount



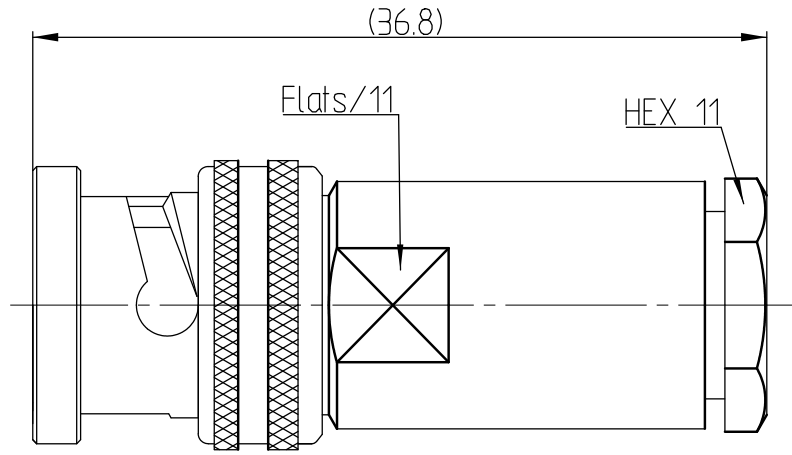
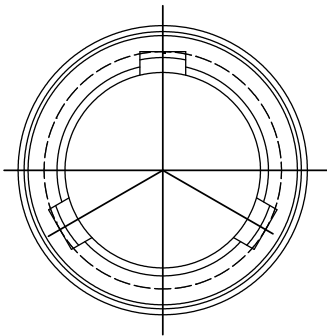
### Product Description

A triaxial connector is a coaxial connector with a triplex structure designed to achieve the usual coaxial connector shielding effect. Measuring equipment, TV camera systems, high-volume data transmission systems

### General Specifications

Attribute	Value
Coaxial Connector Type	Triax Connector
Gender	Male
Mounting Type	Cable Mount
Body Orientation	Straight
Operating Frequency	0 to 500MHz
Body Plating	Nickel
Contact Material	Beryllium Copper, Brass
Contact Plating	Gold

**Product Drawing**



3 Materials&plating

- 3.1 Body: Brass; Suco-plated
- 3.2 Insulator: Teflon
- 3,3 Contact Pin: Bronze Gold plated
- 3.4 Outer contact : Brass Gold plated

Dimensions: Millimeters (Inches)

**Part Number Table**

Part Number	Description
5254533C063	Straight Cable Mount, Triax Connector, Plug

Important Notice: This data sheet and its contents (the "Information") belong to the members of the EASE group of companies (the "Group") or are licensed to it. No license is granted for the use of it other than for information purposes in connection with the products to which it relates. No license of any intellectual property rights is granted. The Information is subject to change without notice and replaces all data sheets previously supplied. The Information supplied is believed to be accurate, but the Group assumes no responsibility for its accuracy or completeness, any error in or omission from it or for any use made of it. Users of this data sheet should check for themselves the Information and the suitability of the products for their purpose and not make any assumptions based on information included or omitted. Liability for loss or damage resulting from any reliance on the Information or use of it (including liability resulting from negligence or where the Group was aware of the possibility of such loss or damage arising) is excluded. This will not operate to limit or restrict the Group's liability for death or personal injury resulting from its negligence. EASE is the registered trademark of Ease Electronics Co., Limited 2019.