



ESSENTRA

COMPONENTS



CABLE TIES AND CLIPS

From standard cable ties to special application cable ties, Essentra's range offers a solution for any electrical application.

- Available in a wide range of materials, sizes and colours to suit all applications
- Manage complex cabling with easy-to-install solutions suited to demanding and varied environments
- Quality industry-accredited solutions built to withstand continued intensive use

www.essentracomponents.co.uk

CABLE TIES AND CLIPS

CABLE TIES



188

CABLE MOUNTS



210

TWIST TIES & CABLE CLIPS



219

WIRE SADDLES



238

STAND OFF CLIPS



254

SCREW, ADHESIVE &
FLAT CABLE MOUNTS



258

Cable ties

- Essentra Components offers tough, high quality cable ties suitable for a wide range of electrical applications
- Essentra Components stocks a wide range of materials, sizes and colours for almost every application
- Don't forget to stock up on our extensive range of wiring accessories for all of your cable management solutions
- All in stock for same day dispatch

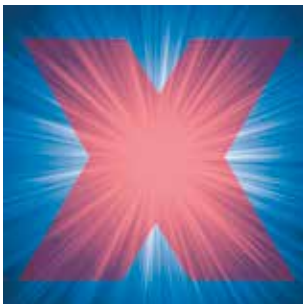


Cable tie storage guide

- Essentra Components' cable ties are manufactured from high quality Nylon
- Nylon is a hygroscopic material. This means that the material absorbs and loses moisture. For optimum performance, it is important that moisture content in the material remains at a level of 2.5%
- Essentra Components' packaging ensures that the water content in the material remains consistent. It is important to store the cable ties in the original packaging supplied to preserve the quality of the ties. Improper storage, especially in dry or cold conditions, can result in a moisture loss, which may affect cable tie performance. Once the bag is opened, the cable ties should be used as quickly as possible

Here are our top tips for optimum cable tie storage

- Do not expose or store the cable ties to direct sunlight
- Do not expose or store the cable ties close to direct sources of extreme heat
- The ideal climate for the storage of cable ties is central european climate



Standard Cable Ties

SR 1785

Nylon 6.6

- Lock to prevent accidental removal
- Flammability rating: UL94 V2



Part Number		Max Cable Bundle Dia (mm)	Dimensions (mm)		Tensile LBS/kg	Std Pack Qty
Natural	Black		Length	Width		
460175	460206	15.0	75.0	2.4	18/8	100
460176	460207	21.0	96.0	2.5	18/8	100
460177	460208	25.0	100.0	2.5	18/8	100
460178	460209	30.0	120.0	2.5	18/8	100
460179	460210	35.0	142.0	2.5	18/8	100
460180	460211	44.0	165.0	2.5	18/8	100
460181	460212	55.0	203.0	2.5	18/8	100
460182	460213	30.0	120.0	3.2	40/18	100
460183	460214	35.0	142.0	3.2	40/18	100
460185	460216	55.0	203.0	3.2	40/18	100
460184	460215	39.0	150.0	3.6	40/18	100
460194	460225	49.0	180.0	3.6	50/22	100
460186	460217	55.0	203.0	3.6	40/18	100
460187	460218	74.0	250.0	3.6	40/18	100
460188	460219	78.0	265.0	3.6	40/18	100
460189	460220	85.0	292.0	3.6	40/18	100
460190	460221	96.0	331.0	3.6	40/18	100
460191	460222	102.0	368.0	3.6	40/18	100
460192	460223	30.0	120.0	4.8	50/22	100
460193	460224	42.0	160.0	4.8	50/22	100
460195	460226	52.0	190.0	4.8	50/22	100
460196	460227	55.0	203.0	4.6	50/22	100
460197	460228	74.0	250.0	4.8	50/22	100
460198	460229	81.0	280.0	4.8	50/22	100

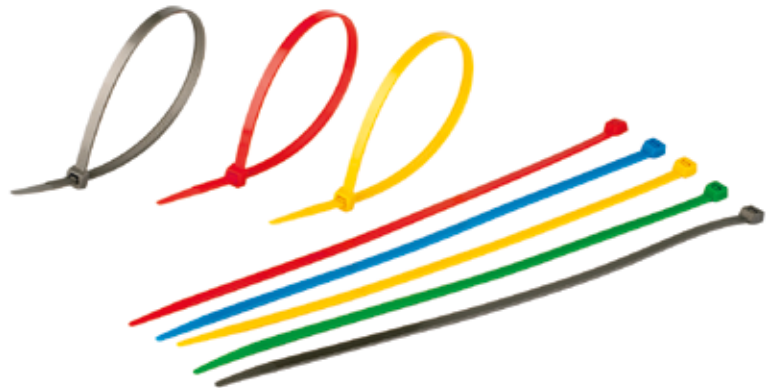
Part Number		Max Cable Bundle Dia (mm)	Dimensions (mm)		Tensile LBS/kg	Std Pack Qty
Natural	Black		Length	Width		
460199	460230	85.0	300.0	4.8	50/22	100
460200	460231	89.0	310.0	4.8	50/22	100
460201	460232	102.0	368.0	4.8	50/22	100
460202	460233	116.0	385.0	4.8	50/22	100
460203	460234	125.0	432.0	4.8	50/22	100
460204	460235	130.0	450.0	4.8	50/22	100
460205	460236	150.0	500.0	4.8	50/22	100
461165	461182	39.0	150.0	7.6	120/55	100
461166	461183	55.0	203.0	7.6	120/55	100
461167	461184	66.0	240.0	7.6	120/55	100
461168	461185	78.0	280.0	7.6	120/55	100
461169	461186	88.0	300.0	7.6	120/55	100
461170	461187	99.0	340.0	7.6	120/55	100
461171	461188	110.0	380.0	7.6	120/55	100
461172	461189	133.0	450.0	8.0	175/80	100
461173	461190	166.0	550.0	8.0	175/80	100
461174	461191	185.0	610.0	9.0	175/80	100
461175	461192	210.0	685.0	9.0	175/80	100
461176	461193	220.0	710.0	9.0	175/80	100
461177	461194	236.0	762.0	9.0	175/80	100
461178	461195	246.0	812.0	9.0	175/80	100
461179	461196	270.0	914.0	9.0	175/80	100
461180	461197	360.0	1168.0	9.0	175/80	100
461181	461198	380.0	1219.0	9.0	175/80	100

Coloured Cable Ties

SR 1762

Nylon 6.6

- Lock to prevent accidental removal
- Flammability rating: UL94 V2
- Easier Cable Management
- Provide Colour Coding system
- Provide Colour matching



Part Number					Max Cable Bundle Dia (mm)	Dimensions (mm)		Std Pack Qty
Red	Blue	Green	Yellow	Silver		Length	Width	
460177-R	460177-B	460177-G	460177-Y	460177-S	25.0	100.0	2.5	100
460181-R	460181-B	460181-G	460181-Y	460181-S	55.0	203.0	2.5	100
460184-R	460184-B	460184-G	460184-Y	460184-S	39.0	150.0	3.6	100
460187-R	460187-B	460187-G	460187-Y	460187-S	74.0	250.0	3.6	100
460227-R	460227-B	460227-G	460227-Y	460227-S	55.0	203.0	4.6	100
460201-R	460201-B	460201-G	460201-Y	460201-S	102.0	368.0	4.8	100
460230-R	460230-B	460230-G	460230-Y	460230-S	85.0	300.0	4.8	100
461188-R	461188-B	461188-G	461188-Y	461188-S	110.0	380.0	7.6	100

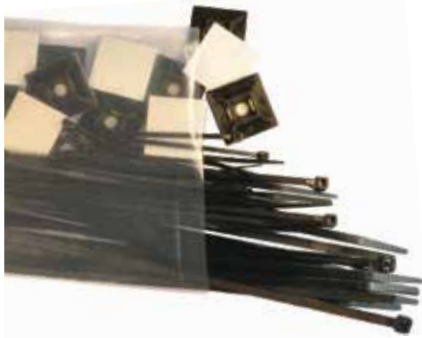
CABLE TIES

Cable Tie Kits

SR 1746

Nylon 6.6

- Convenient cable tie kits
- 5 collections of different sized cable ties and adhesive tie mounts supplied in a handy carry bag



494654 - 2500 Piece Cable Tie Kit Black

Part Number	Max Cable Bundle Dia (mm)	Dimensions (mm)		Tensile LBS/kg	Kit Qty	Std Pack Qty
		Length	Width			
460208	25.0	100.0	2.5	18/8	500	100
460215	39.0	150.0	3.6	40/18	500	100
460217	55.0	203.0	3.6	40/18	500	100
460229	81.0	280.0	4.8	50/22	500	100
460233	116.0	385.0	4.8	50/22	400	100

Adhesive Tie Mounts *

Part Number	Tie Width (mm)	Dimensions (mm)			Hole Diameter (mm)	Kit Qty	Std Pack Qty
		W1	L	H			
494647	2.4-4.8	5.0	28 x 28	4.0	5.0	100	100

494655 - 2500 Piece Cable Tie Kit Natural

Part Number	Max Cable Bundle Dia (mm)	Dimensions (mm)		Tensile LBS/kg	Kit Qty	Std Pack Qty
		Length	Width			
460177	25.0	100.0	2.5	18/8	500	100
460184	39.0	150.0	3.6	40/18	500	100
460186	55.0	205.0	3.6	40/18	500	100
460198	81.0	280.0	4.8	50/22	500	100
460202	116.0	385.0	4.8	50/22	400	100

Adhesive Tie Mounts *

Part Number	Tie Width (mm)	Dimensions (mm)			Hole Diameter (mm)	Kit Qty	Std Pack Qty
		W1	L	H			
460333	2.4-4.8	5.0	28 x 28	4.0	5.0	100	100

494656 - 1000 Piece Cable Tie Kit Black

Part Number	Max Cable Bundle Dia (mm)	Dimensions (mm)		Tensile LBS/kg	Kit Qty	Std Pack Qty
		Length	Width			
460208	25.0	100.0	2.5	18/8	300	100
460217	55.0	203.0	3.6	40/18	300	100
460229	81.0	280.0	4.8	50/22	300	100

Adhesive Tie Mounts *

Part Number	Tie Width (mm)	Dimensions (mm)			Hole Diameter (mm)	Kit Qty	Std Pack Qty
		W1	L	H			
494647	2.4-4.8	5.0	28 x 28	4.0	5.0	100	100

* Please see page 215 for drawing of adhesive tie mounts

494657 - 1000 Piece Cable Tie Kit Natural

Part Number	Max Cable Bundle Dia (mm)	Dimensions (mm)		Tensile LBS/kg	Kit Qty	Std Pack Qty
		Length	Width			
460177	25.0	100.0	2.5	18/8	300	100
460186	55.0	205.0	3.6	40/18	300	100
460198	81.0	280.0	4.8	50/22	300	100

Adhesive Tie Mounts *

Part Number	Tie Width (mm)	Dimensions (mm)			Hole Diameter (mm)	Kit Qty	Std Pack Qty
		W1	L	H			
460333	2.4-4.8	5.0	28 x 28	4.0	5.0	100	100

494658 - 2500 Piece Cable Tie Kit Mixed Colours

Part Number	Max Cable Bundle Dia (mm)	Dimensions (mm)		Tensile LBS/kg	Colour	Kit Qty	Std Pack Qty
		Length	Width				
460177	25.0	100.0	2.5	18/8	Natural	200	100
460208	25.0	100.0	2.5	18/8	Black	200	100
460177-R	25.0	100.0	2.5	18/8	Red	200	100
460177-G	25.0	100.0	2.5	18/8	Green	200	100
460177-B	25.0	100.0	2.5	18/8	Blue	200	100
460177-Y	25.0	100.0	2.5	18/8	Yellow	200	100
460196	55.0	203.0	4.6	50/22	Natural	100	100
460227	55.0	203.0	4.6	50/22	Black	100	100
460227-G	55.0	203.0	4.6	50/22	Green	100	100
460227-B	55.0	203.0	4.6	50/22	Blue	100	100
460227-R	55.0	203.0	4.6	50/22	Red	100	100
460227-Y	55.0	203.0	4.6	50/22	Yellow	100	100
460199	85.0	300.0	4.8	50/22	Natural	100	100
460230	85.0	300.0	4.8	50/22	Black	100	100
460230-R	85.0	300.0	4.8	50/22	Red	100	100
460230-B	85.0	300.0	4.8	50/22	Blue	100	100
460230-G	85.0	300.0	4.8	50/22	Green	100	100
460230-Y	85.0	300.0	4.8	50/22	Yellow	100	100

Adhesive Tie Mounts *

Part Number	Tie Width (mm)	Dimensions (mm)			Hole Diameter (mm)	Kit Qty	Std Pack Qty
		W1	L	H			
460333	2.4-4.8	5.0	28 x 28	4.0	5.0	100	100

Heavy-Duty Cable Ties

SR 1766

Nylon 6.6

Benefits as standard version plus:

- Higher tensile strength for more demanding applications



Part Number		Max Cable Bundle Dia (mm)	Dimensions (mm)		Tensile LBS/kg	Std Pack Qty
Natural	Black		Length	Width		
460237	461883	63.0	230.0	12.7	250/114	100
460238	461884	80.0	280.0	12.7	250/114	100
460239	461885	110.0	380.0	12.7	250/114	100
460240	461886	140.0	480.0	12.7	250/114	100
460241	461887	166.0	550.0	12.7	250/114	100
460242	461888	175.0	580.0	12.7	250/114	100
460243	461889	225.0	730.0	12.7	250/114	100
460244	461890	267.0	880.0	12.7	250/114	100
460245	461891	317.0	1030.0	12.7	250/114	100

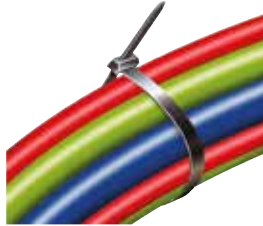
UV-Resistant Cable Ties

SR 1767

Black Nylon 6.6

Benefits as standard version plus:

- UV-resistant for outdoor use

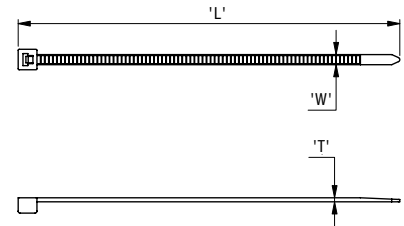


Part Number	Max Cable Bundle Dia (mm)	Dimensions (mm)		Tensile LBS/kg	Std Pack Qty
		Length	Width		
460246	18.0	75.0	2.4	18/8	100
460247	23.0	96.0	2.5	18/8	100
460248	25.0	100.0	2.5	18/8	100
460249	30.0	120.0	2.5	18/8	100
460250	35.0	142.0	2.5	18/8	100
460251	44.0	165.0	2.5	18/8	100
460252	55.0	203.0	2.5	18/8	100
460253	30.0	120.0	3.2	40/18	100
460254	35.0	142.0	3.2	40/18	100
460256	55.0	203.0	3.2	40/18	100
460255	39.0	150.0	3.6	40/18	100
460257	55.0	203.0	3.6	40/18	100
460258	74.0	250.0	3.6	40/18	100
460259	78.0	265.0	3.6	40/18	100
460260	85.0	292.0	3.6	40/18	100
460261	96.0	331.0	3.6	40/18	100
460262	102.0	368.0	3.6	40/18	100
460265	49.0	180.0	4.0	50/22	100
460263	30.0	120.0	4.8	50/22	100
460264	42.0	160.0	4.8	50/22	100
460266	52.0	190.0	4.8	50/22	100
460267	55.0	203.0	4.6	50/22	100
460268	74.0	250.0	4.8	50/22	100
460269	81.0	280.0	4.8	50/22	100
460270	85.0	299.0	4.8	50/22	100
460271	89.0	310.0	4.8	50/22	100
460272	102.0	368.0	4.8	50/22	100
460273	116.0	385.0	4.8	50/22	100
460274	125.0	432.0	4.8	50/22	100

Heat Stabilized Cable Ties

RG-HS

UL94 V-2 Heat Stabilized Nylon 6/6, RMS-164



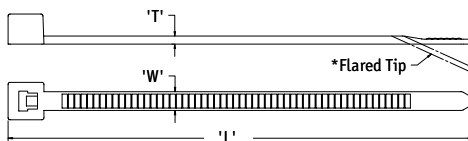
Part Number	Min. Loop Tensile Strength (Kg)	Dimensions (mm)			Max. Bundle Ø Ref.	Std Pack Qty
		'W'	'L'	'T'		
RG-203-HS	8.0	2.5	98	1.0	21	100
RG-209-HS	13.0	3.6	140	1.1	35	100
RG-214-HS	13.0	3.6	200	1.3	50	100
RG-215-HS	22.4	4.8	200	1.3	50	100
RG-217-HS	22.4	4.8	290	1.4	79	100
RG-227-HS	55.0	7.5	365	1.7	100	100

High Temperature Cable Ties

WIT-HT

Natural UL94 V-2 Nylon 4/6, RMS-109

- Temperature range: -40 to 130 °C



Part Number	Min. Loop Tensile Strength (Kg)	Dimensions (mm)			Max. Bundle Ø	Std Pack Qty
		'W'	'L'	'T'		
WIT-18R-HT-M	8	2.5	114.8	1.0	25.4	1000
WIT-50R-HT-M	18	4.8	203.2	1.3	50.8	1000



CALL
0845 758
5070

WE ARE HERE TO HELP...

Our Customer Service advisors are friendly, knowledgeable, and ready to help you find the right product for your application.

www.essentracomponents.co.uk

CABLE TIES

Cable Tie Guns

SR 1785



Type 1 Light Duty



Type 2 Heavy Duty

Part Number	Type	Fits Cable Ties (mm)	Std Pack Qty
497656	1	2.5-5.0	1
497659	2	2.5-10.0	1

Releasable Ties

SR 1768

Natural and Black Nylon 6.6

Benefits as standard version plus:

- Ties remain locked until intentionally released
- Ideal in a variety of applications where temporary fastening or servicing is required
- Type 2 features a push button for easy release



Type 1

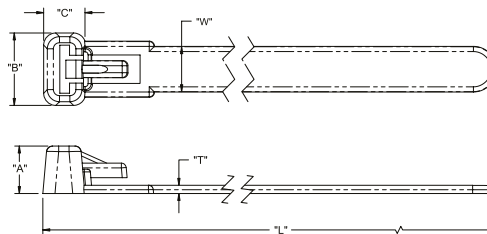
Part Number		Max Cable Bundle Dia (mm)	Dimensions (mm)		Tensile LBS/kg	Std Pack Qty
Natural	Black		Length	Width		
461253	461272	25.0	100.0	3.6	40/18	100
461254	461273	39.0	150.0	4.7	50/22	100
461255	461274	55.0	200.0	4.7	50/22	100
461256	461275	74.0	250.0	4.8	50/22	100
461257	461276	88.0	300.0	4.8	50/22	100
461258	461277	102.0	370.0	4.8	50/22	100

Type 2

Part Number		Max Cable Bundle Dia (mm)	Dimensions (mm)		Tensile LBS/kg	Std Pack Qty
Natural	Black		Length	Width		
461267	461248	30.0	125.0	7.6	50/22	100
461268	461249	35.0	150.0	7.6	50/22	100
461269	461250	50.0	200.0	8.0	50/22	100
461270	461251	65.0	250.0	7.6	50/22	100
461271	461252	80.0	300.0	8.0	50/22	100

Release Tab Wrap-It Tie

WIT-RT



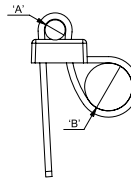
Part Number		Min. Loop Tensile Strength (Kg)	Dimensions (mm)							Standard Pack Qty
Natural UL94 V-2 Nylon 6/6, RMS-01	Black UL94 V-2 UV Stabilized Nylon 6/6, RMS-46		'W'	'L'	'T'	Bundle Ø Range	'A'	'B'	'C'	
WIT-RT-1-M	WIT-RT-1-UVB-M	13	7.6	206	1.3	6.4 - 48	7.8	11.9	6.8	1000

Double-loop Cable Ties

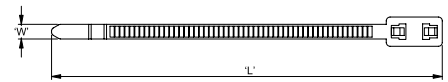
WIT-DH

UL94 V-2 Nylon 6.6, RMS-01

- Double head allows the tail to pass through twice creating two loops
- Ideal for attaching bundles to a unit or two bundles together



Part Number		Min. Loop Tensile Strength (Kg)	Dimensions (mm)				Std Pack Qty
Natural	Black		'W'	'L'	'A' Max. Bundle Ø	'B' Max. Bundle Ø	
WIT-DH-1	WIT-DH-1BK	22.2	4.8	200	47	45	100
WIT-DH-2	WIT-DH-2BK	22.2	4.8	300	72	70	100
WIT-DH-3	WIT-DH-3BK	22.2	4.8	372	100	97	100



Double-Locking Cable Ties

SR 6105

Black Nylon 6.6

- Double-locking head design creates more secure fastening
- Tensile strength of cable tie loop greater than that of a standard cable tie

Part Number	Max Cable Bundle Dia (mm)	Dimensions (mm)		Tensile LBS/kg	Std Pack Qty
		Length	Width		
490000	30.0	132.0	9.0	77/35	100
490001	45.0	180.0	9.0	77/35	100
490002	55.0	235.0	9.0	121/55	100
490003	78.0	265.0	9.0	121/55	100
490004	88.0	300.0	9.0	121/55	100
490005	100.0	360.0	9.0	121/55	100
490006	160.0	510.0	9.0	121/55	100
490007	180.0	610.0	9.0	121/55	100
490008	230.0	760.0	9.0	121/55	100



Coated Steel Ladder Ties

SR1779

316 Stainless Steel with black

Polyester coating

- Operating temperature range: - 80°C to 150°C
- Ladder construction reduces possibility of slippage
- Polyester coating provides extra cable protection and corrosion resistance in extreme environments
- Typical usages include: mass transit, ship building, oil rigs, hazardous areas, mining, petrochemicals and rail industries



Part Number	Max Cable Bundle Dia (mm)	Dimensions (mm)		Tensile LBS/kg	Std Pack Qty
		Length	Width		
495175	40	150	7	100/45	100
495176	65	225	7	100/45	100
495177	90	300	7	100/45	100
495178	110	450	7	100/45	100
495179	145	610	7	100/45	100
495180	40	150	12	244/111	100
495181	65	225	12	244/111	100
495182	90	300	12	244/111	100
495184	145	610	12	244/111	100

Coated Stainless Steel Cable Ties

SR1774

316 Stainless Steel

- Operating temperature range: - 80°C to 150°C
- Ball Lock Steel Ties are self locking, fast and easy to install
- Nylon coating provides extra cable protection and corrosion resistance in extreme environments
- Typical usages include: mass transit, ship building, oil rigs, hazardous areas, mining, petrochemicals and rail industries



Part Number	Max Cable Bundle Dia (mm)	Dimensions (mm)		Tensile LBS/kg	Std Pack Qty
		Length	Width		
495155	30	150	4.6	132/60	100
495156	50	200	4.6	132/60	100
495157	100	360	4.6	132/60	100
495158	150	520	4.6	132/60	100
495160	50	200	7.9	375/170	100
495161	100	360	7.9	375/170	100
495162	150	520	7.9	375/170	100
495164	250	840	7.9	375/170	100

CABLE TIES

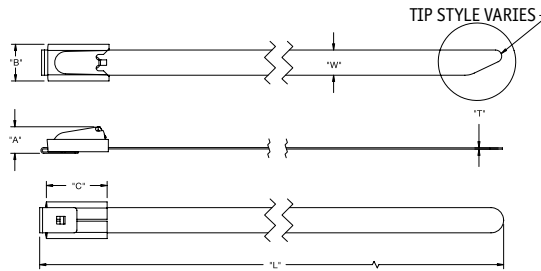
Stainless Steel Cable Tie Installation Tool

MTG-1



Stainless Steel Cable Ties

MT



Part Number	Min Loop Tensile Strength (Kg)	Dimensions (mm)							Material	Standard Pack
		"W"	"L" Length Approx.	"T"	Max. Bundle Ø	"A"	"B"	"C"		
MT-1	45	4.6	127	0.25	25	4.3	6.4	11.4	304 Stainless Steel, RMS-381	100
MT-2	45	4.6	201	0.25	51	4.3	6.4	11.4	304 Stainless Steel, RMS-381	100
MT-3	45	4.6	259	0.25	70	4.3	6.4	11.4	304 Stainless Steel, RMS-381	100
MT-4	45	4.6	362	0.25	102	4.3	6.4	11.4	304 Stainless Steel, RMS-381	100
MT-5	45	4.6	521	0.25	152	4.3	6.4	11.4	304 Stainless Steel, RMS-381	100
MT-6	45	4.6	679	0.25	203	4.3	6.4	11.4	304 Stainless Steel, RMS-381	100
MT-7	45	4.6	838	0.25	254	4.3	6.4	11.4	304 Stainless Steel, RMS-381	100
MT-8	45	4.6	998	0.25	304	4.3	6.4	11.4	304 Stainless Steel, RMS-381	50
MT-9	45	4.6	1250	0.25	380	4.3	6.4	11.4	304 Stainless Steel, RMS-381	50
MT-10	113	7.9	201	0.25	51	5.6	10.2	13.8	304 Stainless Steel, RMS-381	100
MT-11	113	7.9	362	0.25	102	5.6	10.2	13.8	304 Stainless Steel, RMS-381	100
MT-12	113	7.9	521	0.25	152	5.6	10.2	13.8	304 Stainless Steel, RMS-381	100
MT-13	113	7.9	679	0.25	203	5.6	10.2	13.8	304 Stainless Steel, RMS-381	100
MT-14	113	7.9	838	0.25	254	5.6	10.2	13.8	304 Stainless Steel, RMS-381	50
MT-15	113	7.9	998	0.25	304	5.6	10.2	13.8	304 Stainless Steel, RMS-381	50
MT-16	45	4.6	127	0.25	25	4.3	6.4	11.4	316 Stainless Steel, RMS-382	100
MT-17	45	4.6	201	0.25	51	4.3	6.4	11.4	316 Stainless Steel, RMS-382	100
MT-18	45	4.6	259	0.25	70	4.3	6.4	11.4	316 Stainless Steel, RMS-382	100
MT-19	45	4.6	362	0.25	102	4.3	6.4	11.4	316 Stainless Steel, RMS-382	100
MT-20	45	4.6	521	0.25	152	4.3	6.4	11.4	316 Stainless Steel, RMS-382	100
MT-21	45	4.6	679	0.25	203	4.3	6.4	11.4	316 Stainless Steel, RMS-382	100
MT-22	45	4.6	838	0.25	254	4.3	6.4	11.4	316 Stainless Steel, RMS-382	100
MT-23	45	4.6	998	0.25	304	4.3	6.4	11.4	316 Stainless Steel, RMS-382	50
MT-25	113	7.9	201	0.25	51	5.6	10.2	13.8	316 Stainless Steel, RMS-382	100
MT-26	113	7.9	362	0.25	102	5.6	10.2	13.8	316 Stainless Steel, RMS-382	100
MT-27	113	7.9	521	0.25	152	5.6	10.2	13.8	316 Stainless Steel, RMS-382	100
MT-30	113	7.9	998	0.25	304	5.6	10.2	13.8	316 Stainless Steel, RMS-382	50

Stainless Steel Ladder Ties

SR 1779

316 Stainless Steel

- Operating temperature range: -80°C to 538°C
- Ladder construction reduces possibility of slippage
- Typical usages include: mass transit, ship building, oil rigs, hazardous areas, mining, petrochemicals and rail industries



Part Number	Max Cable Bundle Dia (mm)	Dimensions (mm)		Tensile LBS/kg	Std Pack Qty
		Length	Width		
495165	40	150	7	100/45	100
495166	65	225	7	100/45	100
495167	90	300	7	100/45	100
495168	110	450	7	100/45	100
495169	145	610	7	100/45	100
495170	40	150	12	244/111	100
495171	65	225	12	244/111	100
495172	90	300	12	244/111	100
495173	110	450	12	244/111	100
495174	145	610	12	244/111	100

CABLE TIES

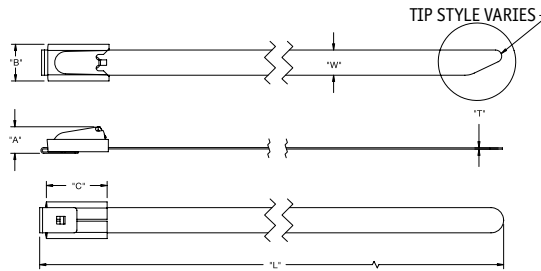
Stainless Steel Cable Tie Installation Tool

MTG-1



Stainless Steel Cable Ties

MT



Part Number	Min Loop Tensile Strength (Kg)	Dimensions (mm)							Material	Standard Pack
		"W"	"L" Length Approx.	"T"	Max. Bundle Ø	"A"	"B"	"C"		
MT-1	45	4.6	127	0.25	25	4.3	6.4	11.4	304 Stainless Steel, RMS-381	100
MT-2	45	4.6	201	0.25	51	4.3	6.4	11.4	304 Stainless Steel, RMS-381	100
MT-3	45	4.6	259	0.25	70	4.3	6.4	11.4	304 Stainless Steel, RMS-381	100
MT-4	45	4.6	362	0.25	102	4.3	6.4	11.4	304 Stainless Steel, RMS-381	100
MT-5	45	4.6	521	0.25	152	4.3	6.4	11.4	304 Stainless Steel, RMS-381	100
MT-6	45	4.6	679	0.25	203	4.3	6.4	11.4	304 Stainless Steel, RMS-381	100
MT-7	45	4.6	838	0.25	254	4.3	6.4	11.4	304 Stainless Steel, RMS-381	100
MT-8	45	4.6	998	0.25	304	4.3	6.4	11.4	304 Stainless Steel, RMS-381	50
MT-9	45	4.6	1250	0.25	380	4.3	6.4	11.4	304 Stainless Steel, RMS-381	50
MT-10	113	7.9	201	0.25	51	5.6	10.2	13.8	304 Stainless Steel, RMS-381	100
MT-11	113	7.9	362	0.25	102	5.6	10.2	13.8	304 Stainless Steel, RMS-381	100
MT-12	113	7.9	521	0.25	152	5.6	10.2	13.8	304 Stainless Steel, RMS-381	100
MT-13	113	7.9	679	0.25	203	5.6	10.2	13.8	304 Stainless Steel, RMS-381	100
MT-14	113	7.9	838	0.25	254	5.6	10.2	13.8	304 Stainless Steel, RMS-381	50
MT-15	113	7.9	998	0.25	304	5.6	10.2	13.8	304 Stainless Steel, RMS-381	50
MT-16	45	4.6	127	0.25	25	4.3	6.4	11.4	316 Stainless Steel, RMS-382	100
MT-17	45	4.6	201	0.25	51	4.3	6.4	11.4	316 Stainless Steel, RMS-382	100
MT-18	45	4.6	259	0.25	70	4.3	6.4	11.4	316 Stainless Steel, RMS-382	100
MT-19	45	4.6	362	0.25	102	4.3	6.4	11.4	316 Stainless Steel, RMS-382	100
MT-20	45	4.6	521	0.25	152	4.3	6.4	11.4	316 Stainless Steel, RMS-382	100
MT-21	45	4.6	679	0.25	203	4.3	6.4	11.4	316 Stainless Steel, RMS-382	100
MT-22	45	4.6	838	0.25	254	4.3	6.4	11.4	316 Stainless Steel, RMS-382	100
MT-23	45	4.6	998	0.25	304	4.3	6.4	11.4	316 Stainless Steel, RMS-382	50
MT-25	113	7.9	201	0.25	51	5.6	10.2	13.8	316 Stainless Steel, RMS-382	100
MT-26	113	7.9	362	0.25	102	5.6	10.2	13.8	316 Stainless Steel, RMS-382	100
MT-27	113	7.9	521	0.25	152	5.6	10.2	13.8	316 Stainless Steel, RMS-382	100
MT-30	113	7.9	998	0.25	304	5.6	10.2	13.8	316 Stainless Steel, RMS-382	50

Stainless Steel Ladder Ties

SR 1779

316 Stainless Steel

- Operating temperature range: -80°C to 538°C
- Ladder construction reduces possibility of slippage
- Typical usages include: mass transit, ship building, oil rigs, hazardous areas, mining, petrochemicals and rail industries



Part Number	Max Cable Bundle Dia (mm)	Dimensions (mm)		Tensile LBS/kg	Std Pack Qty
		Length	Width		
495165	40	150	7	100/45	100
495166	65	225	7	100/45	100
495167	90	300	7	100/45	100
495168	110	450	7	100/45	100
495169	145	610	7	100/45	100
495170	40	150	12	244/111	100
495171	65	225	12	244/111	100
495172	90	300	12	244/111	100
495173	110	450	12	244/111	100
495174	145	610	12	244/111	100

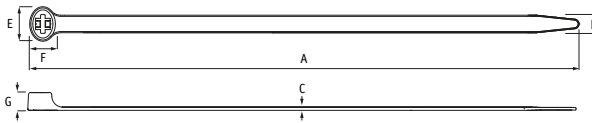
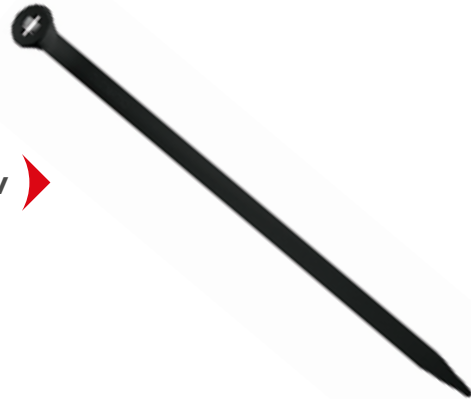
Elematic 2-Lock™ Cable Ties



Polyamide 6.6 natural with 316 Stainless Steel teeth

(+1% carbon black for black version)

- Double Steel Jaw locking mechanism
- Operating temperature range -40°C to 85°C
- Flamability rating UL94 V2
- Installation temperature range -40°C to 60°C



Part Number		Dimensions (mm)						Max Bundle Dia.	Tensile strength (N)	Std Pack Qty
Natural	Black	B	A	C	F	G				
1334541	1334542	2.5	100	1	6	4	21	180	100	
1334543	1334544	2.5	200	1	6	4	50	180	100	
1334545	1334546	3.5	140	1.15	6	4.5	34	250	100	
1334549	1334550	3.5	295	1.15	6	4.5	82	250	100	
1334551	1334552	4.5	200	1.3	7	5.7	50	360	100	
1334555	1334556	4.5	290	1.3	7	5.7	80	360	100	
1334557	1334558	4.5	365	1.3	7	5.7	102	360	100	
1334559	1334560	7.5	220	1.5	10.9	8	55	780	100	
1334561	1334562	7.5	360	1.5	10.9	8	100	780	100	

Black Polypropylene Cable Ties

Polypropylene

- Resistant to chemicals such as hydrochloric acids, sodium chlorides and other basic salts
- Cable tie will float to the surface of most surfaces
- Product moisture levels relatively unaffected by variations in moisture levels



Part Number	Dimensions (mm)			Tensile strength (N)	Std Pack Qty
	Length	Width	Max Bundle Dia.		
1293369	150	3.6	36	8	100
1293370	200	4.6	52	10	100
1293371	250	4.8	68	10	100
1293372	240	7.6	61	23	100
1293373	300	7.6	80	23	100
1293374	380	7.6	105	23	100
1293375	550	8	160	23	100

KEEP YOUR CABLES **SAFE AND SECURE**

Our extensive range of cable ties makes it easy for you to protect your cables while keeping them neat. Check out our Universal Bushes with an easy-to-push-in design. It locks into place to insulate your cables while protecting them from machine vibrations.

Our Strain Relief Bushes prevent damage and accidental disconnections, while our Grommets are perfect for protecting wires and cables passing through panels.



Metal Detectable Cable Ties

SR 1747

Nylon 6.6 with metal particles and Polypropylene

Type 1 – Non releasable head

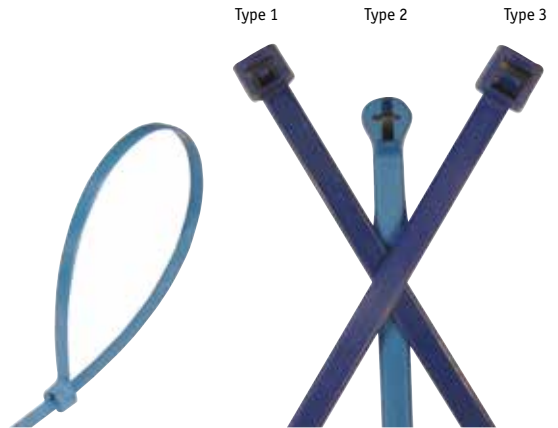
Part Number	Material	Max Cable Bundle Dia (mm)	Dimensions (mm)		Min. Tensile Strength (N)	Std Pack Qty
			Length	Width		
494659	Nylon	16	92	2.4	80	100
494660	Nylon	35	145	3.4	225	100
494661	Nylon	35	150	3.5	135	100
494662	Nylon	50	200	4.6	225	100
494663	Nylon	47	185	4.6	225	100
494664	Nylon	110	390	4.6	225	100
494666	Nylon	109	377	4.7	225	100
494667	Nylon	110	390	7.6	225	100

Type 2 – Metal tooth head

Part Number	Material	Max Cable Bundle Dia (mm)	Dimensions (mm)		Min. Tensile Strength (N)	Std Pack Qty
			Length	Width		
494668	Nylon	16	92	2.4	80	100
494669	Nylon	45	186	4.8	220	100
494670	Nylon	102	360	4.8	220	100
494665	Nylon	90	340	7.0	540	100
494671	Polypropylene	16	92	2.4	50	100
494672	Polypropylene	45	186	4.8	130	100
494674	Polypropylene	102	360	4.8	130	100
494673	Polypropylene	90	340	7.0	270	50

Type 3 – Releasable head

Part Number	Material	Max Cable Bundle Dia (mm)	Dimensions (mm)		Min. Tensile Strength (N)	Std Pack Qty
			Length	Width		
494675	Nylon	50	250	4.7	225	100



- For use in food and pharmaceutical industries – total metal dispersion throughout the entire body of the tie
- X-ray visible
- Blue colour assists detection
- Can be used as part of the HACCP process
- Halogen free
- Available in 3 different head styles
- Flammability UL94 HB rating
- Operating temperature: -40°C to +85°C (continuous)
- Detectable by metal detectors set at a minimum of 1.5mm diameter ferrus sphere

Cable Ties with Stainless Steel Tooth

SR 1792

Nylon 6.6 with stainless steel tooth

- For durable locking in adverse conditions such as humidity, heat, cold, vibration and shock
- The corrosion proof, non magnetic steel tooth firmly anchors inside the cable tie body for a secure lock
- Operating temperature: -40°C to 85°C
- Flammability rating UL 94 V2



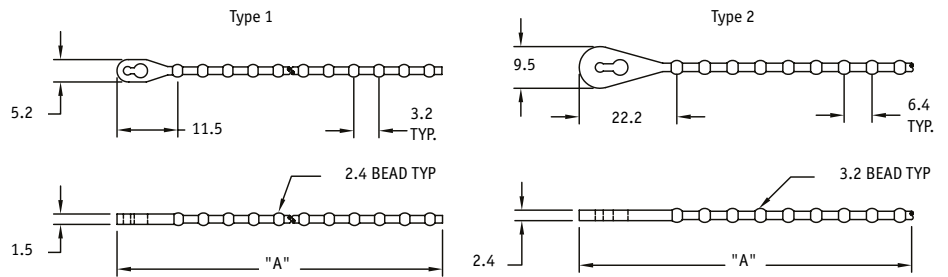
Part Number		Max Cable Bundle Dia (mm)	Dimensions (mm)		Tensile LBS/kg	Std Pack Qty
Black	Natural		Length	Width		
495186	495185	24	100	2.5	18/8	100
495188	495187	53	200	2.5	18/8	100
495190	495189	35	150	3.6	18/40	100
495192	495191	53	200	3.6	18/40	100
495194	495193	80	280	3.6	18/40	100
495196	495195	53	200	4.8	22/50	100
495198	495197	78	290	4.8	22/50	100
495200	-	102	360	4.8	22/50	100

CABLE TIES

Beaded Tie

BT

- Design allows ties to be easily applied and released
- Tie design prevents slipping
- Can be used with lanyard base accessory page - 218

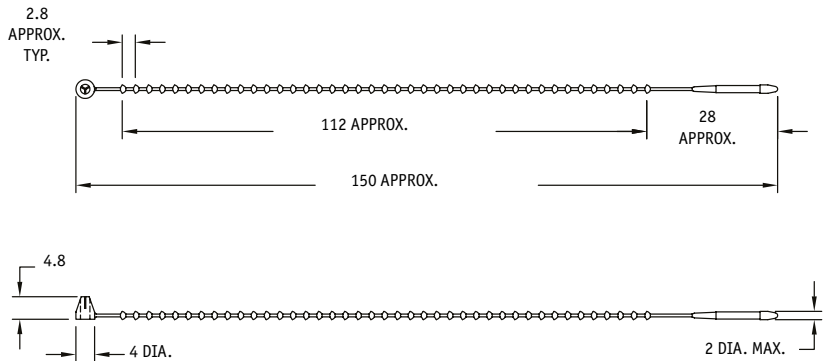


PP, RMS-10				UL94 V-2 Nylon 6/6, RMS-01		Type	Dimensions (mm)		Std Pack Qty
Red	Yellow	Blue	Black	Black	Natural		A	Max Bundle Ø (Requires 3 bead engagement)	
BT-2-10-RD	BT-2-10-YL	BT-2-10-BL	BT-2-10-BK	BT-2-01-BK	BT-2-01-NT	1	63.5	14.3	1000
BT-4-10-RD	BT-4-10-YL	BT-4-10-BL	BT-4-10-BK	BT-4-01-BK	BT-4-01-NT	1	101.6	25.4	1000
BT-5-10-RD	BT-5-10-YL	BT-5-10-BL	BT-5-10-BK	BT-5-01-BK	BT-5-01-NT	1	127.0	31.8	1000
BT-6-10-RD	BT-6-10-YL	BT-6-10-BL	BT-6-10-BK	BT-6-01-BK	BT-6-01-NT	1	152.4	44.5	1000
BT-8-10-RD	BT-8-10-YL	BT-8-10-BL	-	BT-8-01-BK	BT-8-01-NT	2	222.3	60.3	1000
BT-10-10-RD	BT-10-10-YL	BT-10-10-BL	BT-10-10-BK	BT-10-01-BK	BT-10-01-NT	2	273.1	85.7	1000
BT-12-10-RD	BT-12-10-YL	BT-12-10-BL	BT-12-10-BK	BT-12-01-BK	BT-12-01-NT	2	323.9	92.1	1000

Locking Beaded Tie

LBT

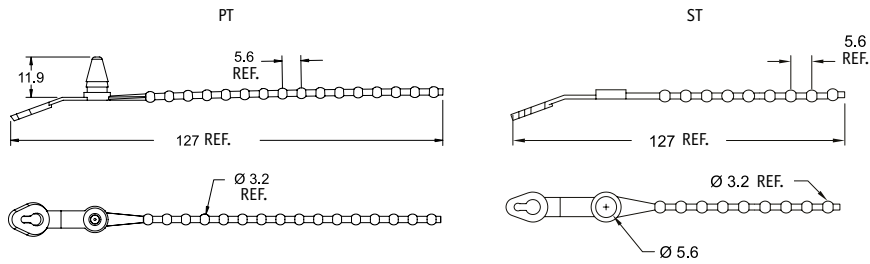
Natural UL94 V-2 Nylon 6/6, RMS-01



Part Number	Min. Loop Tensile Strength (Kg)	Max. Bundle Ø (mm)	Std Pack Qty
LBT-18-01	8	35.6	1000

Beaded Wire Tie

PT/ST

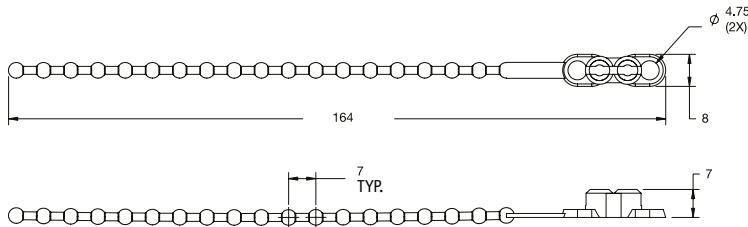


Part Number		Colour	Bundle Ø Range (mm)	Mounting Method	Panel Thickness (mm)	Std Pack Qty
PP, RMS-10	UL94 V-2 Nylon 6/6, RMS-01					
PT-203	PT-303	Black	6.4 - 31.8	Snap-lock in a Ø 6.4 hole	0.8 - 3.2	1000
-	PT-305	Natural	6.4 - 31.8	Snap-lock in a Ø 6.4 hole	0.8 - 3.2	1000
ST-205	ST-305	Natural	6.4 - 31.8	Ø 5.6 clearance hole for screw	-	1000

Beaded Hanking Tie

HTE

Natural Polyethylene, RMS-155

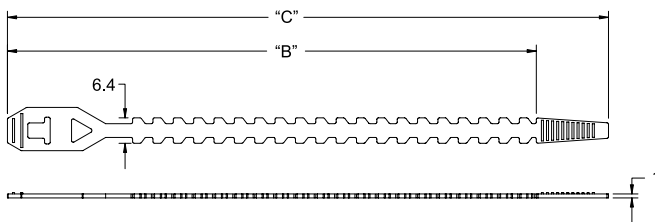


Part Number	Std Pack Qty
HTE-164-PE3L/1H	1000

Hanking Tie

HT

Natural Polyethylene, RMS-134



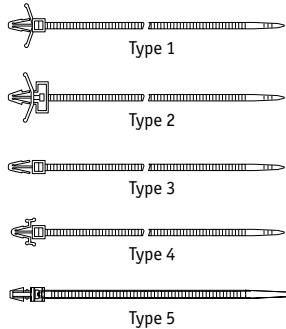
Part Number	Dimensions (mm)			Std Pack Qty
	Max. Bundle Ø	"B"	"C"	
HT-3.9	23	81	99	1000
HT-4.9	28	107	125	1000
HT-5.9	36	132	150	1000

CABLE TIES

Push Mount Ties

SR 1769

Natural and Black Nylon 6.6



Benefits as standard version plus:

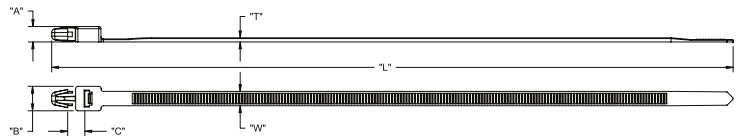
- Simple and easy to use
- Snap into holes and are then securely fixed to the panel
- Ties can be mounted to existing installations before final assembly
- Types 2 and 4 are releasable - ideal for use when maintenance repair work will be required or for temporary use
- Types 1, 3 and 5 - head profile holds tie securely in panel

Natural	Black	Type	Dimensions (mm)			Tensile Strength lbs/kgs	Compatible Hole Diameter	Std Pack Qty
			Max. Cable Bundle Dia	Length	Width			
462765	462704	1	25	112.0	2.5	18/8	4	100
462766	462705	1	30	132.0	4.8	50/22	6	100
462695	462706	1	36	157.0	3.5	40/18	4.8	100
462696	462707	1	50	201.0	4.8	50/22	6	100
461259	461278	2	37	152.5	7.9	30/13	5.4	100
462763	462702	3	30	132.0	4.8	50/22	5.4	100
462764	462703	3	50	202.0	4.8	50/22	6.4	100
462697	462708	4	30	131.0	3.7	40/18	4.8	100
462698	462709	4	38	157.5	3.7	40/18	4.8	100
462699	462710	4	50	207.0	3.7	40/18	4.8	100
461260	461279	5	40	168.0	3.8	40/18	4	100
462762	462701	5	50	203.0	4.8	50/22	6	100
462700	462761	5	50	203.0	4.8	50/22	4.8	100

Push Mount Ties

WIT-50RLA

Natural UL94 V-2 Nylon 6/6, RMS-01

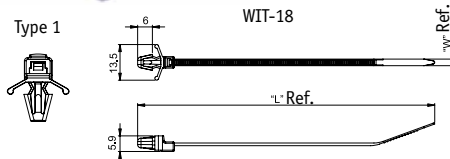
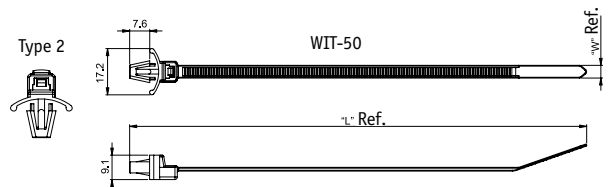


Part Number	Min. Loop Tensile Strength (Kg)	Dimensions (mm)								Std Pack Qty	
		'W'	'L'	'T'	Max. Bundle Ø	'A'	'B'	'C'	Hole Ø		Panel Thickness
WIT-50RLA-2	22	4.8	170	1.3	38	6.5	8.1	6	6.35	3.2	1000
WIT-50RLA-3	22	4.8	200	1.3	44	6.5	8.1	6	6.35	3.2	1000

Push Mount Ties

WIT-RA/WIT-SA

Natural UL94 V-2 Nylon 6/6, RMS-01

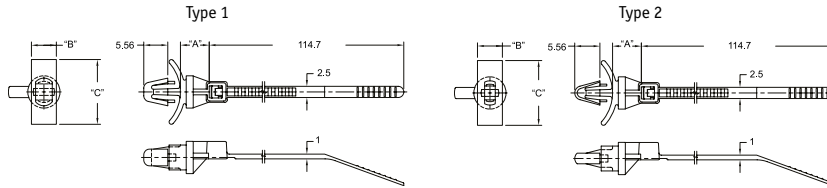


Part Number	Type	Min. Loop Tensile Strength (Kg)	Dimensions (mm)					Panel Thickness	Std Pack Qty
			'W'	'L'	Max. Bundle Ø	Hole Ø	Panel Thickness		
WIT-18RA-01	1	8	2.5	109	21	4.8	1.6	1000	
WIT-50SA-01	1	22	4.8	133	23	6.4	1.6	1000	
WIT-50SRA-01	1	22	4.8	173	36	6.4	1.6	1000	
WIT-50RA-01	1	22	4.8	198	43	6.4	1.6	500	
WIT-50SA-1-01	2	22	4.8	133	23	6.4 - 6.8	0.8 - 2	1000	
WIT-50SRA-1-01	2	22	4.8	173	36	6.4 - 6.8	0.8 - 2	1000	
WIT-50SRA-2-01	2	22	4.8	173	36	6.4 - 6.8	0.8-2.5	1000	
WIT-50RA-1-01	2	22	4.8	198	43	6.4 - 6.8	0.8 - 2	500	

Push Mount Ties

WIT-18RA

Natural UL94 V-2 Nylon 6/6, RMS-01

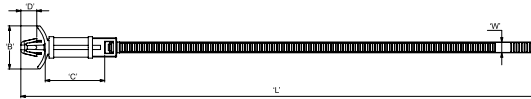
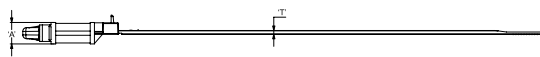


Part Number	Min. Loop Tensile Strength (Kg)	Max. Bundle Ø	Type	Dimensions (mm)					Std Pack Qty
				"A"	"B"	"C"	Hole Ø ± 0.08	Panel Thickness	
WIT-18RA-4-01-M	8	19.1	1	6.4	5.56	14.29	4.75	0.8 - 2.0	1000
WIT-18R1A-4-01	8	19.1	2	6.4	5.56	14.29	4.00	0.8 - 2.0	1000
WIT-18R2A-4-01	8	19.1	1	6.4	2.79	13.90	4.75	1.6 - 3.6	1000

Push Mount Ties

WIT-30RRA

Natural UL94 V-2 Nylon 6/6, RMS-01

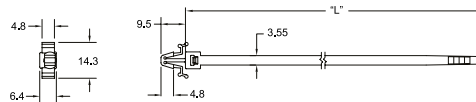
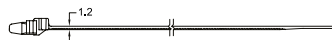


Part Number	Min. Loop Tensile Strength (Kg)	Dimensions (mm)										Std Pack Qty
		'W'	'L'	'T'	Max. Bundle Ø	'A'	'B'	'C'	'D'	Hole Ø ± 0.08	Panel Thickness	
WIT-30RRA-4-M	13	3.6	160.3	1.3	31.8	7.1	14.3	7.1	5.3	4.80	0.8 - 2	1000
WIT-30RRA-8-M	13	3.6	166.7	1.3	31.8	7.1	14.3	13.5	5.3	4.80	0.8 - 2	1000
WIT-30RRA-12-M	13	3.6	173.0	1.3	31.8	7.1	14.3	19.8	5.3	4.80	0.8 - 2	1000
WIT-30RRA-16-M	13	3.6	179.4	1.3	31.8	7.1	14.3	25.4	5.3	4.80	0.8 - 2	1000
WIT-30RRAA-4-M	13	3.6	161.6	1.3	31.8	7.9	14.3	7.1	6.6	6.35	0.8 - 2	1000
WIT-30RRAA-8-M	13	3.6	168.0	1.3	31.8	7.9	14.3	13.5	6.6	6.35	0.8 - 2	1000
WIT-30RRAA-12-M	13	3.6	174.3	1.3	31.8	7.9	14.3	19.8	6.6	6.35	0.8 - 2	1000
WIT-30RRAA-16-M	13	3.6	180.7	1.3	31.8	7.9	14.3	25.4	6.6	6.35	0.8 - 2	1000

Releasable Push Mount Ties

WIT-30RAR/WIT-30LAR

Natural UL94 V-2 Nylon 6/6, RMS-01

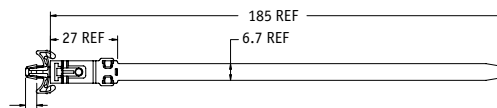
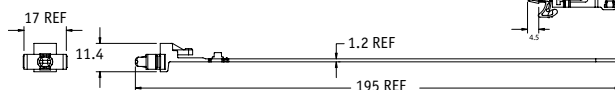


Part Number	Min. Loop Tensile Strength (Kg)	Dimensions (mm)				Std Pack Qty
		"L" Ref.	Max. Bundle Ø	Hole Ø ± 0.08	Panel Thickness	
WIT-30RAR1-2	13	120.7	25.4	4.8	2 - 2.4	1000
WIT-30LAR1-2	13	146	31.8	4.8	2 - 2.4	1000

Releasable Push Mount Ties

WIT-40LAR

Natural UL94 V-2 Nylon 6/6, RMS-01



Part Number	Min. Loop Tensile Strength (Kg)	Dimensions (mm)			Std Pack Qty
		Max Bundle Ø	Hole Ø	Panel Thickness	
WIT-40LAR	18	50	4.8 ± .08	0.5-2.3	1000

CABLE TIES

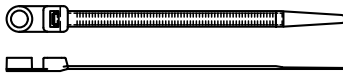
Screw Mount Ties

SR 1772

Natural and Black Nylon 6.6

Benefits as standard version plus:

- Moulded fixing head
- Ideal for fixing to either metal or wooden panels
- Tie can be screwed or bolted down
- Can be fitted to existing installations before final assembly

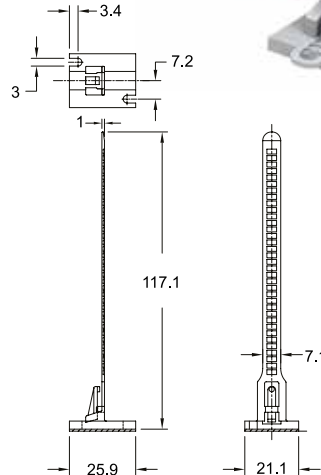


Part Number		Max Cable Bundle Dia (mm)	Dimensions (mm)		Tensile LBS/kg	Std Pack Qty
Natural	Black		Length	Width		
461242	461261	25.0	100.0	2.5	18/8	100
461243	461262	40.0	171.5	3.7	40/18	100
461244	461263	60.0	205.0	4.2	50/22	100
461245	461264	85.0	300.0	4.8	50/22	100
461246	461265	102.0	370.0	4.8	50/22	100
461247	461266	122.0	398.0	7.9	120/55	100

Adhesive/Screw Mount Tie

TOBS

Natural UL94 V-2 Nylon 6/6, RMS-01

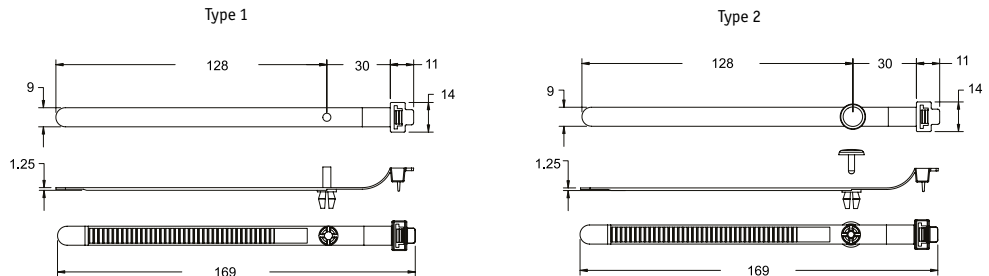


Part Number	Max. Bundle Ø (mm)	Mounting Screw	Std Pack Qty
TOBS-18-01A-RT	28.5	M2.5	1000
0.8 Thick Acrylic Adhesive Tape, RMS-15			

Rivet Mount Cable Tie

SRRCT

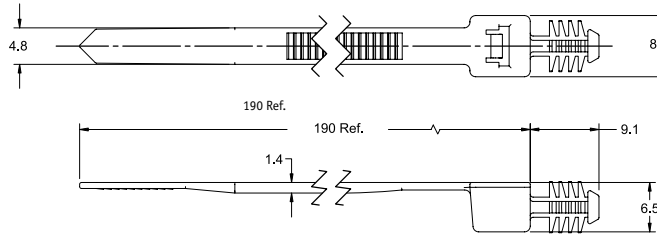
Grey UL94 V-2 Nylon 6/6, RMS-01



Part Number	Type	Max. Loop Tensile Strength (N)	Dimensions (mm)			Rivet Pin Material	Standard Pack
			Max. Bundle Ø	Hole Ø	Panel Thickness		
SRRCT-1	1	250	40	7	2.5	RMS-01	200
SRRCT-2	2	250	40	7	2.5	RMS-52	200

Blind Hole Mount Cable Ties

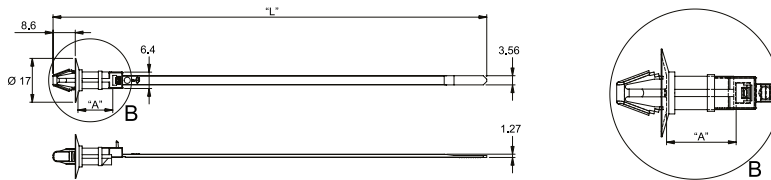
WITBH



Part Number		Max. Loop Tensile Strength (Kg)	Dimensions (mm)			Std Pack Qty
Natural UL94 V-2 Nylon 6/6, RMS-011 WITBH-50R	Black UL94 V-2 Heat Stabilized Nylon 6/6, RMS-47 WITBH-50R-HS		Max. Bundle Ø	Hole Ø	Min. Panel Thickness	
		22	44.5	6.35	6.35	1000

Cupped Cable Ties

WIT-3ORCA



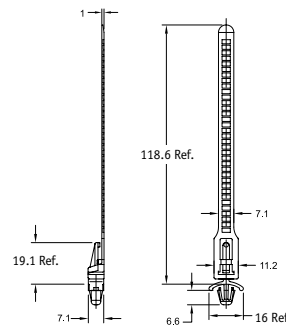
Part Number				Min. Loop Tensile Strength (Kg)	Dimensions (mm)					Std Pack Qty
Natural UL94 V-2 Nylon 6/6, RMS-01 WIT-3ORCA-4-M WIT-3ORCA-8-M WIT-3ORCA-12-M WIT-3ORCA-16-M	Black UL94 V-2 UV Stabilized Nylon 6/6, RMS-46 WIT-3ORCA-4UVB WIT-3ORCA-8UVB -	Black UL94 V-2 Heat Stabilized Nylon 6/6, RMS-47 WIT-3ORCA-4-HS WIT-3ORCA8-HS-M WIT-3ORCA12-HSM WIT-3ORCA16-HSM	Natural UL94 V-0 Nylon 6/6, RMS-19 WIT-3ORCA-4-V-M WIT-3ORCA-8-V-M WIT-3ORCA-12-VM WIT-3ORCA-16-VM		"L"	Bundle Ø	"A"	Hole Ø	Panel Thickness	
				13	160.7	31.8	7.1	Ø 6 - 6.5	0.6 - 2.5	1000
				13	168.3	31.8	13.5	Ø 6 - 6.5	0.6 - 2.5	1000
				13	174.6	31.8	19.8	Ø 6 - 6.5	0.6 - 2.5	1000
				13	180.2	31.8	25.4	Ø 6 - 6.5	0.6 - 2.5	1000

Tie On Push Mount Cable Ties

TOAH

Natural UL94 V-2 Nylon 6/6, RMS-01

Part Number	Dimensions (mm)			Std Pack Qty
	Max. Bundle Ø	Hole Ø	Panel Thickness	
TOAH-18-01	28.5	6.35	1.6	1000



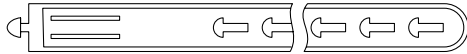
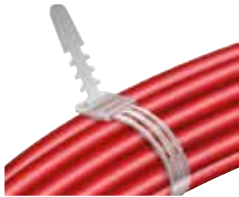
CABLE TIES

Belt Ties

SR 1776

PE

- For simple bundling of electrical wires
- Flexible design
- Quick release



Type 1



Type 2



Type 3

Part Number	Black	Type	Max Cable Bundle Dia (mm)	Dimensions (mm)		Tensile LBS/kg	Std Pack Qty
				Length	Width		
Natural	-	1	35.0	130.0	15.0	30/14	100
462689	-	1	35.0	130.0	15.0	30/14	100
462690	462693	2	45.0	160.0	9.0	18/8	100
462691	462694	3	38.0	140.0	9.0	18/8	100

Marker Ties

SR 1777

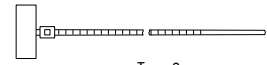
Natural Nylon 6.6

Benefits as standard version plus:

- Identification tag can be written on
- Printing available on request (minimum order quantities apply)



Type 1



Type 2



Type 3



Type 4

Part Number	Type	Max Cable Bundle Dia (mm)	Dimensions (mm)		Tag Size (mm)	Tensile LBS/kg	Std Pack Qty
			Length	Width			
462671	1	25.0	100.0	2.5	25 x 8	18/8	100
462672	1	50.0	200.0	2.5	30 x 15	18/8	100
462673	2	25.0	110.0	2.5	25 x 8	18/8	100
462674	3	50.0	200.0	4.6	28 x 13	50/22	100
462675	3	75.0	270.0	4.6	28 x 13	50/22	100
462676	4	25.0	130.0	2.5	28 x 20	18/8	100

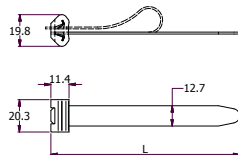
Heavy Duty Strap and Buckle

HDSB

Head: Black High Impact UV Stabilized Acetal

Strap: See Table

- For heavy duty applications
- Steel teeth on the buckle grip the strap permanently
- Buckle is preassembled on one end of the strap
- Nylon strap material is high strength, lightweight and more cost effective than the Acetal version
- Acetal strap material has excellent weatherability, superior dimension stability and low-temperature toughness

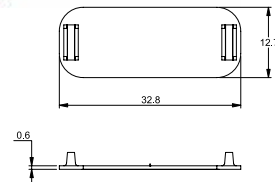


Part Number		Tensile LBS/kg	L (mm)	Max Cable Bundle Dia.(mm)	Std Pack Qty
Strap: UL94 V-2 Nylon 6/6	Strap: High Impact UV Stabilized Acetal				
HDSB1-350-R	HDSB2-350-R	350/159	381.0	101.6	50
HDSB1-350-L	HDSB2-350-L	350/159	838.2	246.4	25
HDSB1-350-XL	HDSB2-350-XL	350/159	1270.0	383.5	25

Cable Tie Marker Tag

WIT-MK

Natural UL94 V-2 Nylon 6/6, RMS-01



MATTED SURFACE TO ACCEPT INK OR PENCIL

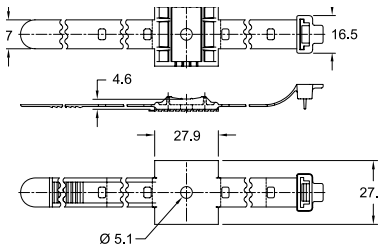


Part Number	Cable Ties Accepted	Std Pack Qty
WIT-MK-1	All RG cable ties up to size RG-207/307	1000

Universal Mounting Strap

UMS

Natural UL94 HB Nylon 6/6, RMS-45

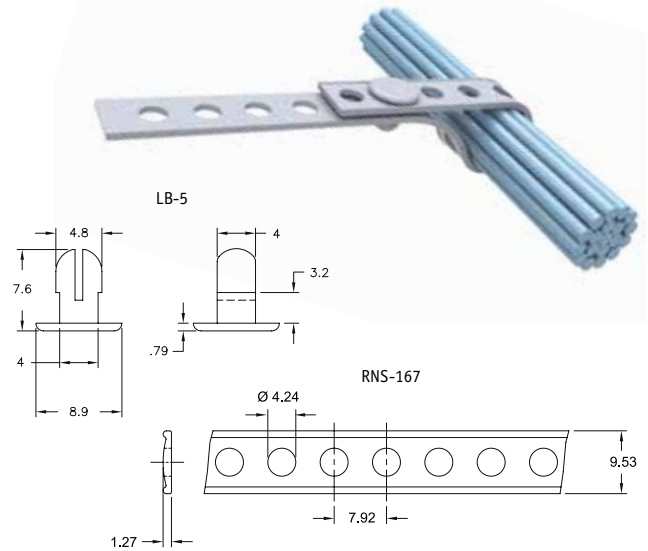


For Panel Thickness (mm)	Rivet Number
Up to 0.5	SR-5045
0.5 - 1.5	SR-5055
1.5 - 2.5	SR-5065
2.5 - 3.5	SR-5075
3.5 - 4.5	SR-5085
4.5 - 5.5	SR-5095
5.5 - 6.4	SR-5105

Part Number		Max. Bundle Ø (mm)	Mounting Screw/Rivet	Std Pack Qty
Without Adhesive	With Acrylic Adhesive, RMS-15			
UMS-16-45	UMS-16-45A-RT	25.4	M4	100
UMS-24-45	UMS-24-45A-RT	38.1	M4	100
UMS-32-45	UMS-32-45A-RT	50.8	M4	100

Nylon Strap and Locking Button

RNS/LB



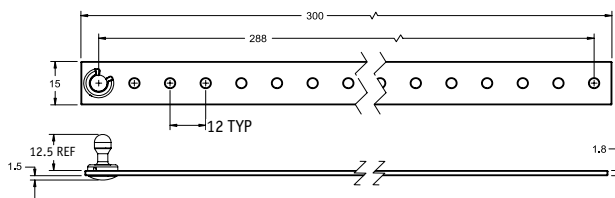
Part Number	Material	Color	Standard Pack
RNS-167	UL94 HB Nylon 6/6, RMS-17	Black	30M Roll
LB-5	UL94 V-2 Nylon 6/6, RMS-01	Black	100/Bag

Elastomer Strap

ES

Strap: Silicone Rubber, 50 Shore A, RMS-417

Latch Pin: Black UL94 HB Nylon 6/6, RMS-148



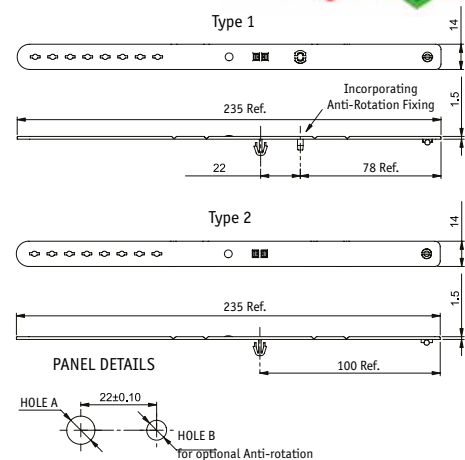
Part Number	Maximum Bundle	Std Pack Qty
ES-1	Ø110mm or 345mm perimeter	100

For additional Latch Pins, order part no. CS-113-6

Cable Management Strap

CMS

UL94 V-0 Nylon 6/6, RMS-19



Part Number			Dimensions (mm)			Max. Bundle (W x H)	Type	Std Pack Qty
Natural	Black	Grey	Panel Hole A	Anti-Rotation Panel Hole B	Panel Thickness			
CMS-1	CMS-1BK	CMS-1GY	Ø6 - 6.5	Ø 3.5	3±0.2	70 x 30	1	250
CMS-2	-	CMS-2GY	Ø6 - 6.5	-	3±0.2	70 x 30	2	250

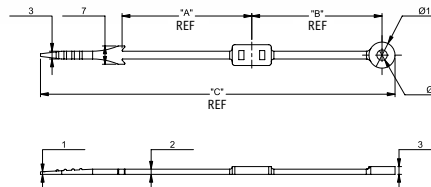
CABLE TIES

Elastomer Lanyard

ELT

Black EPDM, 50 Shore A

- Elastomer linking tie designed to connect and secure two separate components
- Securing loop on one end and mounting hole on the other provide secure fix to connecting objects
- Double fixing slots on securing loop reduce risk of failure for heavy duty applications
- Accommodates a wide range of applications from cables and dust caps to enclosures and lids
- For heavy duty applications secure the loop through both fixing slots for safe mounting
- Manufactured in flexible EPDM material and can stretch up to 3 times its nominal length



Part Number	Dimensions (mm)			Std Pack Qty
	"A" REF	"B" REF	"C" REF	
ELT-50	50	50	136	1000
ELT-100	100	100	236	1000



YOUR JOB MADE EASIER:

FREE SAMPLES – try before you buy

SMALL PACKS – available in the quantities you need

RELIABLE DELIVERY – same day shipping from stock

OUTSTANDING CUSTOMER SERVICE – expert advice

Call 0845 758 5070

www.essentracomponents.co.uk

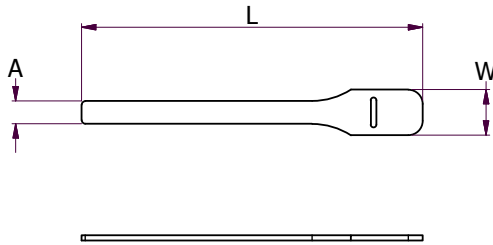
Hook & Loop Cable Tie

RKW

Loop: Nylon Knit

Hook: Low Density Polyethylene

- Easily assembled and removed
- Can be fastened and released several times



Part Number				Screw Mount	Dimensions (mm)			Max Cable Bundle Dia (mm)	Std Pack Qty
Black	Blue	Green	Grey		L	A	W		
RKW-6-6-BK	RKW-6-6-BL	RKW-6-6-GN	RKW-6-6-GY	No	152.4	9.5	19.1	35.6	10
RKW-8-6-BK	RKW-8-6-BL	RKW-8-6-GN	RKW-8-6-GY	No	152.4	12.7	12.7	35.6	10
RKW-8-8-BK	RKW-8-8-BL	RKW-8-8-GN	RKW-8-8-GY	Yes	203.2	12.7	12.7	48.7	10
RKW-8-9-BK	RKW-8-9-BL	RKW-8-9-GN	RKW-8-9-GY	Yes	228.6	12.7	12.7	54.4	10
RKW-8-11-BK	RKW-8-11-BL	RKW-8-11-GN	RKW-8-11-GY	No	279.4	12.7	12.7	66.5	10
RKW-8-12-BK	RKW-8-12-BL	RKW-8-12-GN	RKW-8-12-GY	Yes	304.8	12.7	12.7	72.5	10
RKW-8-13-BK	RKW-8-13-BL	RKW-8-13-GN	RKW-8-13-GY	Yes	330.2	12.7	12.7	86.3	10
RKW-12-9-BK	RKW-12-9-BL	RKW-12-9-GN	RKW-12-9-GY	Yes	228.6	19.1	38.1	54.4	10
RKW-12-13-BK	RKW-12-13-BL	RKW-12-13-GN	RKW-12-13-GY	Yes	330.2	19.1	38.1	86.3	10
RKW-12-15-BK	RKW-12-15-BL	RKW-12-15-GN	RKW-12-15-GY	No	381.0	19.1	38.1	99.5	10
RKW-12-18-BK	RKW-12-18-BL	RKW-12-18-GN	RKW-12-18-GY	No	457.2	19.1	38.1	119.8	10
RKW-12-24-BK	RKW-12-24-BL	RKW-12-24-GN	RKW-12-24-GY	No	609.6	19.1	38.1	159.7	10

Part Number				Screw Mount	Dimensions (mm)			Max Cable Bundle Dia (mm)	Std Pack Qty
Orange	Red	White	Yellow		L	A	W		
RKW-6-6-OR	RKW-6-6-RD	RKW-6-6-W	RKW-6-6-YL	No	152.4	9.5	19.1	35.6	10
RKW-8-6-OR	RKW-8-6-RD	RKW-8-6-W	RKW-8-6-YL	No	152.4	12.7	12.7	35.6	10
RKW-8-8-OR	RKW-8-8-RD	RKW-8-8-W	RKW-8-8-YL	Yes	203.2	12.7	12.7	48.7	10
RKW-8-9-OR	RKW-8-9-RD	RKW-8-9-W	RKW-8-9-YL	Yes	228.6	12.7	12.7	54.4	10
RKW-8-11-OR	RKW-8-11-RD	RKW-8-11-W	RKW-8-11-YL	No	279.4	12.7	12.7	66.5	10
RKW-8-12-OR	RKW-8-12-RD	RKW-8-12-W	RKW-8-12-YL	Yes	304.8	12.7	12.7	72.5	10
RKW-8-13-OR	RKW-8-13-RD	RKW-8-13-W	RKW-8-13-YL	Yes	330.2	12.7	12.7	86.3	10
RKW-12-9-OR	RKW-12-9-RD	RKW-12-9-W	RKW-12-9-YL	Yes	228.6	19.1	38.1	54.4	10
RKW-12-13-OR	RKW-12-13-RD	RKW-12-13-W	RKW-12-13-YL	Yes	330.2	19.1	38.1	86.3	10
RKW-12-15-OR	RKW-12-15-RD	RKW-12-15-W	RKW-12-15-YL	No	381.0	19.1	38.1	99.5	10
RKW-12-18-OR	RKW-12-18-RD	RKW-12-18-W	RKW-12-18-YL	No	457.2	19.1	38.1	119.8	10
RKW-12-24-OR	RKW-12-24-RD	RKW-12-24-W	RKW-12-24-YL	No	609.6	19.1	38.1	159.7	10

CABLE TIES

Hook & Loop Ties

SR 1785

Black



- Will not crush the cables being tied
- Ideal for fragile cables

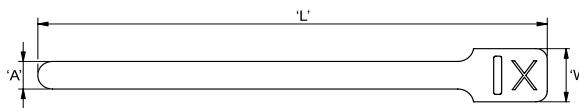
Part Number	Max Cable Bundle Dia (mm)	Dimensions (mm)		Std Pack Qty
		Length	Width	
462711	30.0	125.0	12.0	20
462712	33.0	135.0	12.0	20
462713	40.0	180.0	12.0	20
462714	50.0	210.0	16.0	20
462715	85.0	310.0	16.0	20

Screw/Rivet Mount Kwik Wrap

RKWA

Blue UL94 V-2 Nylon Knit Loop, RMS-312

Laminated on PE/PP Hook, RMS-342



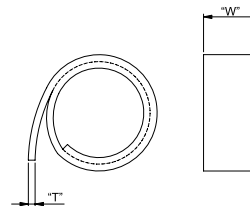
Part Number	Dimensions (mm)				Std Pack Qty
	"A" ±3.2	"L" ±12.7	Max. Bundle Ø	"W" ±3.2	
RKWA-9-152-BK	9	152	35	17	100
RKWA-13-225-BK	13	225	60	25	100
RKWA-13-325-BK	13	325	90	25	100

Kwik Wrap on a Roll Hook & Loop

RKWRA

Black UL94 V-2 Nylon Knit Loop, RMS-312

Laminated on PE/PP Hook, RMS-342



Part Number	Dimensions (mm)		Std Pack Qty
	"W"	"T"	
RKWRA-09-BK	9	3	100M (4 reels x 25M)
RKWRA-16-BK	16	3	50M (2 reels x 25M)
RKWRA-20-BK	20	3	50M (2 reels x 25M)
RKWRA-25-BK	25	3	50M (2 reels x 25M)

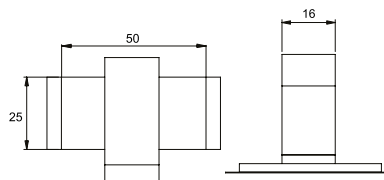
Kwik Wrap on Base Hook & Loop

RKWBA

Black UL94 V-2 Nylon Knit Loop, RMS-312;

Laminated on PE/PP Hook, RMS-342

Adhesive RMS-313



Part Number	Strap Length (mm)	Max. Bundle Ø (mm)	Std Pack Qty
RKWBA-16-300	150	40	500

Kwik Wrap D Style Hook & Loop

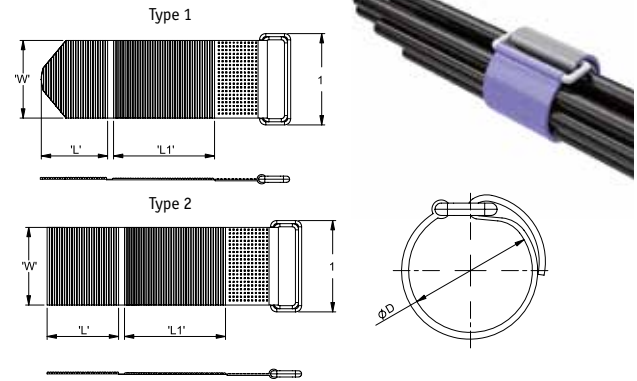
RKWDA

Buckle: Black Nylon, RMS-363

Black UL94 V-2 Nylon Knit Loop, RMS-312

Laminated on a PE/PP Hook, RMS-342

Part Number	Dimensions (mm)				Type	Std Pack Qty
	"W"	"L"	"L1"	"D" Bundle Ø Range		
1347341	24	90	210	45-75	1	500
1347342	28	70	230	45-75	1	500
1347343	33	90	210	65-105	2	500



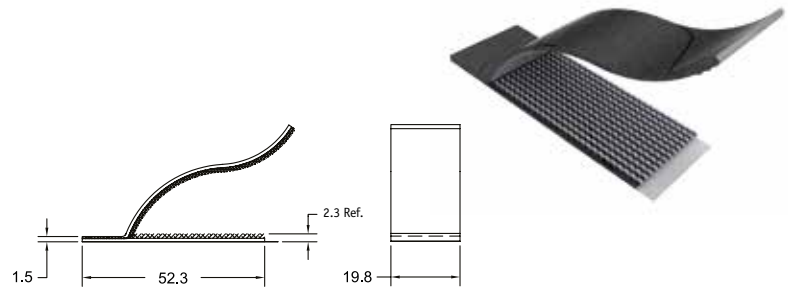
Kwik Wrap on Adhesive Hook & Loop

RKWFA

Black LDPE Hook, RMS-249; Nylon Knit Loop,

RMS-251; Acrylic Adhesive, RMS-113

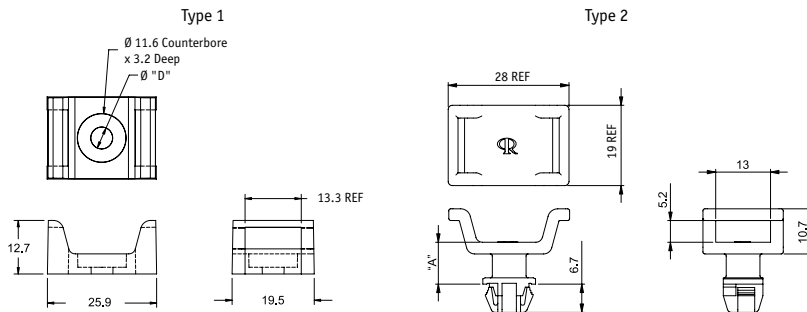
Part Number	Holding Ø (mm)	Std Pack Qty
RKWFA-16-300	19.05 Max.	100



Flat Tie Holder for Kwik Wrap

FTH-27

UL94 V-2 Nylon 6/6, RMS-01



MOUNTING RIVETS FOR FTH-27-RS-01		
Panel Thickness (mm)	Panel Hole Ø (mm)	Rivet Number
0.9 - 1.9	5.1	SR-5055
1.9 - 2.9	5.1	SR-5065
2.9 - 3.9	5.1	SR-5075
3.9 - 4.9	5.1	SR-5085
4.9 - 5.9	5.1	SR-5095
5.9 - 6.9	5.1	SR-5105

Part Number	Type	Colour	"D"	"A"	Mounting Method	Panel Thickness	Accepts RKW ties	Std Pack Qty
FTH-27-RS-01	1	Natural	5.2	-	M5 Screw or Rivets (see table)	-	Up to 13 mm wide	1000
FTH-27-12-01	1	Natural	5.8	-	M5 Screw	-	Up to 13 mm wide	1000
FTH-27-1-01BK	2	Black	-	3	9.5 ± 0.08 Square Hole	0.8 - 2	Up to 13 mm wide	1000
FTH-27-2-01BK	2	Black	-	10	9.5 ± 0.08 Square Hole	0.8 - 2	Up to 13 mm wide	500



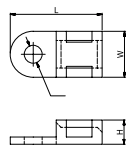
CABLE MOUNTS

Screw Mount Cable Tie Holder

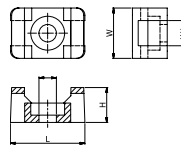
SR 1719

Nylon 6.6

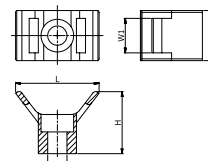
- Easy screw fixing
- Gives maximum stability to wire bundle
- Flammability rating UL94 V2



Type 1



Type 2

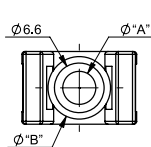


Type 3

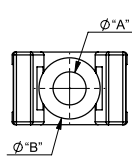
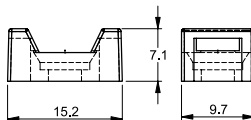
Part Number		Tie Size (mm)	Dimensions (mm)				Panel Hole Size	Type	Std Pack Qty
Natural	Black		w1	L	H	W			
460335	494649	2.4-4.8	5.0	19.0	5.0	9.5	3.4	1	100
460336	494650	2.4-4.8	5.0	15.0	7.0	10.0	3.0	2	100
460337	494651	2.4-9	9.0	23.0	9.8	16.0	6.0	2	100
460338	494652	2.4-9	9.5	23.0	17.5	13.8	5.3	3	100
460339	494653	2.4-9	9.3	30.0	11.6	14.7	5.2	3	100

Screw Mount Cable Tie Holder

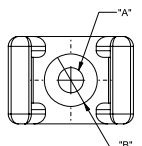
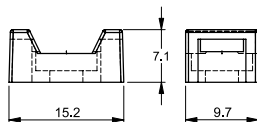
FTH-13/FTH-14



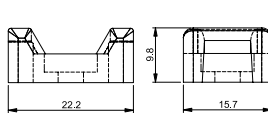
Type 2



Type 1



Type 3



Mounting Rivets for FTH -13R-01		
Rivet Number	Hole Ø (mm)	Panel Thickness (mm)
SR-4050	4.1	0.5 - 1.5
SR-4060	4.1	1.5 - 2.5
SR-4070	4.1	2.5 - 3.5
SR-4080	4.1	3.5 - 4.5
SR-4100	4.1	5.5 - 6.5

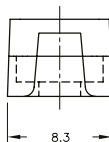
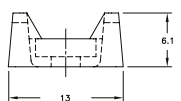
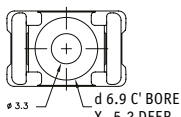
Mounting Rivets for FTH -14R-01		
Rivet Number	Hole Ø (mm)	Panel Thickness (mm)
SR-5055	5.1	0.5 - 1.5
SR-5065	5.1	1.2 - 2.2
SR-5075	5.1	2.2 - 3.2
SR-5085	5.1	3.2 - 4.2
SR-5095	5.1	4.2 - 5.2
SR-5105	5.1	5.2 - 6.2

Part Number			Type	Dimensions (mm)			Mounting Methods	Std Pack Qty
Natural UL94 V2 Nylon 6/6, RMS-01	Black UL94 V2 Nylon 6/6, RMS-01	Natural UL94 V0 Nylon 6/6, RMS-19		Ø "A"	Ø "B"	Max Cable Tie Width Accepted		
FTH-13R-01-M	FTH-13R-01BK-M	FTH-13R-19-M	1	4.3	8.1 C'bore	5.3	M4 screw or rivet (above)	1000
FTH-13S-01-M	FTH-13S-01BK-M	FTH-13S-19-M	2	4.3	8.1 C'sink	5.3	M3 / M4	1000
FTH-14R-01-M	FTH-14R-01BK-M	FTH-14R-19-M	3	5.2	9.5 C'bore	8.2	M5 screw or rivet (above)	1000
FTH-14S-01-M	FTH-14S-01BK-M	FTH-14S-19-M	3	6.6	12.5 C'bore	8.2	M6	1000

Screw Mount Cable Tie Holder

FTH-28

Natural UL94 V-2 Nylon 6/6, RMS-01



Part Number	Max Cable Tie Width Accepted (mm)	Mounting Screw/Rivet	Std Pack Qty
FTH-28RS-01	3.2	M3 screw or rivets (see table)	1000

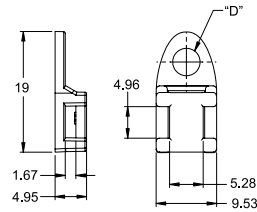
Mounting Rivets for FTH -28RS		
Rivet Number	Hole Ø (mm)	Panel Thickness (mm)
SR-3035	3.1-3.2	Up to 0.9
SR-3045	3.1-3.2	0.9 - 1.9
SR-3055	3.1-3.2	1.9 - 2.9
SR-3065	3.1-3.2	2.9 - 3.9
SR-3075	3.1-3.2	3.9 - 4.9
SR-3080	3.1-3.2	4.4 - 5.4
SR-3090	3.1-3.2	5.4 - 6.4
SR-3100	3.1-3.2	6.4 - 7.4

Screw Mount Cable Tie Holder

FTH-34/FTH-35

Natural UL94 V-2 Nylon 6/6, RMS-01

Part Number	"D" (mm)	Max Cable Tie Width Accepted (mm)	Mounting Screw	Std Pack Qty
FTH-34-01	4.3	4.8	M4	1000
FTH-35-01	5.1	4.8	M5	1000

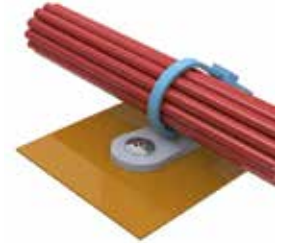
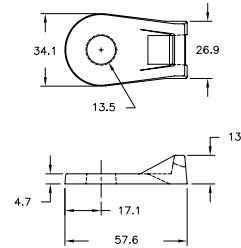


Screw Mount Cable Tie Holder

FTH-17

Natural UL94 V-2 Nylon 6/6, RMS-01

Part Number	Max Cable Tie Width Accepted (mm)	Std Pack Qty
FTH-17-8-01	13.5	100

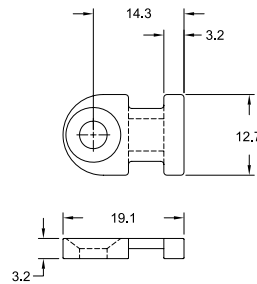


Screw Mount Cable Tie Holder

FTH-1

Natural UL94 V-2 Nylon 6/6, RMS-01

Part Number	Max Cable Tie Width Accepted (mm)	Mounting Screw	Std Pack Qty
FTH-1-01-M	4.8	M4 Flat Head Screw	1000

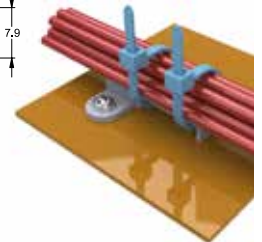
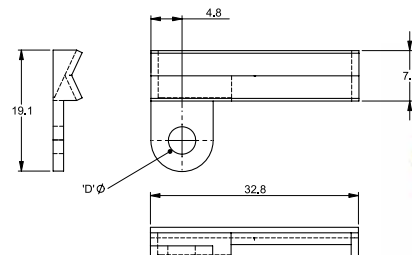


Screw Mount Cable Tie Holder

FTH-11

Natural UL94 V-2 Nylon 6/6, RMS-01

Part Number	"D" (mm)	Max Cable Tie Width Accepted (mm)	Std Pack Qty
FTH-11-8-01	4.3	18.9	100

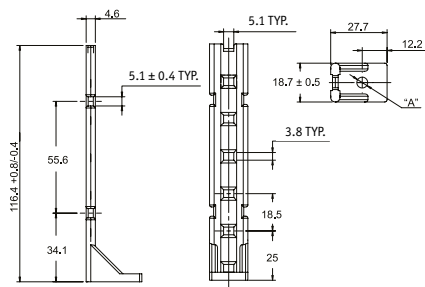


Screw Mount Cable Tie Holder

FTH-24

Natural UL94 V-2 Nylon 6/6, RMS-01

Part Number	"A" (mm)	Max Cable Tie Width Accepted (mm)	Mounting Screw	Std Pack Qty
FTH-24-01	5.3	4.9	M5	100
FTH-24-1-01	6.4	4.9	M6	100



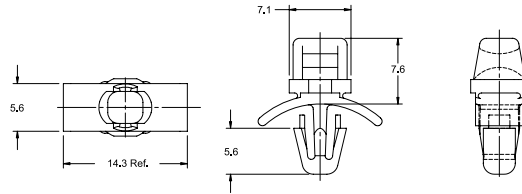
CABLE MOUNTS

Push Mount Cable Tie Holder

FTH-3

Natural UL94 V-2 Nylon 6/6, RMS-01

 • UL # E71558

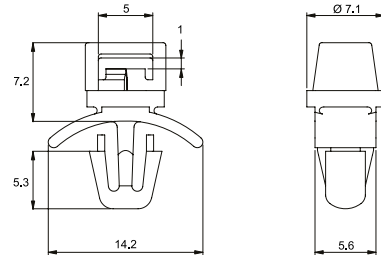


Part Number	Dimensions (mm)			Std Pack Qty
	Hole Ø	Panel Thickness	Max Cable Tie Width Accepted	
FTH-3-01-M	4.75 ± 0.08	0.79 - 1.98	3.5	1000

Push Mount Cable Tie Holder

FTH-3A

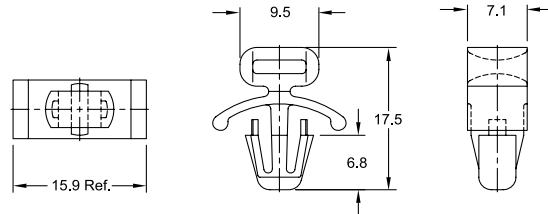
Natural UL94 V-2 Nylon 6/6, RMS-01



Part Number	Dimensions (mm)			Std Pack Qty
	Hole Ø	Panel Thickness	Max Cable Tie Width Accepted	
FTH-3A-01	5.3 ± 0.08	0.8-2	4.8	1000

Push Mount Cable Tie Holder

FTH-6

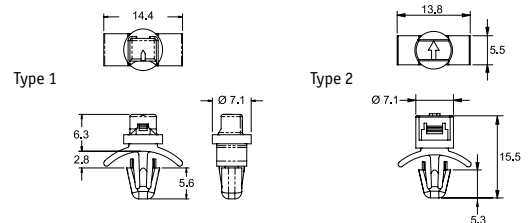


Part Number		Colour	Dimensions (mm)			Std Pack Qty
UL94 V2 Nylon 6/6, RMS-01	UL94 V0 Nylon 6/6, RMS-19		Hole Ø	Panel Thickness	Max Cable Tie Width Accepted	
FTH-6-01-M	FTH-6-19-M	Natural	6.35 ± 0.08	1.19 - 2.77	6.6	1000
FTH-6-01BK-M	-	Black	6.35 ± 0.08	1.19 - 2.77	6.6	1000

Push Mount Cable Tie Holder

FTH-30

Natural UL94 V-2 Nylon 6/6, RMS-01



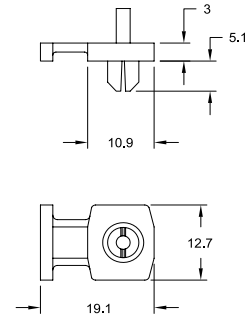
Part Number	Type	Dimensions (mm)			Std Pack Qty
		Hole Ø	Panel Thickness	Max Cable Tie Width Accepted	
FTH-30-01	1	4.76	0.8 - 2	2.5	1000
FTH-30-1-01	2	4.76	0.8 - 2	2.5	1000

Push Mount Cable Ties Holder

FTH-22

Yellow UL94 V-2 Nylon 6/6, RMS-01

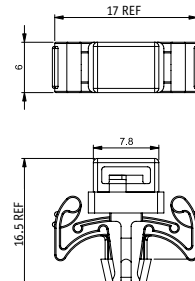
Part Number	Dimensions (mm)			Std Pack Qty
	Hole Ø	Panel Thickness	Max Cable Tie Width Accepted	
FTH-22-01	5±0.05	0.8 - 3.2	5.4	1000



Push Mount Cable Ties Holder

FTH-41

Part Number		Max Cable Tie Width Accepted (mm)	Std Pack Qty
Natural UL94 V-2 Nylon 6/6, RMS-01	Natural UL94 V-0 Nylon 6/6, RMS-19		
FTH-41-01	FTH-41-19	5.6	1000



Bottom Hole: Snap-Lock Ø 4.8±0.8
Panel Thickness: 0.5-2.3

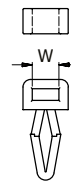


Push Mount Cable Tie Holder

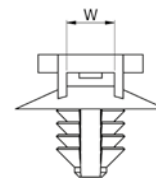
SR 1720

Nylon 6.6

- Easy one-push fit
- Flammability rating UL94 V2



Type 1



Type 2



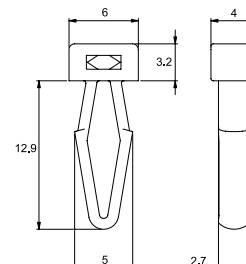
Type 2 - Black Nylon 6.6

Part Number		Type	W (mm)	Panel Hole Size (mm)	Std Pack Qty
Natural	Black				
142004000002	142004059902	1	4.0	3.2	500
142008000002	142008059902	1	8.1	6.4	500
-	462716	2	5.0	7.6	100

Cable Tie Holder

FTH-39

Part Number		Max Cable Tie Width Accepted	Hole Ø	Panel Thickness	Std Pack Qty
Natural UL94 V-2 Nylon 6/6, RMS-01	Natural UL94 V-0 Nylon 6/6, RMS-19				
FTH-39-1-01	FTH-39-1-19	2.8	3.2	1 - 4.5	1000

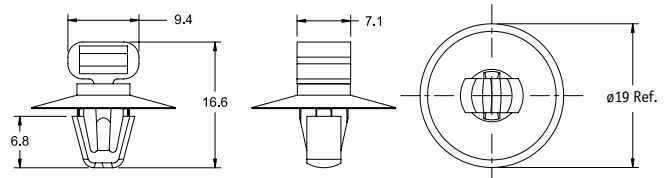


CABLE MOUNTS

Cupped Base Cable Tie Holder

FTH-29

Natural UL94 V-2 Nylon 6/6, RMS-01

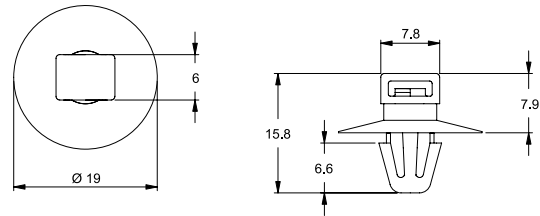


Part Number	Dimensions (mm)			Std Pack Qty
	Hole Ø	Panel Thickness	Max Cable Tie Width Accepted	
FTH-29-01	6.35 ± 0.08	1.6	6	1000

Cupped Based Cable Tie Holder

FTH-33

UL94 V-2 Nylon 6/6, RMS-01

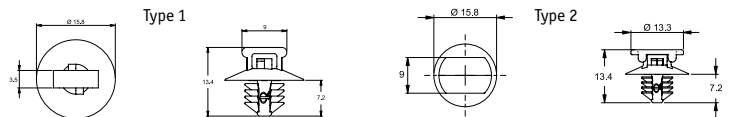


Part number	Colour	Dimensions (mm)						Std Pack Qty
		Max Cable Tie Width Accepted	Hole Ø	Panel Thickness	Min. Loop Tensile Strength (Kg)	"L"	Max. Bundle Ø	
FTH-33-01	Natural	5.6	6.4	1.4 - 2	-	-	-	1000
FTH-33-1-ASS	Black	5.6	6.4	1.4 - 2	22.4	160	40	1000

Cupped Based Cable Tie Holder

FTH-36/FTH-37

Black UL94 V-2 Nylon 6/6, RMS-01

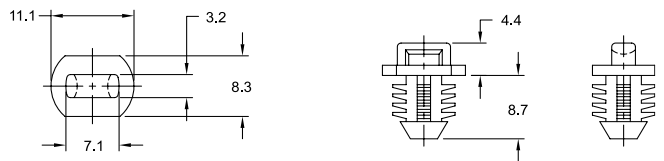


Part Number	Type	Dimensions (mm)						Std Pack Qty
		Max Cable Tie Width Accepted	Min. Loop Tensile Strength (Kg)	"L" Length Ref.	Max. Bundle Ø	Hole Ø	Panel Thickness	
FTH-36-01BK	1	4.8	-	-	-	6.5 - 7	0.8 - 3	1000
FTH-36-1-ASS	1	Pre-Assembled with Cable Tie RG-311	22.4	160	40	6.5 - 7	0.8 - 3	1000
FTH-37-01BK	2	4.8	-	-	-	6.5 - 7	0.8 - 3	1000
FTH-37-1-ASS	2	Pre-Assembled with Cable Tie RG-311	22.4	160	40	6.5 - 7	0.8 - 3	1000

Blind Hole Cable Tie Holder

FTH-15

Natural



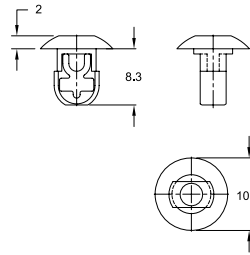
Part Number		Dimensions (mm)			Std Pack Qty
UL94 V2 Nylon 6/6, RMS-01	UL94 V0 Nylon 6/6, RMS-19	Hole Ø	Panel Thickness	Max Cable Tie Width Accepted	
FTH-15-01-M	FTH-15-19-M	8.0	6.4 Min.	3.9	1000

Cable Tie Holder

FTH-9

Natural UL94 V-2 Nylon 6/6, RMS-01

Part Number	Dimensions (mm)			Std Pack Qty
	Hole Ø	Panel Thickness	Max Cable Tie Width Accepted	
FTH-9-01-M	6.35 ± 0.08	3.18 Max.	4.8	1000

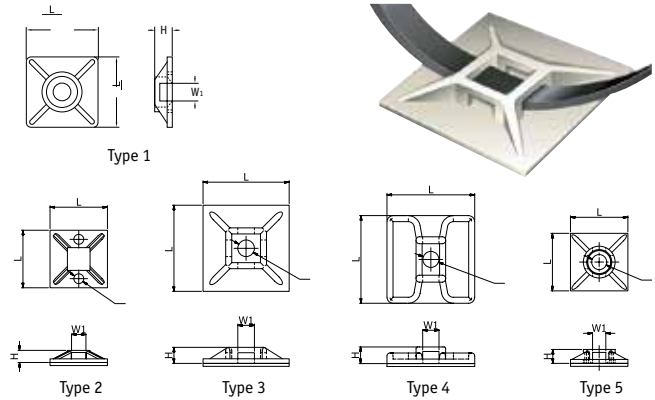


Adhesive Tie Mounts

SR 1718

Nylon 6.6

- Strong adhesion for quick and easy installation
- Ideal for lightweight wire bundles
- Flammability rating UL94 V2
- Panel hole for optional screw fixing



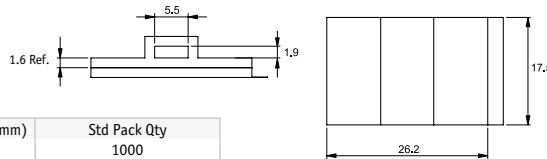
Part Number		Type	Tie Width (mm)	Dimensions (mm)			Panel Hole Dia (mm)	Std Pack Qty
Natural	Black			W1	L	H		
460329	494643	1	2.4-3.2	3.2	12.5 x 12.5	3.2	100	
460330	494644	2	2.4-3.6	4.5	19 x 19	3.9	100	
460331	494645	1	2.4-3.6	4.7	21 x 21	3.5	100	
460332	494646	3	2.4-4.8	5.0	28 x 28	4.0	100	
460333	494647	4	2.4-4.8	5.0	28 x 28	4.0	100	
460334	494648	5	2.4-4.5	4.5	18 x 18	4.5	100	

Cable Tie Holder on Adhesive Base

FTH-2A

Natural Rigid PVC, RMS-193

Adhesive: RMS-324



Part Number	Max Cable Tie Width Accepted (mm)	Std Pack Qty
FTH-2A4-RT	5.3	1000

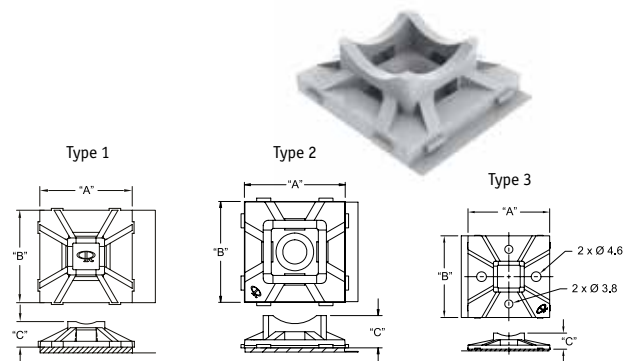


Cable Tie Holder

FTH-5/FTH-7/FTH-8/ FTH-10/MFTH

Natural UL94 V-2 Nylon 6/6

Part Number	Adhesive	Type	Max Cable Tie Width Accepted	Dimensions (mm)			Mounting Screw	Std Pack Qty
				"A"	"B"	"C"		
MFTH-2-01A4-RT	Rubber, RMS-24	1	2.5	12.7	12.7	3.5	-	1000
FTH-5A4-RT-M	Rubber, RMS-24	2	3.5	19.1	19.1	6.1	M3.5 Flat Head	1000
FTH-5-01-M	None	2	3.5	19.1	19.1	6.1	M3.5 Flat Head	1000
FTH-7A4-RT-M	Rubber, RMS-24	2	3.5	25.4	25.4	7.1	M4 Flat Head	1000
FTH-7-01-M	None	2	3.5	25.4	25.4	7.1	M4 Flat Head	1000
FTH-8A-RT-M	Acrylic, RMS-15	3	8.3	38.1	38.1	7.6	2 x M4 or 2 x M3.5	1000
FTH-10A-RT-M	Acrylic, RMS-15	3	8.3	50.8	50.8	7.6	2 x M4 or 2 x M3.5	1000

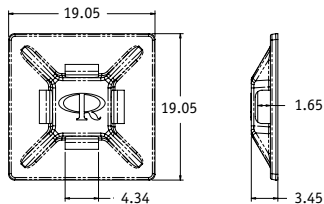


CABLE MOUNTS

Low Profile Cable Tie Holder

FTH-40

White ABS, RMS-02



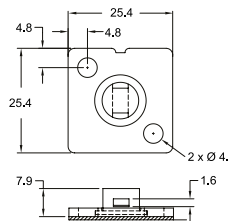
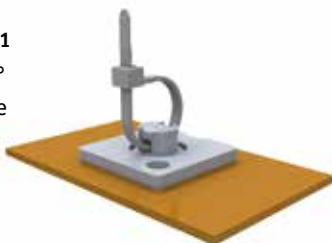
Part Number	Max Cable Tie Width Accepted (mm)	Adhesive	Std Pack Qty
FTH-40	4.1	None	1000
FTH-40A-RT	4.1	Acrylic, RMS-15	1000
FTH-40A1-RT	4.1	Rubber, RMS-102	1000

Cable Tie Holder with Swivel

FTH-4

Natural UL94 V-2 Nylon 6/6, RMS-01

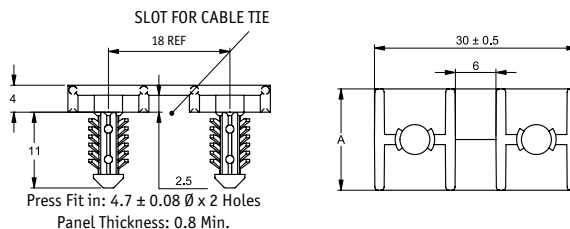
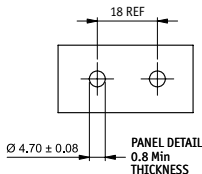
- Unique swivel head allows 360° rotation of the mounted bundle



Part Number	Max Cable Tie Width Accepted (mm)	Adhesive	Mounting Screw	Std Pack Qty
FTH-4A-RT-M	3.8	Acrylic, RMS-15	2 x M4	1000

Heavy Duty Cable Tie Holder

FTH-42

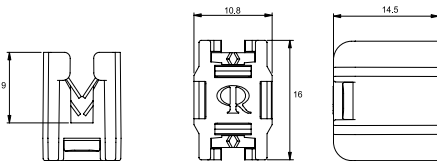


Part Number		"A" Dimension	Max Cable Tie Width Accepted	Std Pack Qty
Natural UL94 V-2 Nylon 6/6, RMS-01	Black UL94 V-2 Nylon 6/6, RMS-01	7	5.8	1000
FTH-42-1-01	FTH-42-1-01BK	15	5.8	1000
FTH-42-2-01	FTH-42-2-01BK	25	5.8	1000

Edge Mount Cable Tie Holder

FTH-31

- Retention Force to Steel Panel: Minimum 25N 0.8mm Panel; Minimum 45N 3mm Panel
- Retention Force to Plastic Panel: Minimum 150N 2.4 - 3mm



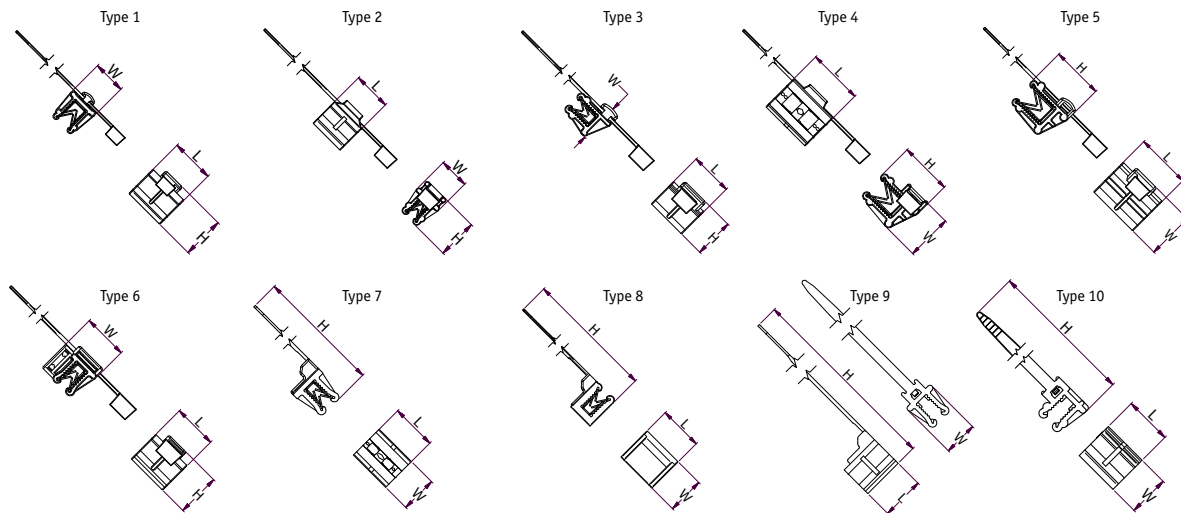
Part Number	Panel Thickness (mm)	Max Cable Tie Width Accepted (mm)	Material Clip	Material Housing	Std Pack Qty
FTH-31-01	0.8 - 3	4.8	Stainless Steel Type '2B' Bright Finish, RMS-365 Grade 304 (1.4301 thick)	UL94 V-2 Nylon 6/6, RMS-01 Color: Black	1000
FTH-31-UVB	0.8 - 3	4.8	Stainless Steel Type '2B' Bright Finish, RMS-365 Grade 304 (1.4301 thick)	UL94 UV Stabilised V2 Nylon 6/6, RMS-46 Color: Black	1000

Metal Edge Cable Tie Mounting Clips

SR 6261

Polyamide and Spring Steel acc. to EN 10132-4

- Push on plastic /metal sheet edge anchors for cable ties
- Retention of 200N based on a standard 2mm panel size
- Permanent fixing for all sheet material applications
- In top or side mounting options and different bundle orientations
- Available as clip or with cable tie already installed
- Standard Tie :- 200 x 4.8mm 200N Retention Force. Max bundle Dia 45mm



Part Number	Panel Thickness (mm)	Dimensions (mm)				Type	Cable Tie Size	Std Pack Qty
		"W"	"L"	"H"				
550243	0.7 - 3.0mm	12.0	15	15.8	1	-	100	
550244	0.7 - 3.0mm	13.9	15	15.6	3	-	100	
550245	0.7 - 3.0mm	12.0	15	15.6	2	-	100	
550246	3.0 - 6.0mm	15.1	20	18.8	2	-	100	
550247	0.7 - 3.0mm	13.9	15	15.6	4	-	100	
550248	3.0 - 6.0mm	15.1	20	19.2	1	-	100	
550249	3.0 - 6.0mm	17.1	20	19.0	5	-	100	
550250	3.0 - 6.0mm	17.1	20	18.8	4	-	100	
550251	0.7 - 3.0mm	15.1	15	15.1	6	-	100	
550252	0.7 - 3.0mm	12.0	15	15.8	1	200 x 4.8 x 1.2	100	
550253	0.7 - 3.0mm	13.9	15	15.6	3	200 x 4.8 x 1.2	100	
550254	0.7 - 3.0mm	12.0	15	15.6	2	200 x 4.8 x 1.2	100	
550255	3.0 - 6.0mm	15.1	20	18.8	2	200 x 4.8 x 1.2	100	
550256	0.7 - 3.0mm	13.9	15	15.6	4	200 x 4.8 x 1.2	100	
550257	3.0 - 6.0mm	15.1	20	19.2	1	200 x 4.8 x 1.2	100	
550258	3.0 - 6.0mm	17.1	20	19.0	5	200 x 4.8 x 1.2	100	
550259	3.0 - 6.0mm	17.1	20	18.8	4	200 x 4.8 x 1.2	100	
550260	0.7 - 3.0mm	15.1	15	15.1	6	200 x 4.8 x 1.2	100	
550277	0.7 - 3.0mm	15.0	20	167.0	7	140 x 3.6 x 1.2	100	
550278	0.7 - 3.0mm	15.0	20	168.0	8	140 x 3.6 x 1.2	100	
550279	0.7 - 3.0mm	15.0	20	167.0	9	140 x 3.6 x 1.2	100	
550280	0.7 - 3.0mm	15.0	20	167.0	10	140 x 3.6 x 1.2	100	

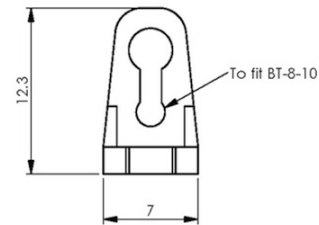
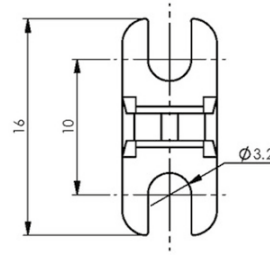
CABLE MOUNTS

Bead Lanyard Hank Tie Base

SR 6274

Natural Nylon 6/6

- Limits travel of case lid or cabinet door
- Low cost alternative to conventional case or cabinet stay
- Fully adjustable travel length
- Simply mounted by push rivets or screw
- Lightweight
- Hank tie is not included



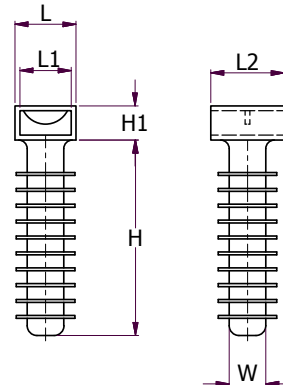
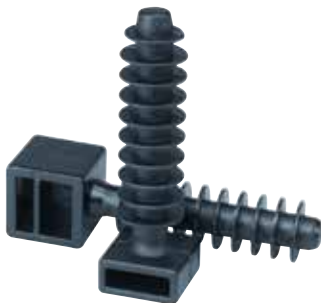
Part Number	Length of Base	Dimensions (mm)		Beaded Hank Tie Required	Std Pack Qty
		Mounting Hole Diameter			
551852	16mm	3.2mm		BT-8-10	100

Masonry Mount Cable Tie Mount

WPM

Black UL94 V-2 Nylon 6/6

- Simply press into pre-drilled holes
- Ideal for use with any of our standard or heavy duty cable ties



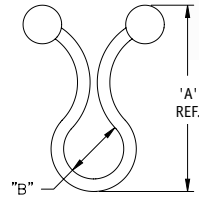
Part Number	Type	Dimensions (mm)							Std Pack Qty
		H	H1	W	L	L1	L2		
WPM001B	1	37.0	6.3	10.0	12.7	9.7	12.5	100	
WPM002A	2	36.2	13.0	10.0	12.9	9.7	12.4	100	

Twist Lock

TL

UL94 V2 Nylon 6/6, RMS-01

Part Number		"A" (mm)	Cable Bundle Dia. (mm)	Std Pack Qty
Natural	Black			
058005000002	-	20.0	4-6.5	1000
TL-250	TL-250BK	22.9	5.1-7.6	1000
TL-350	TL-350BK	26.2	7.6-10.2	1000
TL-450	TL-450BK	30.5	10.2-12.7	1000
TL-600	TL-600BK	33.7	14-16.5	1000
TL-750	TL-750BK	39.4	17.8-20.3	1000
TL-950	TL-950BK	43.4	Max. 25.4	1000
TL-1125	TL-1125BK	55.6	Max. 30.2	1000
TL-1375	TL-1375BK	68.1	Max. 36.5	1000
TL-1500	TL-1500BK	74.4	Max. 39.7	1000
TL-1750	-	87.6	Max. 46	1000

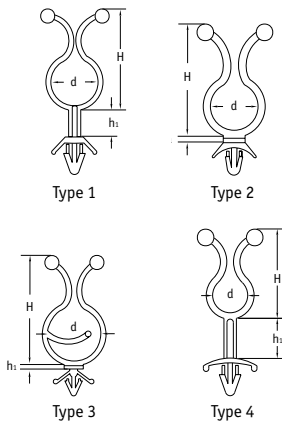


Push-In Twist Ties

SR 1728

Natural Nylon 6.6

- Reusable and releasable for easy wire bundling
- Easy open-and-twist fit to cables
- Flammability rating UL94 V2
- Lock into 4.8mm hole



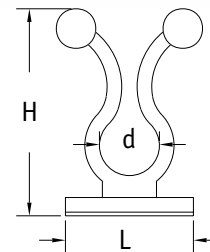
Part Number	Type	Dimensions (mm)			Std Pack Qty
		H	h1	d	
460350	1	21.5	28.1	6.0	100
460351	1	30.0	17.5	11.0	100
460352	1	30.0	1.1	11.6	100
460353	1	29.7	2.5	10.5	100
460357	1	33.0	8.7	15.5	100
460361	1	34.0	1.1	15.6	100
460362	1	46.2	3.1	24.0	100
460354	2	33.4	1.4	14.8	100
460355	3	38.3	1.4	18.5	100
460359	4	28.5	12.2	11.0	100

Adhesive Twist Ties

SR 1727

Natural Nylon 6.6

- Strong adhesion for quick and easy installation
- Easy open-and-twist fit to cables
- Flammability rating UL94 V2



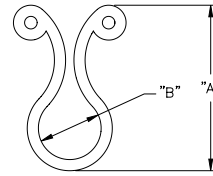
Part Number	Cable Bundle Dia (mm)	Dimensions (mm)			Std Pack Qty
		d	H	L	
460347	7-10	7.9	27.5	17.4	100
460348	10-15	14.8	35.2	22.0	100
460349	15-20	20.6	40.0	25.5	100

TWIST TIES AND CABLE CLIPS

Kurly Lock

KL

Natural UL94 V2 Nylon 6/6, RMS-01

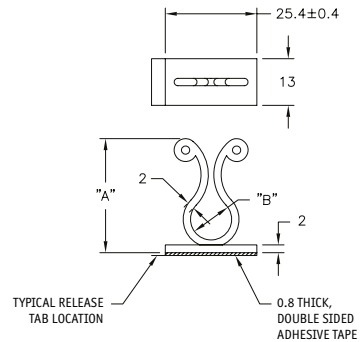


Part Number	Dimensions (mm)		Std Pack Qty
	"A"	"B" Wire Bundle Ø	
KL-125	12.2	3.2 - 3.8	1000
KL-200	20.7	4.1 - 6.1	1000
KL-250	23.0	5.1 - 7.6	1000
KL-350	26.2	7.6 - 10.2	1000
KL-450	30.5	10.2 - 12.7	1000
KL-600	31.8	14 - 16.5	1000
KL-750	38.6	17.8 - 20.3	1000
KL-950	44.5	22.9 - 25.4	1000

Kurly Lock on Adhesive Base

KL B

Natural

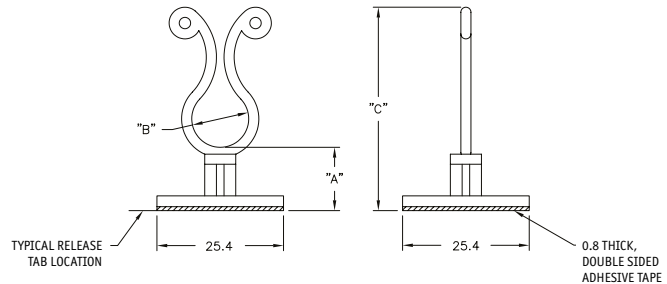


Part Number		"A" (mm)	"B" Bundle Ø Range (mm)	Adhesive Base	Std Pack Qty
Nylon 6/6, RMS-01	UL94 V0 Nylon 6/6, RMS-19				
KLB-350A4-RT	KLB-350A4-RT-19	27.2	7.6 - 10.2	RMS-324	1000
KLB-450A4-RT	KLB-450A4-RT-19	31.2	10.2 - 12.7	RMS-324	1000
KLB-750A-RT	KLB-750A-RT-19	40.1	17.8 - 20.3	RMS-15	1000

Kurly Lock on Adhesive Base with Stand-Off

KLBS

Natural UL94 V2 Nylon 6/6, RMS-01



Part Number	Dimensions mm			Adhesive Base	Std Pack Qty
	"A"	"C"	"B" Bundle Ø		
KLBS-3504-01A4	6.4	32.5	7.6 - 10.2	RMS-324	1000
KLBS-3508-01A	12.7	38.9	7.6 - 10.2	RMS-15	1000
KLBS-35012-01A4	19.1	45.2	7.6 - 10.2	RMS-324	1000
KLBS-35016-01A	25.4	51.6	7.6 - 10.2	RMS-15	1000

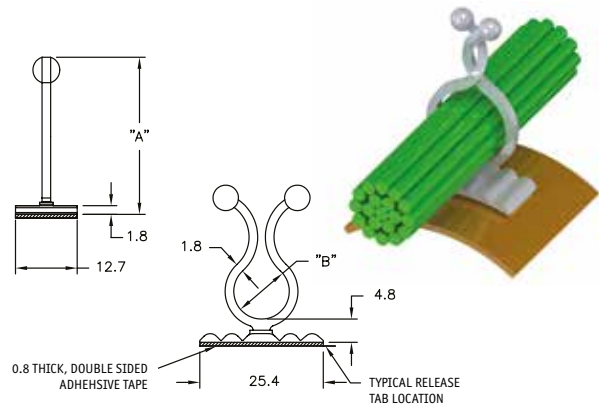
Twist Lock on Flexible Adhesive Base

TLFB

Nylon 6/6, RMS-01 Color: Natural;

Adhesive back, RMS-102

Part Number	"A" (mm)	"B" Bundle Ø (mm)	Std Pack Qty
TLFB-350-01A1	29.3	7.6 - 10.2	1000
TLFB-450-01A1	32.3	10.2 - 12.7	1000
TLFB-750-01A1	40.9	17.8 - 20.3	1000

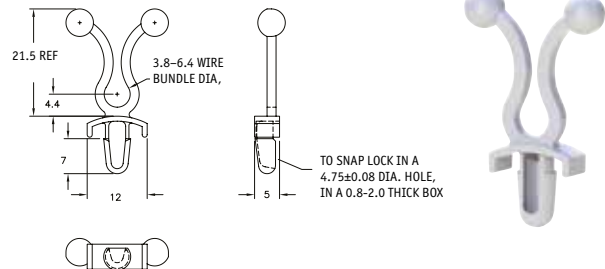


Twist Lock, Type "J"

TLJ

Natural Nylon 6/6, RMS-01

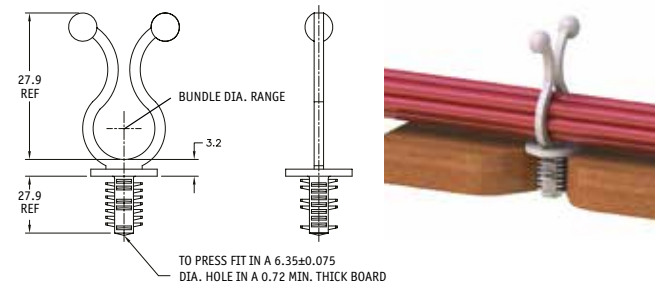
Part Number	Std Pack Qty
TLJ-200-01	500



Blind Hole Twist-Lock

STL-8

Part Number		Std Pack Qty
UL94 V2 Nylon 6/6, RMS-01	UL94 V0 Nylon 6/6, RMS-19	1000
STL-8-450-2-01	STL-8-450-2-19	

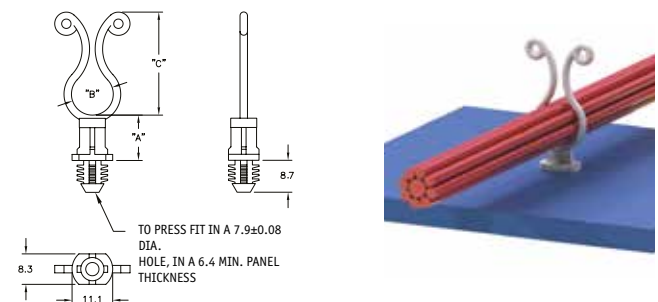


Blind Hole Kurly Lock

BHKL

Natural UL94 V2 Nylon 6/6, RMS-01

Part Number	Dimensions (mm)			Std Pack Qty
	"A"	"B" Bundle Ø Range	"C"	
BHKL-350-4-01	6.4	7.6 - 10.2	25.4	1000
BHKL-350-10-01	15.9	7.6 - 10.2	25.4	1000
BHKL-450-4-01	6.4	10.2 - 12.7	28.6	1000
BHKL-450-6-01	9.5	10.2 - 12.7	28.6	1000
BHKL-750-4-01	6.4	17.8 - 20.3	38.1	1000
BHKL-750-6-01	9.5	17.8 - 20.3	38.1	1000

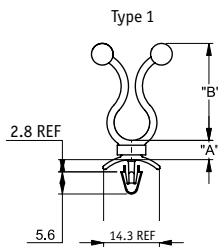


TWIST TIES AND CABLE CLIPS

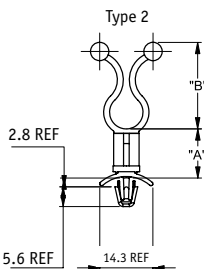
Stand-Off Twist Lock

STL

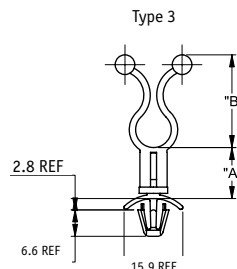
Natural UL94 V2 Nylon 6/6 RMS-01



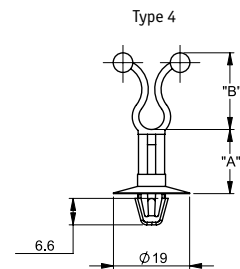
Bottom Hole: Snap-lock $\varnothing 4 \pm 0.08$
Panel Thickness: 0.8-2



Bottom Hole: Snap-lock $\varnothing 4.75 \pm 0.08$
Panel Thickness: 0.8-2



Bottom Hole: Snap-lock $\varnothing 6 \pm 0.08$
Panel Thickness: 0.8-2



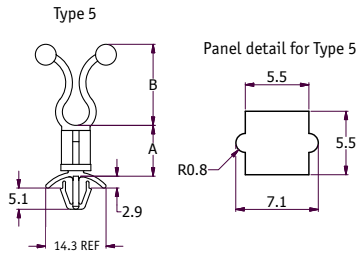
Bottom Hole: Snap-lock $\varnothing 6.5 \pm 0.09$
Panel Thickness: 0.8-1.6

Part Number				Dimensions (mm)			Std Pack Qty
Type 1	Type 2	Type 3	Type 4	"A"	"B"	Bundle \varnothing	
STL1-250-4M-01	STL-J-250-4M-01	-	-	4	19.1	5.1-7.6	1000
STL1-250-3-01	STL-250-3-01	STL-6-250-3-01	STL-5-250-3-01	4.8	19.1	5.1-7.6	1000
-	-	STL6-250-6M-01	STL5-250-6M-01	6	19.1	5.1-7.6	1000
STL1-250-8M-01	STL-J-250-8M-01	-	STL5-250-8M-01	8	19.1	5.1-7.6	1000
STL1-250-10M-01	STL-250-10M-01	STL6-250-10M-01	STL5-250-10M-01	10	19.1	5.1-7.6	1000
STL1-250-12M-01	STL-250-12M-01	STL6-250-12M-01	STL5-250-12M-01	12	19.1	5.1-7.6	1000
STL1-250-8-01	STL-250-8-01	-	STL-5-250-8-01	12.7	19.1	5.1-7.6	1000
STL1-250-12-01	STL-250-12-01	STL-6-250-12-01	STL-5-250-12-01	19.1	19.1	5.1-7.6	1000
STL-1-250-16-01	STL-250-16-01	STL-6-250-16-01	STL-5-250-16-01	25.4	19.1	5.1-7.6	1000
STL-1-250-20-01	STL-250-20-01	-	STL-5-250-20-01	31.8	19.1	5.1-7.6	1000
STL1-350-4M-01	STL-J-350-4M-01	-	-	4	23.1	7.6-10.2	1000
STL-1-350-3-01	STL-350-3-01	STL-6-350-3-01	STL-5-350-3-01	4.8	23.1	7.6-10.2	1000
STL1-350-6M-01	STL-J-350-6M-01	STL6-350-6M-01	STL5-350-6M-01	6	23.1	7.6-10.2	1000
STL1-350-8M-01	STL-J-350-8M-01	STL6-350-8M-01	STL5-350-8M-01	8	23.1	7.6-10.2	1000
STL1-350-10M-01	-	STL6-350-10M-01	STL5-350-10M-01	10	23.1	7.6-10.2	1000
STL1-350-12M-01	STL-350-12M-01	STL6-350-12M-01	STL5-350-12M-01	12	23.1	7.6-10.2	1000
STL-1-350-8-01	STL-350-8-01	-	STL-5-350-8-01	12.7	23.1	7.6-10.2	1000
STL-1-350-12-01	STL-350-12-01	-	STL-5-350-12-01	19.1	23.1	7.6-10.2	1000
STL-1-350-16-01	-	STL-6-350-16-01	STL-5-350-16-01	25.4	23.1	7.6-10.2	1000
-	STL-350-20-01	-	STL-5-350-20-01	31.8	23.1	7.6-10.2	1000
STL1-450-4M-01	STL-J-450-4M-01	STL6-450-4M-01	-	4	27.7	10.2-12.7	1000
STL-1-450-3-01	STL-450-3-01	-	STL-5-450-3-01	4.8	27.7	10.2-12.7	1000
STL1-450-6M-01	STL-J-450-6M-01	STL6-450-6M-01	STL5-450-6M-01	6	27.7	10.2-12.7	1000
STL1-450-8M-01	STL-J-450-8M-01	STL6-450-8M-01	STL5-450-8M-01	8	27.7	10.2-12.7	1000
STL1-450-10M-01	STL-450-10M-01	STL6-450-10M-01	-	10	27.7	10.2-12.7	1000
-	STL-450-12M-01	STL6-450-12M-01	-	12	27.7	10.2-12.7	1000
STL-1-450-8-01	STL-450-8-01	STL-6-450-8-01	STL-5-450-8-01	12.7	27.7	10.2-12.7	1000
STL-1-450-12-01	STL-450-12-01	STL-6-450-12-01	STL-5-450-12-01	19.1	27.7	10.2-12.7	1000
STL-1-450-16-01	STL-450-16-01	STL-6-450-16-01	STL-5-450-16-01	25.4	27.7	10.2-12.7	1000
-	STL-450-20-01	STL-6-450-20-01	STL-5-450-20-01	31.8	27.7	10.2-12.7	1000
STL1-600-4M-01	STL-J-600-4M-01	-	-	4	32.5	12.7-15.2	1000
STL-1-600-3-01	STL-600-3-01	-	STL-5-600-3-01	4.8	32.5	12.7-15.2	1000
STL1-600-6M-01	STL-J-600-6M-01	STL6-600-6M-01	STL5-600-6M-01	6	32.5	12.7-15.2	1000
STL1-600-8M-01	STL-J-600-8M-01	STL6-600-8M-01	STL5-600-8M-01	8	32.5	12.7-15.2	1000
STL1-600-10M-01	STL-600-10M-01	STL6-600-10M-01	STL5-600-10M-01	10	32.5	12.7-15.2	1000
STL1-600-12M-01	-	STL6-600-12M-01	STL5-600-12M-01	12	32.5	12.7-15.2	1000
STL-1-600-8-01	STL-600-8-01	-	-	12.7	32.5	12.7-15.2	1000
STL-1-600-12-01	STL-600-12-01	STL-6-600-12-01	STL-5-600-12-01	19.1	32.5	12.7-15.2	1000
STL-1-600-16-01	STL-600-16-01	STL-6-600-16-01	STL-5-600-16-01	25.4	32.5	12.7-15.2	1000
STL-1-600-20-01	STL-600-20-01	STL-6-600-20-01	STL-5-600-20-01	31.8	32.5	12.7-15.2	1000
STL1-750-4M-01	STL-J-750-4M-01	-	STL5-750-4M-01	4	36.8	17.8-20.3	1000
STL-1-750-3-01	STL-750-3-01	STL-6-750-3-01	STL-5-750-3-01	4.8	36.8	17.8-20.3	1000
STL1-750-6M-01	STL-J-750-6M-01	STL6-750-6M-01	STL5-750-6M-01	6	36.8	17.8-20.3	1000
STL1-750-8M-01	STL-J-750-8M-01	STL6-750-8M-01	STL5-750-8M-01	8	36.8	17.8-20.3	1000
STL1-750-10M-01	STL-750-10M-01	STL6-750-10M-01	STL5-750-10M-01	10	36.8	17.8-20.3	1000
-	-	STL6-750-12M-01	STL5-750-12M-01	12	36.8	17.8-20.3	1000
STL-1-750-8-01	STL-750-8-01	STL-6-750-8-01	STL-5-750-8-01	12.7	36.8	17.8-20.3	1000
STL-1-750-12-01	STL-750-12-01	STL-6-750-12-01	STL-5-750-12-01	19.1	36.8	17.8-20.3	1000
STL-1-750-16-01	STL-750-16-01	STL-6-750-16-01	STL-5-750-16-01	25.4	36.8	17.8-20.3	1000
-	STL-750-20-01	STL-6-750-20-01	-	31.8	36.8	17.8-20.3	1000

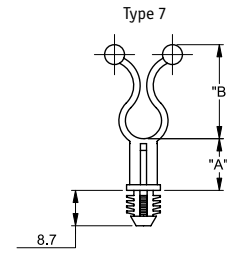
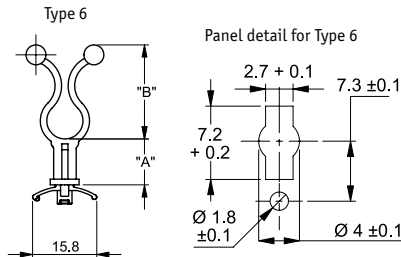
Stand-Off Twist Lock CONTINUED

STL

Natural UL94 V2 Nylon 6/6 RMS-01



Bottom Hole: Snap-lock 5.5 square
Panel Thickness: 0.8-2.0



Bottom Hole: Press-fit Ø 8.0 ± 0.08
Panel Thickness: 6.4 Min.

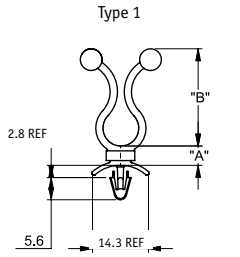
Part Number			Dimensions (mm)			Std Pack Qty
Type 5	Type 6	Type 7	"A"	"B"	Bundle Ø	
STL2-250-4M-01	STL9-250-4M-01	STL3-250-4M-01	4	19.1	5.1-7.6	1000
-	STL9-250-3-01	STL3-250-3-01	4.8	19.1	5.1-7.6	1000
STL2-250-6M-01	STL9-250-6M-01	STL3-250-6M-01	6	19.1	5.1-7.6	1000
STL2-250-8M-01	STL9-250-8M-01	STL3-250-8M-01	8	19.1	5.1-7.6	1000
STL2-250-10M-01	STL9-250-10M-01	STL3-250-10M-01	10	19.1	5.1-7.6	1000
STL2-250-12M-01	STL9-250-12M-01	STL3-250-12M-01	12	19.1	5.1-7.6	1000
STL-2-250-8-01	STL-9-250-8-01	STL-3-250-8-01	12.7	19.1	5.1-7.6	1000
STL-2-250-12-01	STL-9-250-12-01	STL-3-250-12-01	19.1	19.1	5.1-7.6	1000
-	STL-9-250-16-01	STL-3-250-16-01	25.4	19.1	5.1-7.6	1000
STL-2-250-20-01	STL-9-250-20-01	STL-3-250-20-01	31.8	19.1	5.1-7.6	1000
STL2-350-4M-01	STL9-350-4M-01	STL3-350-4M-01	4	23.1	7.6-10.2	1000
-	STL-9-350-3-01	STL-3-350-3-01	4.8	23.1	7.6-10.2	1000
STL2-350-6M-01	STL9-350-6M-01	STL3-350-6M-01	6	23.1	7.6-10.2	1000
STL2-350-8M-01	STL9-350-8M-01	STL3-350-8M-01	8	23.1	7.6-10.2	1000
STL2-350-10M-01	STL9-350-10M-01	STL3-350-10M-01	10	23.1	7.6-10.2	1000
STL2-350-12M-01	STL9-350-12M-01	STL3-350-12M-01	12	23.1	7.6-10.2	1000
STL-2-350-8-01	STL-9-350-8-01	STL-3-350-8-01	12.7	23.1	7.6-10.2	1000
STL-2-350-12-01	STL-9-350-12-01	-	19.1	23.1	7.6-10.2	1000
STL-2-350-16-01	STL-9-350-16-01	STL-3-350-16-01	25.4	23.1	7.6-10.2	1000
STL-2-350-20-01	STL-9-350-20-01	STL-3-350-20-01	31.8	23.1	7.6-10.2	1000
STL2-450-4M-01	-	STL3-450-4M-01	4	27.7	10.2-12.7	1000
STL-2-450-3-01	-	STL-3-450-3-01	4.8	27.7	10.2-12.7	1000
STL2-450-6M-01	STL9-450-6M-01	STL3-450-6M-01	6	27.7	10.2-12.7	1000
STL2-450-8M-01	STL9-450-8M-01	STL3-450-8M-01	8	27.7	10.2-12.7	1000
STL2-450-10M-01	STL9-450-10M-01	STL3-450-10M-01	10	27.7	10.2-12.7	1000
STL2-450-12M-01	STL9-450-12M-01	STL3-450-12M-01	12	27.7	10.2-12.7	1000
STL-2-450-8-01	STL-9-450-8-01	STL-3-450-8-01	12.7	27.7	10.2-12.7	1000
STL-2-450-12-01	STL-9-450-12-01	-	19.1	27.7	10.2-12.7	1000
STL-2-450-16-01	STL-9-450-16-01	STL-3-450-16-01	25.4	27.7	10.2-12.7	1000
STL-2-450-20-01	STL-9-450-20-01	STL-3-450-20-01	31.8	27.7	10.2-12.7	1000
STL2-600-4M-01	STL9-600-4M-01	STL3-600-4M-01	4	32.5	12.7-15.2	1000
STL-2-600-3-01	STL-9-600-3-01	STL-3-600-3-01	4.8	32.5	12.7-15.2	1000
STL2-600-6M-01	STL9-600-6M-01	STL3-600-6M-01	6	32.5	12.7-15.2	1000
STL2-600-8M-01	STL9-600-8M-01	STL3-600-8M-01	8	32.5	12.7-15.2	1000
STL2-600-10M-01	STL9-600-10M-01	STL3-600-10M-01	10	32.5	12.7-15.2	1000
STL2-600-12M-01	STL9-600-12M-01	STL3-600-12M-01	12	32.5	12.7-15.2	1000
STL-2-600-8-01	STL-9-600-8-01	STL-3-600-8-01	12.7	32.5	12.7-15.2	1000
STL-2-600-12-01	STL-9-600-12-01	STL-3-600-12-01	19.1	32.5	12.7-15.2	1000
STL-2-600-16-01	STL-9-600-16-01	STL-3-600-16-01	25.4	32.5	12.7-15.2	1000
STL-2-600-20-01	STL-9-600-20-01	STL-3-600-20-01	31.8	32.5	12.7-15.2	1000
STL2-750-4M-01	STL9-750-4M-01	STL3-750-4M-01	4	36.8	17.8-20.3	1000
STL-2-750-3-01	-	STL-3-750-3-01	4.8	36.8	17.8-20.3	1000
STL2-750-6M-01	STL9-750-6M-01	STL3-750-6M-01	6	36.8	17.8-20.3	1000
STL2-750-8M-01	STL9-750-8M-01	STL3-750-8M-01	8	36.8	17.8-20.3	1000
STL2-750-10M-01	STL9-750-10M-01	STL3-750-10M-01	10	36.8	17.8-20.3	1000
STL2-750-12M-01	STL9-750-12M-01	STL3-750-12M-01	12	36.8	17.8-20.3	1000
STL-2-750-8-01	STL-9-750-8-01	STL-3-750-8-01	12.7	36.8	17.8-20.3	1000
STL-2-750-12-01	STL-9-750-12-01	STL-3-750-12-01	19.1	36.8	17.8-20.3	1000
STL-2-750-16-01	STL-9-750-16-01	STL-3-750-16-01	25.4	36.8	17.8-20.3	1000
STL-2-750-20-01	STL-9-750-20-01	STL-3-750-20-01	31.8	36.8	17.8-20.3	1000

TWIST TIES AND CABLE CLIPS

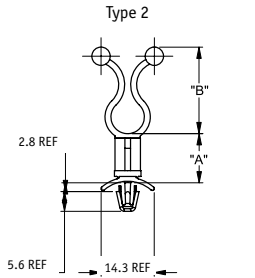
Stand-Off Twist Lock UL94 V0

STL

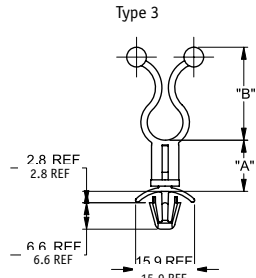
Natural UL94 V0 Nylon 6/6 RMS-19



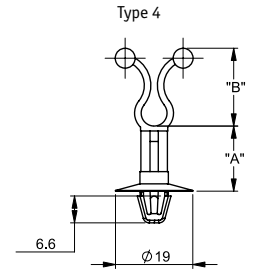
Bottom Hole: Snap-lock $\varnothing 4 \pm 0.08$
Panel Thickness: 0.8-2



Bottom Hole: Snap-lock $\varnothing 4.75 \pm 0.08$
Panel Thickness: 0.8-2



Bottom Hole: Snap-lock $\varnothing 6 \pm 0.08$
Panel Thickness: 0.8-2



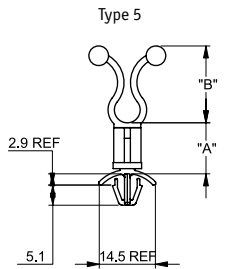
Bottom Hole: Snap-lock $\varnothing 6.5 \pm 0.09$
Panel Thickness: 0.8-1.6

Part Number				Dimensions (mm)			Std Pack Qty
Type 1	Type 2	Type 3	Type 4	"A"	"B"	Bundle \varnothing	
STL1-250-4M-19	STL-J-250-4M-19	STL6-250-4M-19	STL5-250-4M-19	4	19.1	5.1-7.6	1000
-	STL-250-3-19	STL-6-250-3-19	STL-5-250-3-19	4.8	19.1	5.1-7.6	1000
STL1-250-6M-19	STL-J-250-6M-19	STL6-250-6M-19	STL5-250-6M-19	6	19.1	5.1-7.6	1000
STL1-250-8M-19	STL-J-250-8M-19	STL6-250-8M-19	STL5-250-8M-19	8	19.1	5.1-7.6	1000
STL1-250-10M-19	-	STL6-250-10M-19	STL5-250-10M-19	10	19.1	5.1-7.6	1000
STL1-250-12M-19	STL-250-12M-19	STL6-250-12M-19	STL5-250-12M-19	12	19.1	5.1-7.6	1000
STL-1-250-8-19	STL-250-8-19	STL-6-250-8-19	STL-5-250-8-19	12.7	19.1	5.1-7.6	1000
STL-1-250-12-19	STL-250-12-19	STL-6-250-12-19	STL-5-250-12-19	19.1	19.1	5.1-7.6	1000
STL-1-250-16-19	STL-250-16-19	STL-6-250-16-19	STL-5-250-16-19	25.4	19.1	5.1-7.6	1000
STL-1-250-20-19	STL-250-20-19	STL-6-250-20-19	STL-5-250-20-19	31.8	19.1	5.1-7.6	1000
STL1-350-4M-19	STL-J-350-4M-19	STL6-350-4M-19	STL5-350-4M-19	4	23.1	7.6-10.2	1000
STL-1-350-3-19	STL-350-3-19	-	STL-5-350-3-19	4.8	23.1	7.6-10.2	1000
STL1-350-6M-19	STL-J-350-6M-19	STL6-350-6M-19	STL5-350-6M-19	6	23.1	7.6-10.2	1000
STL1-350-8M-19	STL-J-350-8M-19	STL6-350-8M-19	STL5-350-8M-19	8	23.1	7.6-10.2	1000
STL1-350-10M-19	STL-350-10M-19	STL6-350-10M-19	STL5-350-10M-19	10	23.1	7.6-10.2	1000
STL1-350-12M-19	STL-350-12M-19	STL6-350-12M-19	STL5-350-12M-19	12	23.1	7.6-10.2	1000
STL-1-350-8-19	STL-350-8-19	STL-6-350-8-19	STL-5-350-8-19	12.7	23.1	7.6-10.2	1000
-	STL-350-12-19	STL-6-350-12-19	STL-5-350-12-19	19.1	23.1	7.6-10.2	1000
STL-1-350-16-19	STL-350-16-19	STL-6-350-16-19	STL-5-350-16-19	25.4	23.1	7.6-10.2	1000
STL-1-350-20-19	STL-350-20-19	STL-6-350-20-19	STL-5-350-20-19	31.8	23.1	7.6-10.2	1000
STL1-450-4M-19	STL-J-450-4M-19	STL6-450-4M-19	STL5-450-4M-19	4	27.7	10.2-12.7	1000
STL-1-450-3-19	STL-450-3-19	STL-6-450-3-19	STL-5-450-3-19	4.8	27.7	10.2-12.7	1000
-	STL-J-450-6M-19	STL6-450-6M-19	STL5-450-6M-19	6	27.7	10.2-12.7	1000
STL1-450-8M-19	STL-J-450-8M-19	STL6-450-8M-19	STL5-450-8M-19	8	27.7	10.2-12.7	1000
STL1-450-10M-19	STL-450-10M-19	STL6-450-10M-19	STL5-450-10M-19	10	27.7	10.2-12.7	1000
STL1-450-12M-19	STL-450-12M-19	STL6-450-12M-19	STL5-450-12M-19	12	27.7	10.2-12.7	1000
STL-1-450-8-19	STL-450-8-19	STL-6-450-8-19	STL-5-450-8-19	12.7	27.7	10.2-12.7	1000
STL-1-450-12-19	STL-450-12-19	STL-6-450-12-19	STL-5-450-12-19	19.1	27.7	10.2-12.7	1000
STL-1-450-16-19	STL-450-16-19	STL-6-450-16-19	STL-5-450-16-19	25.4	27.7	10.2-12.7	1000
STL-1-450-20-19	STL-450-20-19	STL-6-450-20-19	STL-5-450-20-19	31.8	27.7	10.2-12.7	1000
STL1-600-4M-19	STL-J-600-4M-19	STL6-600-4M-19	STL5-600-4M-19	4	32.5	12.7-15.2	1000
STL-1-600-3-19	STL-600-3-19	-	STL-5-600-3-19	4.8	32.5	12.7-15.2	1000
STL1-600-6M-19	STL-J-600-6M-19	STL6-600-6M-19	STL5-600-6M-19	6	32.5	12.7-15.2	1000
STL1-600-8M-19	STL-J-600-8M-19	STL6-600-8M-19	STL5-600-8M-19	8	32.5	12.7-15.2	1000
STL1-600-10M-19	STL-600-10M-19	STL6-600-10M-19	STL5-600-10M-19	10	32.5	12.7-15.2	1000
STL1-600-12M-19	STL-600-12M-19	STL6-600-12M-19	STL5-600-12M-19	12	32.5	12.7-15.2	1000
STL-1-600-8-19	STL-600-8-19	STL-6-600-8-19	STL-5-600-8-19	12.7	32.5	12.7-15.2	1000
STL-1-600-12-19	STL-600-12-19	STL-6-600-12-19	STL-5-600-12-19	19.1	32.5	12.7-15.2	1000
STL-1-600-16-19	STL-600-16-19	STL-6-600-16-19	STL-5-600-16-19	25.4	32.5	12.7-15.2	1000
STL-1-600-20-19	STL-600-20-19	STL-6-600-20-19	STL-5-600-20-19	31.8	32.5	12.7-15.2	1000
STL1-750-4M-19	STL-J-750-4M-19	STL6-750-4M-19	STL5-750-4M-19	4	36.8	17.8-20.3	1000
STL-1-750-3-19	STL-750-3-19	STL-6-750-3-19	STL-5-750-3-19	4.8	36.8	17.8-20.3	1000
STL1-750-6M-19	STL-J-750-6M-19	STL6-750-6M-19	STL5-750-6M-19	6	36.8	17.8-20.3	1000
STL1-750-8M-19	STL-J-750-8M-19	STL6-750-8M-19	STL5-750-8M-19	8	36.8	17.8-20.3	1000
STL1-750-10M-19	STL-750-10M-19	STL6-750-10M-19	STL5-750-10M-19	10	36.8	17.8-20.3	1000
STL1-750-12M-19	-	STL6-750-12M-19	STL5-750-12M-19	12	36.8	17.8-20.3	1000
STL-1-750-8-19	STL-750-8-19	STL-6-750-8-19	STL-5-750-8-19	12.7	36.8	17.8-20.3	1000
STL-1-750-12-19	STL-750-12-19	STL-6-750-12-19	STL-5-750-12-19	19.1	36.8	17.8-20.3	1000
STL-1-750-16-19	STL-750-16-19	STL-6-750-16-19	STL-5-750-16-19	25.4	36.8	17.8-20.3	1000
STL-1-750-20-19	STL-750-20-19	STL-6-750-20-19	STL-5-750-20-19	31.8	36.8	17.8-20.3	1000

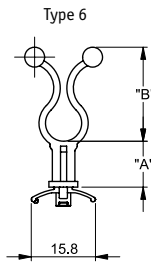
Stand-Off Twist Lock UL94 V0 *CONTINUED*

STL

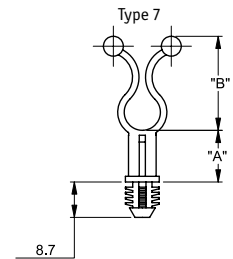
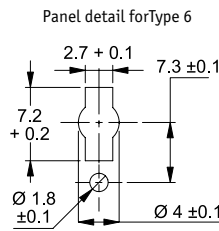
Natural UL94 V0 Nylon 6/6 RMS-19



Bottom Hole: Snap-lock 5.5 square
Panel Thickness: 0.8-2



Bottom Hole: See panel detail Fig. 6
Panel Thickness: 0.8-1.6



Bottom Hole: Press-fit Ø 7.9 ± 0.08
Panel Thickness: 6.4 min.

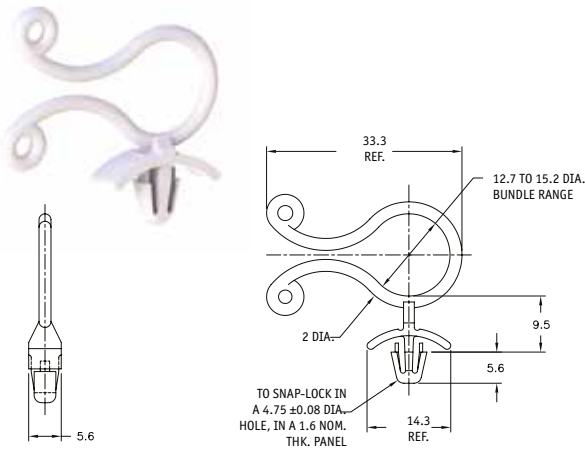
Part Number			Dimensions (mm)			Std Pack Qty
Type 5	Type 6	Type 7	"A"	"B"	Bundle Ø	
STL2-250-4M-19	STL9-250-4M-19	STL3-250-4M-19	4	19.1	5.1-7.6	1000
-	STL9-250-3-19	STL3-250-3-19	4.8	19.1	5.1-7.6	1000
STL2-250-6M-19	STL9-250-6M-19	STL3-250-6M-19	6	19.1	5.1-7.6	1000
STL2-250-8M-19	STL9-250-8M-19	STL3-250-8M-19	8	19.1	5.1-7.6	1000
STL2-250-10M-19	STL9-250-10M-19	STL3-250-10M-19	10	19.1	5.1-7.6	1000
STL2-250-12M-19	STL9-250-12M-19	STL3-250-12M-19	12	19.1	5.1-7.6	1000
STL-2-250-8-19	STL-9-250-8-19	STL-3-250-8-19	12.7	19.1	5.1-7.6	1000
STL-2-250-12-19	STL-9-250-12-19	STL-3-250-12-19	19.1	19.1	5.1-7.6	1000
STL-2-250-16-19	STL-9-250-16-19	STL-3-250-16-19	25.4	19.1	5.1-7.6	1000
STL-2-250-20-19	STL-9-250-20-19	STL-3-250-20-19	31.8	19.1	5.1-7.6	1000
STL2-350-4M-19	STL9-350-4M-19	-	4	23.1	7.6-10.2	1000
STL-2-350-3-19	STL-9-350-3-19	-	4.8	23.1	7.6-10.2	1000
STL2-350-6M-19	STL9-350-6M-19	STL3-350-6M-19	6	23.1	7.6-10.2	1000
STL2-350-8M-19	STL9-350-8M-19	STL3-350-8M-19	8	23.1	7.6-10.2	1000
STL2-350-10M-19	STL9-350-10M-19	STL3-350-10M-19	10	23.1	7.6-10.2	1000
STL2-350-12M-19	STL9-350-12M-19	STL3-350-12M-19	12	23.1	7.6-10.2	1000
STL-2-350-8-19	STL-9-350-8-19	STL-3-350-8-19	12.7	23.1	7.6-10.2	1000
STL-2-350-12-19	STL-9-350-12-19	STL-3-350-12-19	19.1	23.1	7.6-10.2	1000
STL-2-350-16-19	STL-9-350-16-19	STL-3-350-16-19	25.4	23.1	7.6-10.2	1000
STL-2-350-20-19	STL-9-350-20-19	STL-3-350-20-19	31.8	23.1	7.6-10.2	1000
STL2-450-4M-19	STL9-450-4M-19	-	4	27.7	10.2-12.7	1000
STL-2-450-3-19	STL-9-450-3-19	STL-3-450-3-19	4.8	27.7	10.2-12.7	1000
STL2-450-6M-19	STL9-450-6M-19	STL3-450-6M-19	6	27.7	10.2-12.7	1000
STL2-450-8M-19	STL9-450-8M-19	STL3-450-8M-19	8	27.7	10.2-12.7	1000
STL2-450-10M-19	STL9-450-10M-19	STL3-450-10M-19	10	27.7	10.2-12.7	1000
STL2-450-12M-19	STL9-450-12M-19	STL3-450-12M-19	12	27.7	10.2-12.7	1000
STL-2-450-8-19	STL-9-450-8-19	STL-3-450-8-19	12.7	27.7	10.2-12.7	1000
STL-2-450-12-19	STL-9-450-12-19	STL-3-450-12-19	19.1	27.7	10.2-12.7	1000
STL-2-450-16-19	STL-9-450-16-19	STL-3-450-16-19	25.4	27.7	10.2-12.7	1000
STL-2-450-20-19	-	STL-3-450-20-19	31.8	27.7	10.2-12.7	1000
STL2-600-4M-19	STL9-600-4M-19	-	4	32.5	12.7-15.2	1000
STL-2-600-3-19	STL-9-600-3-19	STL-3-600-3-19	4.8	32.5	12.7-15.2	1000
STL2-600-6M-19	STL9-600-6M-19	STL3-600-6M-19	6	32.5	12.7-15.2	1000
STL2-600-8M-19	STL9-600-8M-19	STL3-600-8M-19	8	32.5	12.7-15.2	1000
STL2-600-10M-19	STL9-600-10M-19	STL3-600-10M-19	10	32.5	12.7-15.2	1000
STL2-600-12M-19	STL9-600-12M-19	STL3-600-12M-19	12	32.5	12.7-15.2	1000
STL-2-600-8-19	STL-9-600-8-19	STL-3-600-8-19	12.7	32.5	12.7-15.2	1000
STL-2-600-12-19	STL-9-600-12-19	STL-3-600-12-19	19.1	32.5	12.7-15.2	1000
STL-2-600-16-19	STL-9-600-16-19	STL-3-600-16-19	25.4	32.5	12.7-15.2	1000
STL-2-600-20-19	STL-9-600-20-19	STL-3-600-20-19	31.8	32.5	12.7-15.2	1000
STL2-750-4M-19	-	-	4	36.8	17.8-20.3	1000
STL-2-750-3-19	STL-9-750-3-19	STL-3-750-3-19	4.8	36.8	17.8-20.3	1000
STL2-750-6M-19	STL9-750-6M-19	STL3-750-6M-19	6	36.8	17.8-20.3	1000
STL2-750-8M-19	STL9-750-8M-19	STL3-750-8M-19	8	36.8	17.8-20.3	1000
STL2-750-10M-19	STL9-750-10M-19	STL3-750-10M-19	10	36.8	17.8-20.3	1000
STL2-750-12M-19	STL9-750-12M-19	STL3-750-12M-19	12	36.8	17.8-20.3	1000
STL-2-750-8-19	STL-9-750-8-19	STL-3-750-8-19	12.7	36.8	17.8-20.3	1000
STL-2-750-12-19	STL-9-750-12-19	STL-3-750-12-19	19.1	36.8	17.8-20.3	1000
STL-2-750-16-19	STL-9-750-16-19	STL-3-750-16-19	25.4	36.8	17.8-20.3	1000
STL-2-750-20-19	STL-9-750-20-19	STL-3-750-20-19	31.8	36.8	17.8-20.3	1000

TWIST TIES AND CABLE CLIPS

Side Entry Kurly Lock

SKLO

Natural Nylon 6/6, RMS-01

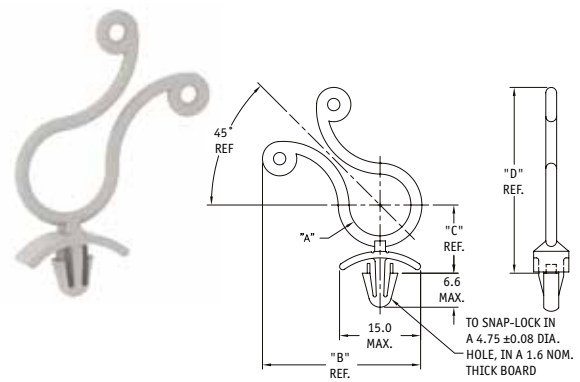


Part Number	Std Pack Qty
SKLO-550-01	1000

45° Kurly Lock

SKL

Natural UL94 V2 Nylon 6/6, RMS-01

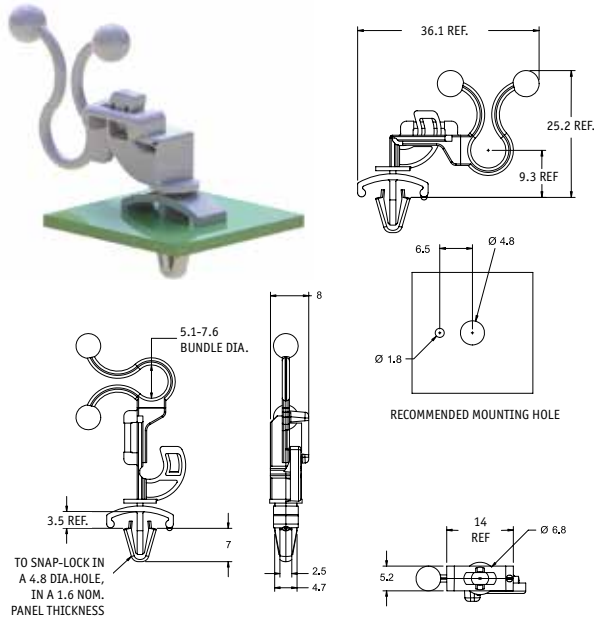


Part Number	Dimensions (mm)				Std Pack Qty
	"A" Bundle Ø Range	"B"	"C"	"D"	
SKL45-250	3.8 - 6.35	24.9	8.5	26.7	1000
SKL45-350	7.6 - 10	27.2	11.0	30.5	1000
SKL45-450	10 - 12	28.4	12.0	33.0	1000

Hinged Twist Lock

TLSE1

Natural UL94 V0 Nylon 6/6, RMS-19

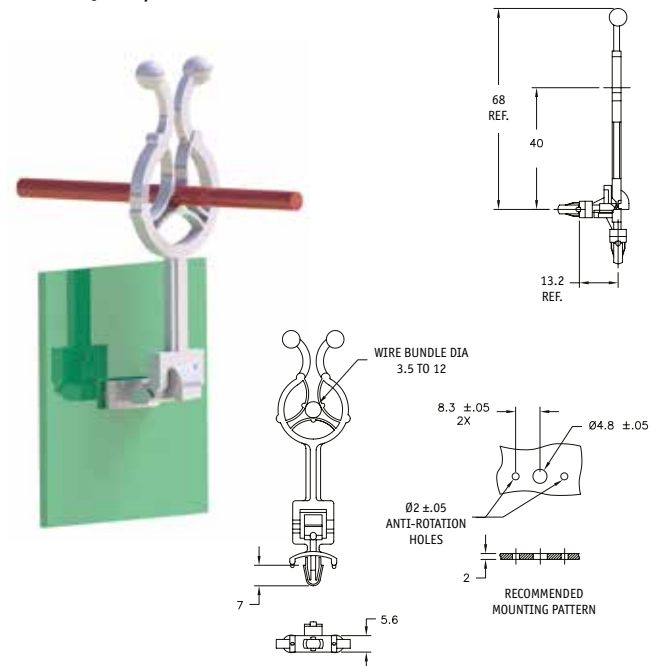


Part Number	Std Pack Qty
TLSE1-250-19	1000

Hinged Twist Lock with Stand-Off

TLHS90

Natural Nylon 6/6, RMS-01

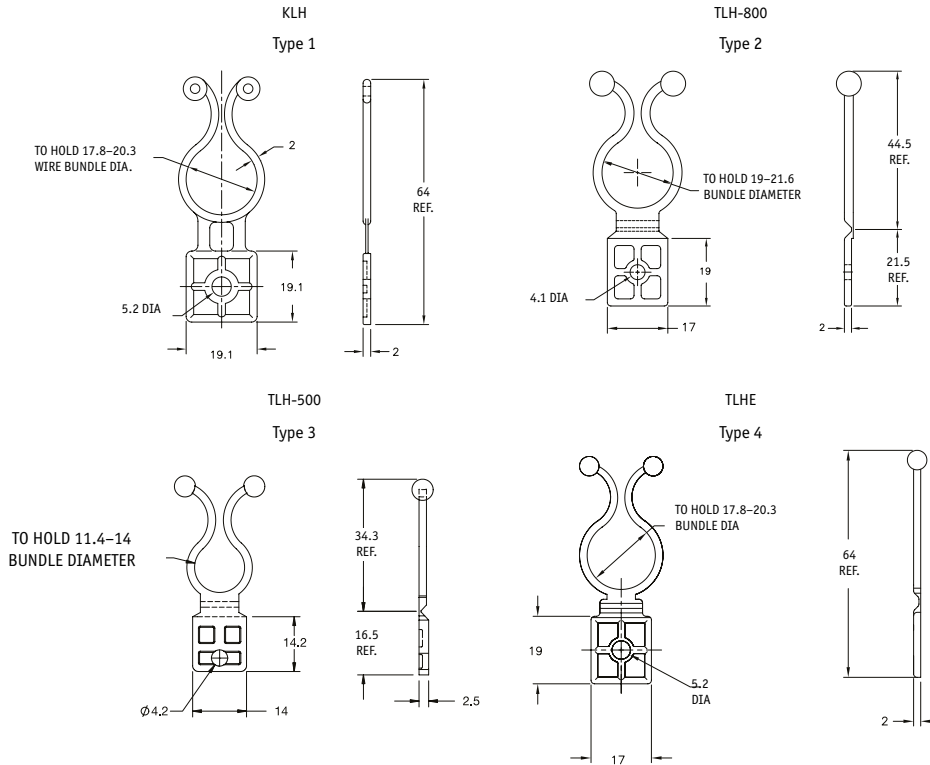


Part Number	Std Pack Qty
TLHS90-300-01	500

Screw Mount Twist Locks

KLH/TLH/TLHE

Natural UL94 V2 Nylon 6/6, RMS-01



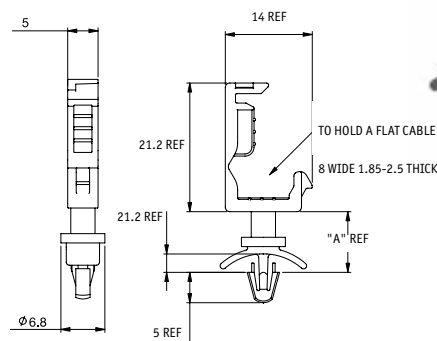
Part Number	Recommended Screw Size	Type	Std Pack Qty
KLH-750-01	M4	1	1000
TLH-800-01	M3	2	1000
TLH-500-01	M4	3	1000
TLHE-1-750-01	M4	4	1000

Flat Cable Wire Saddle

FCWSS

Black

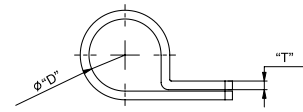
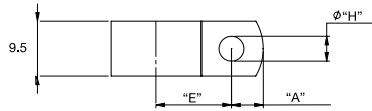
Part Number	Dimensions (mm)	Std Pack Qty			
			"A"	Panel Hole Ø	Panel Thickness
Nylon 6/6, RMS-01	UL94 V0 Nylon 6/6, RMS-19				
FCWSS-1-01BK	FCWSS-1-19BK	4, 8	4	0.8 - 1.6	1000
FCWSS-2-01BK	-	10	4	0.8 - 1.6	1000



TWIST TIES AND CABLE CLIPS

Cable Clamp

N



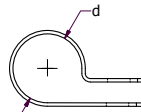
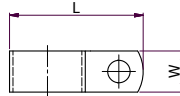
Part Number			Dimensions (mm)					Std Pack Qty
UL94 V2 Nylon 6/6, RMS-01		UL94 V0 Nylon 6/6, RMS-19	"D" Holding \emptyset	"H" Hole \emptyset	"E" Ref.	"T" Ref.	"A" Ref.	
Natural	Black	Natural	1.6	3.2	6.7	1.1	5.5	1000
N-1	N-1-BK	N-1-19	3.2	4.4	9.2	1.4	4.8	1000
N-2E	N-2E-BK	N-2E-19	4.8	4.4	10.0	1.3	5.5	1000
N-3E	N-3E-BK	N-3E-19	5.6	4.4	10.5	1.4	5.5	1000
N-4E	N-4E-BK	N-4E-19	7.2	4.4	10.5	1.4	6.6	1000
N-5E	N-5E-BK	N-5E-19	10.0	4.4	12.3	1.4	6.0	1000
N-6E	N-6E-BK	N-6E-19	11.1	4.4	12.0	1.5	6.0	1000
N-7E	N-7E-BK	N-7E-19	12.5	4.4	13.0	1.5	5.5	1000
N-8E	N-8E-BK	-						

P Clips

SR 1790

Nylon 6.6

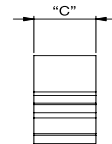
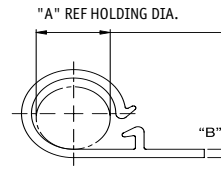
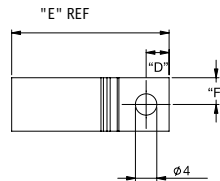
- Easy to install
- Ideal for holding cables, tubes and pipes
- Flammability rating UL94 V2
- Screw fixing hole diameter 4.6 mm



Part Number		Max Cable Dia. (mm)	Dimensions (mm)		Std Pack Qty
Natural	Black		L	W	
460275	468552	3.20	19.8	9.60	100
460276	468553	4.80	19.8	9.60	100
460277	468554	6.35	22.0	10.0	100
460278	468555	7.90	20.0	10.0	100
460279	468556	9.50	24.0	12.0	100
460280	468557	12.70	31.0	12.0	100
460281	468558	15.80	34.3	12.0	100
460282	468559	19.40	35.0	12.0	100
460283	468560	25.40	43.0	12.0	100
460284	468561	27.50	50.0	12.0	100
460285	468562	31.80	46.2	12.0	100
460286	468563	36.70	50.0	12.0	100

Wire Harness Clamp

EXWHC



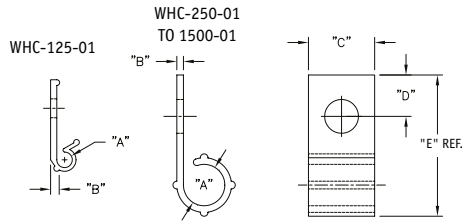
Part Number		Dimensions (mm)							Colour	Std Pack Qty
Nylon 6/6, RMS-01	UL94 V0 Nylon 6/6, RMS-19	"A" Holding \emptyset	"B"	"C"	"D"	"E"	"F"			
EXWHC2-250-01*	EXWHC2-250-19*	6.35	1	10	6	21	5	Natural	1000	
EXWHC2-500-01	EXWHC2-500-19	12.7	1.6	10	4.7	30	5	Natural	1000	
EXWHC2-750-01	EXWHC2-750-19	18	1.8	12.7	4.7	35	6.35	Natural	1000	
EXWHC2-250-01BK*	-	6.35	1	10	6	21	5	Black	1000	
EXWHC2-500-01BK	-	12.7	1.6	10	4.7	30	5	Black	1000	
EXWHC2-750-01BK	-	18	1.8	12.7	4.7	35	6.35	Black	1000	

* Is not provided with latch feature

Wire Harness Clamp

WHC

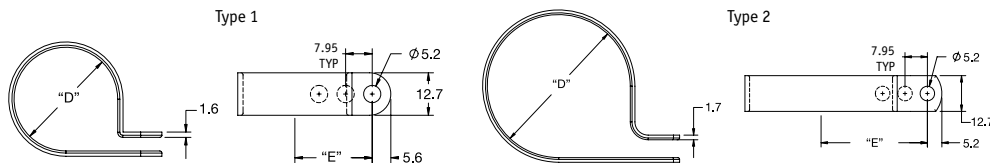
Natural



Part Number		Dimensions (mm)					Std Pack Qty
Nylon 6/6, RMS-01	UL94 V0 Nylon 6/6, RMS-19	"A" Ø	"B"	"C"	"D"	"E"	
WHC-125-01	WHC-125-19	3.2	1.3	8.4	5.8	19.1	1000
WHC-250-01	WHC-250-19	6.4	1.0	10.2	6.4	21.1	1000
WHC-375-01	WHC-375-19	9.5	1.3	10.2	4.8	21.1	1000
WHC-500-01	WHC-500-19	12.7	1.8	10.2	6.4	29.4	1000
WHC-625-01	WHC-625-19	15.9	2.0	12.7	4.8	28.6	1000
WHC-750-01	WHC-750-19	19.1	2.2	12.7	4.8	32.5	1000
WHC-1000-01	WHC-1000-19	25.4	2.2	12.7	4.8	38.9	500
WHC-1500-01	WHC-1500-19	38.1	2.5	12.7	4.8	53.9	500

Adjustable Nylon Cable Clamp

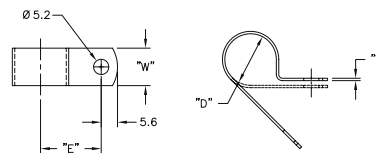
N-20B to N-32B



Part Number		Type Number	Dimensions (mm)			Std Pack Qty	
Natural UL94 V2 Nylon 6/6, RMS-01	Black UL94 V2 Nylon 6/6, RMS-01		"E"	"D" Holding Ø			
				Inside Hole	Center Hole	Outside Hole	
N-20B	N-20B-BK	1	23.0	25.4	28.6	30.2	500
N-24B	N-24B-BK	1	26.2	31.8	34.9	37.3	500
N-32B	N-32B-BK	2	36.9	44.5	47.6	50.8	500

Aluminium Clamp/Aluminium Clamp with Vinyl Coating

AL/NE



Part Number		Dimensions (mm)				Std Pack Qty
Aluminium Alloy, 5052 H-32, RMS-194	Aluminium Alloy, 5052 H-32, RMS-199, Coating: Black PVC, RMS-118	"D" Holding Ø	"E"	"T"	"W"	
AL2	-	3.2	11.7	0.8	9.5	1000
AL3	NE3	4.8	12.7	0.8	9.5	1000
AL4	NE4	6.4	13.5	0.8	9.5	1000
AL5	NE5	7.9	14.2	0.8	9.5	1000
AL6	NE6	9.5	15	0.8	9.5	1000
AL7	NE7	11.1	15.7	0.8	9.5	1000
AL8	NE8	12.7	16.5	0.8	9.5	1000
AL9	NE9	14.3	19.1	0.8	9.5	1000
AL10	NE10	15.9	19.8	0.8	9.5	1000
AL11*	NE11	17.5	20.6	1.6	12.7	500
AL12*	NE12	19.1	21.3	1.6	12.7	500
AL14*	NE14	22.2	22.9	1.6	12.7	500
AL16*	NE16	25.4	24.4	1.6	12.7	500
AL18*	NE18	28.6	26.7	1.6	12.7	500
-	NE20	31.8	28.2	1.6	12.7	500

*RMS-199

TWIST TIES AND CABLE CLIPS

Heavy Duty Support Clamp

NM - MS25281

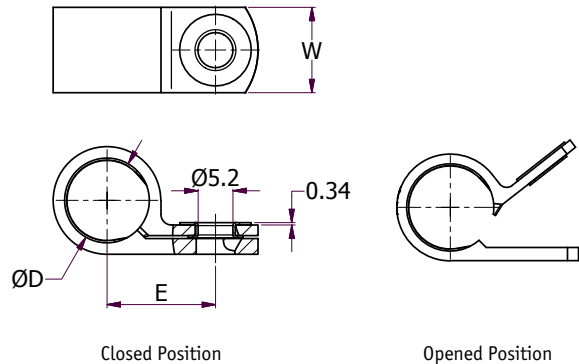
Grey Nylon 6.6

Clamp: Natural UL94 V2 Heat Stabilised Nylon;

conforms to MIL-M-20693/ASTM D-4066

Eyelet: Aluminium anodised in accordance with MIL-A-8625

- Complies with MS-25281
- Strong and durable design built for heavy duty cable applications
- Type 1 has a rib running around the inside of the clamp to grip the bundle
- Type 2 has no rib
- Type 1 is crimped to the top leg
- Type 2's eyelet has legs which protrude all the way through the bottom hole
- Mounted using an M5 screw (recommended)



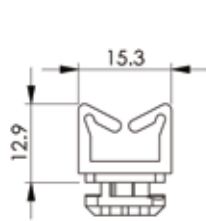
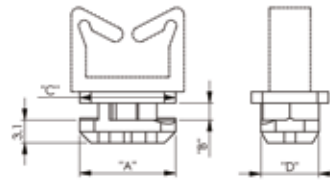
Part Number	MS Part Number	Max Cable Dia (mm) D	Dimensions (mm)		Type	Std Pack Qty
			W	E		
NM-3-R3	MS25281-R3	4.8	12.8	12.3	1	500
NM-4-R4	MS25281-R4	6.4	12.8	13.0	1	500
NM-5-R5	MS25281-R5	7.9	12.8	13.9	1	500
NM-6-R6	MS25281-R6	9.5	12.8	14.7	1	500
NM-7-R7	MS25281-R7	11.1	12.8	15.4	1	500
NM-8-R8	MS25281-R8	12.7	12.8	16.2	1	500
NM-9-R9	MS25281-R9	14.3	12.8	16.8	1	500
NM-10-R10	MS25281-R10	15.9	14.1	17.9	1	500
NM-11-R11	MS25281-R11	17.5	14.1	19.9	1	500
NM-12-R12	MS25281-R12	19.1	14.1	20.7	1	500
NM-13-R13	MS25281-R13	20.6	14.1	21.0	1	500
NM-14-R14	MS25281-R14	22.2	14.1	22.3	1	500
NM-16-R16	MS25281-R16	25.4	14.1	23.9	1	500
NM-18-R18	MS25281-R18	28.6	14.1	25.0	1	500
NM-20-R20	MS25281-R20	31.8	14.1	27.1	1	500
NM-22-R22	MS25281-R22	34.9	14.1	28.2	1	500
NM-24-R24	MS25281-R24	38.1	14.1	29.7	1	500
NM-26-R26	MS25281-R26	41.3	14.1	31.8	1	500
NM-28-R28	MS25281-R28	44.5	14.1	33.0	1	500
NM-3-F3	MS25281-F3	4.8	12.7	12.6	2	500
NM-4-F4	MS25281-F4	6.4	12.7	13.4	2	500
NM-5-F5	MS25281-F5	7.9	12.7	14.2	2	500
NM-6-F6	MS25281-F6	9.5	12.7	15.0	2	500
NM-7-F7	MS25281-F7	11.1	12.7	15.8	2	500
NM-8-F8	MS25281-F8	12.7	12.7	16.6	2	500
NM-10-F10	MS25281-F10	15.9	15.2	19.9	2	500
NM-13-F13	MS25281-F13	20.6	15.2	22.3	2	500

Extruded Metal Rail Cable Clips

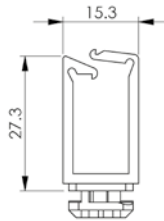
SR 6263

Natural, Glass Reinforced Nylon, UL94-V2

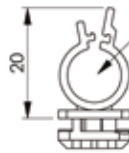
- Several different mounting options
- Pre location for easier mounting
- Available in several channel depths and X rail sizes
- A choice of Twist Locking or Push In installation
- Lightweight



Type 1



Type 2



Type 3

MAX. BUNDLE
Ø8.9mm

MAX. CABLE TIE
WIDTH 3.9MM



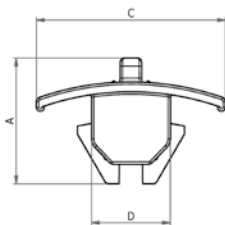
Type 4



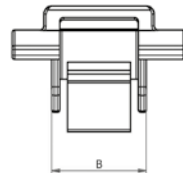
Extruded Rail

Twist Lock

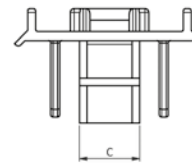
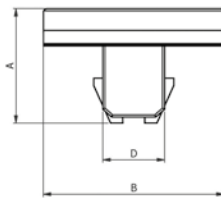
Part Number	Dimensions (mm)				Type	Extruded Rail Sizes	Std Pack Qty
	A	B	C	D			
XRC2-WS101	10	1.6	10	5.8	1	20x20	1000
XRC3-WS101	13	2.3	13	7.9	1	30x30	1000
XRC4-WS101	16	6.15	16	9.8	1	40x40	1000
XRC2-LWS01	10	1.6	10	5.8	2	20x20	1000
XRC3-LWS01	13	2.3	13	7.9	2	30x30	1000
XRC4-LWS01	16	6.15	16	9.8	2	40x40	1000
XRC2-WSLT01	10	1.6	10	5.8	3	20x20	1000
XRC3-WSLT01	13	2.3	13	7.9	3	30x30	1000
XRC4-WSLT01	16	6.15	16	9.8	3	40x40	1000
XRC2-TH01	10	1.6	10	5.8	4	20x20	1000
XRC3-TH01	13	2.3	13	7.9	4	30x30	1000
XRC4-TH01	16	6.15	16	9.8	4	40x40	1000



Type 5



Type 6



Slotted Channel

Push In

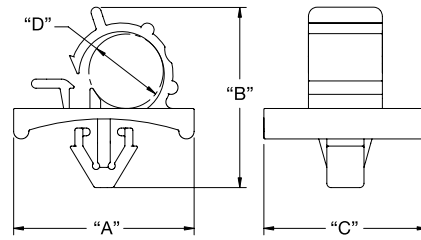
Part Number	Dimensions (mm)				Type	Slotted Rail Size	Std Pack Qty
	A	B	C	D			
500152	15.5	12.0	24.0	10.0	5	M10	100
500153	15.0	24.0	8.0	8.3	6	M8	100

TWIST TIES AND CABLE CLIPS

Plug In Locking Clip

PKKL

Natural UL94 V2 Nylon 6/6, RMS-01



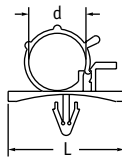
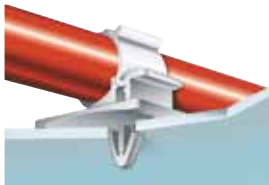
Part Number	Dimensions (mm)						Standard Pack
	"A"	"B"	"C"	Holding Ø "D"	Mounting Hole Ø	Panel Thickness	
PKKL-3	25.9	23.4	17.0	9.5	6.5	0.8 - 1.6	200
PKKL-3S	21.1	21.0	19.1	7.8	6.5	0.8 - 1.6	200
PKKL-4	30.3	32.0	19.4	13.5	6.5	0.8 - 1.6	100

Push-In Cable Clamps

SR 1786

Grey Nylon 6.6

- Easy one-push fit
- One size fits a range of cable diameters
- Flammability rating UL94 V2
- One standard panel hole diameter of 4.8mm

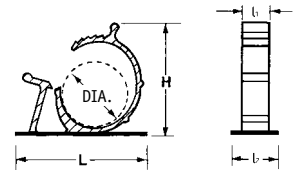


Part Number	Cable Diameter (mm) d	Dimensions (mm)		Std Pack Qty
		L		
460311	6-7	25.0		100
460312	7-8	25.0		100
460313	9-10	30.0		100
460314	12-14	30.0		100
460315	16-18	30.0		100

Cable Clips

SR 1793

Natural Nylon



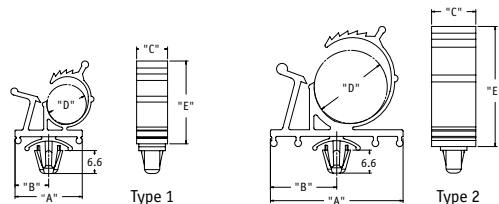
Part Number	Dia Range (mm)	Dimensions (mm)				Std Pack Qty
		L	l2	H	l1	
32543	11.9 - 14.3	37.0	18.3	31.6	12.0	100
32544	7.9 - 10.3	32.0	19.3	28.0	10.5	100
32545	14.7 - 19.1	42.0	25.0	37.0	12.5	100
32546	18.5 - 23.0	41.5	21.5	43.0	11.3	100

All products include a self-adhesive base

Plug In Adjustable Clip

PAKKL

Natural

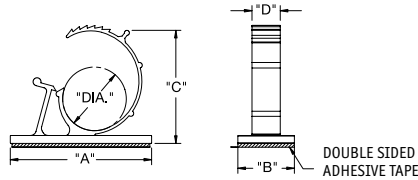


UL94V2, RMS-01	UL94 V0, RMS-19	Type	Dimensions (mm)						Std Pack Qty	
			"A"	"B"	"C"	"D" Holding Ø	"E"	Mounting Hole Ø		Mounting Hole Panel Thickness
PAKKL-3140-01	PAKKL-3140-19	1	19.1	9.7	8.9	7.9 - 10.2	23.8	6.35	0.8 - 1.5	100
PAKKL-4756-01	PAKKL-4756-19	1	31.5	15.7	10.2	11.9 - 14.3	29.8	6.35	0.8 - 1.5	100
PAKKL-5775-01	PAKKL-5775-19	2	38.1	19.1	12.7	14.7 - 19.1	34.5	6.35	0.8 - 1.5	100

Adjustable Kwik Klip

AKKL

Natural



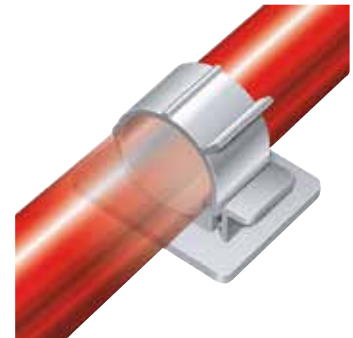
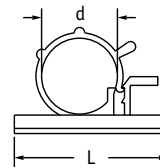
Part Number		Dimensions (mm)				Adhesive	Std Pack Qty	
UL94 V2 Nylon 6/6, RMS-01	UL94 V0 Nylon 6/6, RMS-19	Bundle Ø Range Ref.	"A"	"B"	"C" Ref.			"D"
AKKL-2140A-RT	AKKL-2140A-19	5.5 - 6.5	21.6	16.5	18.0	10.0	RMS-136	100
AKKL-3140A4-RT	AKKL-3140A4-19	7.9 - 10.3	25.4	19.1	22.0	10.2	RMS-324	100
AKKL-4756A4-RT	AKKL-4756A4-19	11.9 - 14.3	31.8	19.1	27.7	10.2	RMS-324	100
AKKL-5775A4-RT	AKKL-5775A4-19	14.7 - 19.1	38.1	19.1	31.8	12.7	RMS-324	100
AKKL-8710A-RT	AKKL-8710A-19	22.2 - 25.4	50.8	25.4	44.5	12.7	RMS-15	100
AKKL-10112A-RT	AKKL-10112A-19	25.4 - 31.7	63.5	25.4	50.8	12.7	RMS-15	100
AKKL-2140-01	AKKL-2140-19	5.5 - 6.5	21.6	16.5	18.0	10.0	No Adhesive	100
AKKL-3140-01	-	7.9 - 10.3	25.4	19.1	22.0	10.2	No Adhesive	100
AKKL-4756-01	-	11.9 - 14.3	31.8	19.1	27.7	10.2	No Adhesive	100
AKKL-5775-01	-	14.7 - 19.1	38.1	19.1	31.8	12.7	No Adhesive	100
AKKL-8710-01	AKKL-8710-19	22.2 - 25.4	50.8	25.4	44.5	12.7	No Adhesive	100
-	AKKL-10112-19	25.4 - 31.7	63.5	25.4	50.8	12.7	No Adhesive	100

Adhesive Cable Clamp

SR 1789

Grey Nylon 6.6

- Flammability rating UL94 V2
- Backed with high-quality adhesive tape



Grey Nylon 6.6

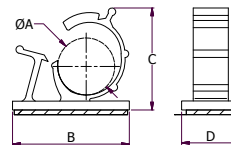
Part Number	Cable Diameter (mm) d	Dimensions (mm)		Std Pack Qty
		L		
460306	6-7	25.0		100
460307	7-8	25.0		100
460308	9-10	30.0		100
460309	12-14	30.0		100
460310	16-18	30.0		100

Side Lock Adhesive Mount Adjustable Clamp

AKKSL

Natural Nylon UL94 V2 Nylon 6/6

- Side locks on top of clamp to prevent clip from sliding open
- Ratcheting clip holds bundle securely in place



Part Number	Dimensions (mm)				Std Pack Qty
	A	B	C	D	
AKKSL-8710A-RT	22.2-25.4	50.8	44.5	25.4	100

HERE ARE JUST A FEW OF OUR NEW PRODUCTS

AUTOMATION & CONTROL

Pages 330-343



HANDLES & KNOBS

Pages 526-599



CABLE MANAGEMENT

Pages 276-329



LOCKS

Pages 344-487



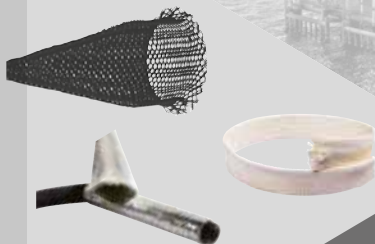
CASTORS

Pages 600-651



HYDRAULICS & PNEUMATICS

Pages 62-83



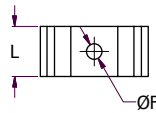
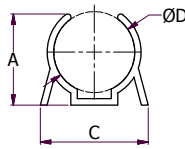
OVER 35,000 PRODUCTS
ONLINE. VISIT OUR WEBSITE!
www.essentracomponents.co.uk

Screw Mount Component Clip

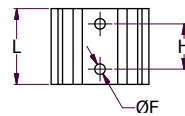
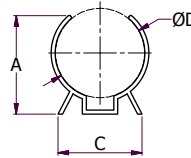
V/VM

Black

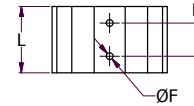
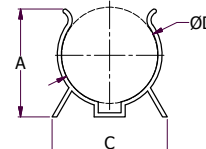
- Legs prevent shifting and tipping
- Mounts securely with screws or rivets
- Holds parts firmly
- VM series have smooth edges which protect the components from wear and abrasion



Type 1



Type 2



Type 3

Part Number		Cable Diameter (mm) D	Mounting Hole Dia (mm) F	Dimensions (mm)				Adjustability	Number of Holes	Type	Std Pack Qty
UL94 V0 PVC	UL94 V0 Nylon 6/6			A	C	H	L				
V-1000	-	6.4	2.4	7.5	12.7	Single hole in centre	12.7	Fixed	1	1	1000
V-1001	-	7.9	2.4	9.1	12.7	Single hole in centre	12.7	Fixed	1	1	1000
V-1002	-	9.5	2.4	10.3	12.7	Single hole in centre	12.7	Fixed	1	1	1000
V-1003	-	11.1	2.4	11.5	13.1	Single hole in centre	12.7	Fixed	1	1	1000
V-1004	-	12.7	2.4	12.7	16.7	Single hole in centre	12.7	Fixed	1	1	1000
V-1005	-	14.3	2.4	15.5	18.3	Single hole in centre	12.7	Fixed	1	1	1000
V-1006	-	15.9	2.4	15.9	21.0	Single hole in centre	12.7	Fixed	1	1	1000
V-1007	-	17.6	4.0	15.9	21.0	Single hole in centre	12.7	Fixed	1	1	1000
V-1008	-	19.7	4.0	19.8	22.6	Single hole in centre	12.7	Fixed	1	1	100
V-1009	-	22.2	4.0	23.0	27.4	Single hole in centre	12.7	Fixed	1	1	100
V-1010	-	25.4	4.0	25.0	28.6	19.1	28.5	Fixed	2	2	100
V-1011	-	34.9	4.0	34.1	31.8	19.1	28.5	Fixed	2	2	100
V-1024	-	38.1	4.0	46.0	36.1	19.1	44.5	Fixed	2	3	100
V-1028	-	44.5	4.0	48.8	38.1	19.1	44.5	Fixed	2	3	100
V-1030	-	2.75-69.9	4.0	61.9	66.3	19.1	38.1	Adjustable	2	3	100
-	VM-1002	9.5	2.8	11.2	13.7	Single hole in centre	12.7	Fixed	1	1	100
-	VM-1004	12.7	2.8	13.2	19.1	Single hole in centre	12.7	Fixed	1	1	100
-	VM-1007	17.5	3.8	19.8	20.8	Single hole in centre	12.7	Fixed	1	1	100
-	VM-1008	19.1	3.8	24.6	24.9	Single hole in centre	12.7	Fixed	1	1	100
-	VM-1010	25.4	3.8	26.1	31.8	19.1	28.4	Fixed	2	2	100
-	VM-1011	34.9	3.8	38.4	34.8	19.1	29.5	Fixed	2	2	100
-	VM-1024	38.1	3.8	42.4	38.1	19.1	43.2	Fixed	2	2	100
-	VM-1030	57.2	3.8	63.5	76.2	19.1	38.6	Fixed	2	3	100

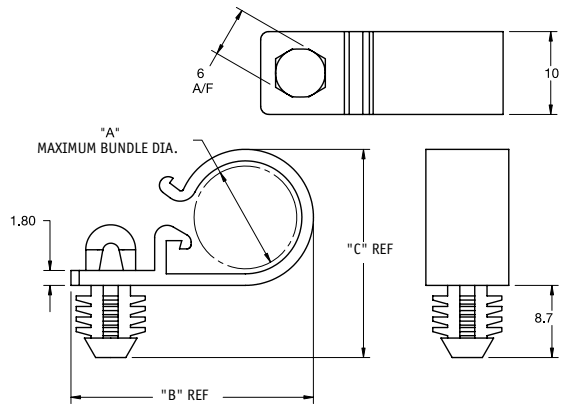
TWIST TIES AND CABLE CLIPS

Blind Hole Mounted Clip

BHLWHC

Natural Nylon 6/6, RMS-01

- Easily pushed into mounting hole using a standard 6mm hexagonal socket pressed onto the mounting head

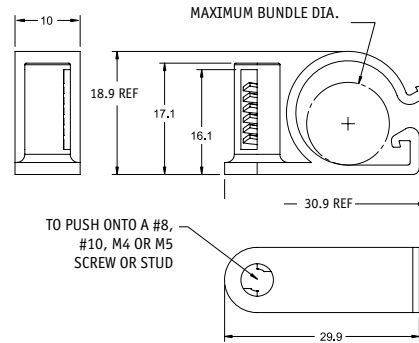


Part Number	Dimensions (mm)					Std Pack Qty
	Max Bundle Ø	Mounting Hole Ø	Dim. "B"	Dim. "C"	Panel Thickness	
BHLWHC-500-01	12.7	7.92 ± 0.05	29.3	25.4	6.35 Min.	1000
BHLWHC-750-01	19.1	7.92 ± 0.05	36.5	34.1	6.35 Min.	1000

Stud Mount Clamp

SMWHC

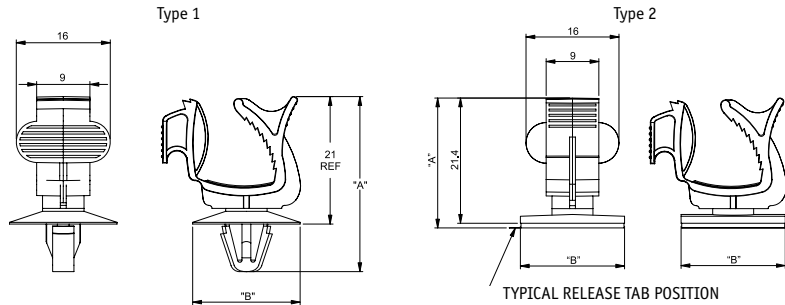
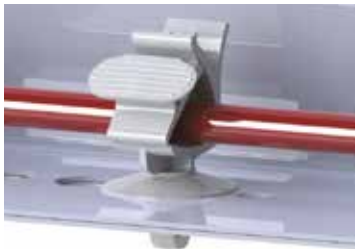
Natural UL94 V-2 Nylon 6/6, RMS-01



Part Number	"A" Max. Holding Ø (mm)	Std Pack Qty
SMWHC-500-01	12.7	500

Webbed Adjustable Clip

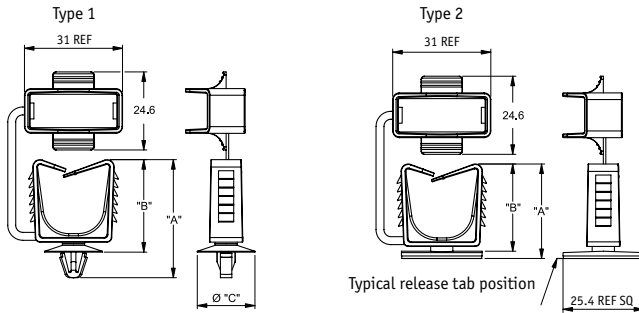
WAC



Part Number		Type	"A" (mm)	"B" (mm)	Mounting Method	Cable Bundle Ø	Std Pack Qty
Natural UL94 V-2 Nylon 6/6, RMS-01	Black UL94 V-2 UV Stabilized Nylon 6/6, RMS-46						
WAC1-01	WAC1-UVB	1	26.5	18.4	Snap lock 4 - 4.8 Ø hole, 0.5 - 1.6 panel thickness	3 - 8.5	1000
WAC2-01	WAC2-UVB	1	29.5	18.4	Snap lock 6 - 6.8 Ø hole, 0.5 - 2.5 panel thickness	3 - 8.5	1000
WAC3-01A4-RT	-	2	22.2	17.8	0.8 Thick double sided adhesive tape, RMS-324	3 - 8.5	1000

Hinged Cable Saddle

HCS

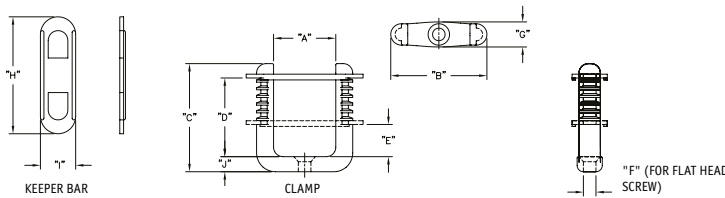


Part Number	Natural UL94 V-2 Nylon 6/6, RMS-01 Black UL94 V-2 UV Stabilized Nylon 6/6, RMS-46	Type	Dimensions (mm)			Mounting Method	Cable Bundle Ø (mm)	Std Pack Qty
			"A"	"B"	"C"			
HCS1-01	-	1	34.0	29.0	16.0	Snap lock 4 - 4.8 Ø hole, 0.4 - 1.6 panel thickness	3 - 16	1000
HCS2-01	HCS2-UVB	1	36.8	28.7	18.2	Snap lock 6 - 6.8 Ø hole, 0.6 - 2.5 panel thickness	3 - 16	1000
HCS3-01A4-RT	-	2	29.5	27.5	-	0.8 Thick double sided adhesive tape, RMS-324	3 - 16	1000

Two-Piece Locking Clamp

D

Natural Nylon 6/6, RMS-01

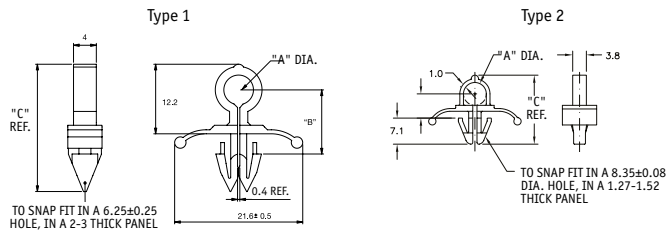


Part Number	Dimensions (mm)										Std Pack Qty
	"A"	"B"	"C"	"D"	"E"	"F"	"G"	"H"	"I"	"J"	
D-1	25.1	38.9	43.7	31.8	12.7	5.1	10.2	47.2	14.2	6	100
D-1.5	37.0	55.3	56.6	41.9	16.8	5.1	11.7	62.7	17.8	7.9	100

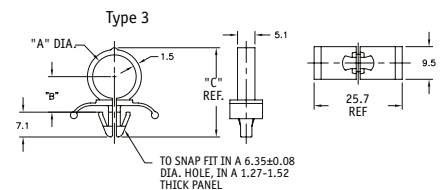
Split Routing Clip

SRC

Natural UL94 V2 Nylon 6/6, RMS-01



Part Number	Type	Dimensions (mm)			Std Pack Qty
		"A" Ø	"B"	"C"	
SRC-1-01	1	5.0	11.2	22.3	1000
SRC-4-01	2	6.4	6.6	19.1	1000
SRC-7-01	3	11.1	9.8	24.7	1000
SRC-8-01	3	12.7	10.8	26.5	1000
SRC-10-01	3	15.9	12.7	29.9	1000

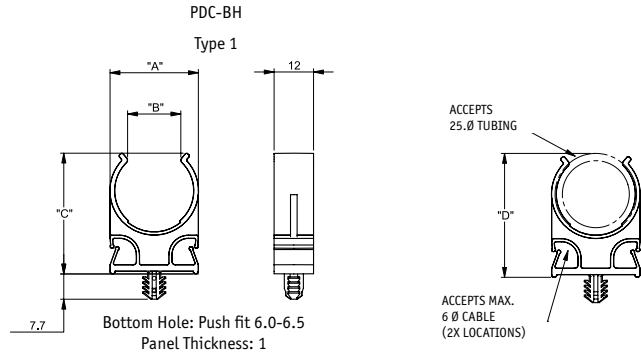


WIRE SADDLES

Dual Cable and Pipe Clip

PDC/PDCBH

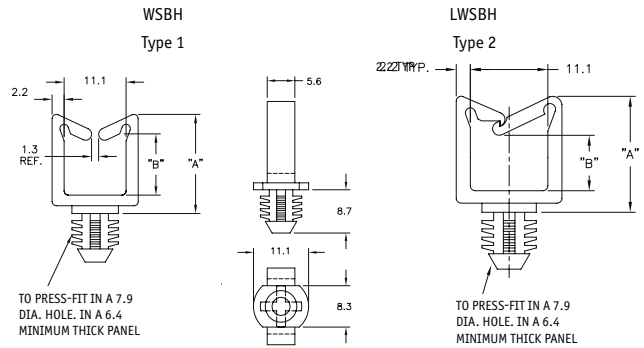
Natural UL94 V2 Nylon 6/6, RMS-01



Part Number	Type	Dimensions (mm)				Std Pack Qty
		"A"	"B"	"C"	"D"	
PDCBH-1-01	1	27	16	36.7	37.7	500

Wire Saddle with Blind Hole Mount

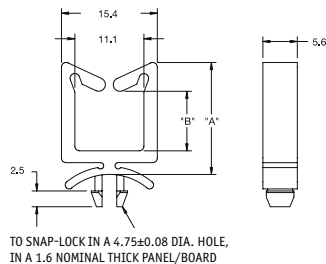
WSBH/LWSBH



Part Number		Type	"A" (mm)	"B" (mm)	Std Pack Qty
UL94 V2 Nylon 6/6, RMS-01	UL94 V0 Nylon 6/6, RMS-19				
WSBH-1-01	WSBH-1-19	1	13.2	4.8	1000
WSBH-2-01	WSBH-2-19	1	18.0	9.7	1000
WSBH-3-01	WSBH-3-19	1	27.2	18.8	1000
WSBH-4-01	WSBH-4-19	1	35.0	26.7	1000
LWSBH-1-01	LWSBH-1-19	2	13.2	3.6	1000
LWSBH-2-01	LWSBH-2-19	2	18.0	8.4	1000
LWSBH-3-01	-	2	27.2	17.5	1000
LWSBH-4-01	LWSBH-4-19	2	35.0	25.4	1000

Wire Saddle

WS



Part Number		"A" (mm)	"B" (mm)	Std Pack Qty
UL94 V2 Nylon 6/6, RMS-01	UL94 V0 Nylon 6/6, RMS-19			
WS-1-01	WS-1-19	13.2	4.8	1000
WS-2-01	WS-2-19	18.0	9.7	1000
WS-3-01	WS-3-19	27.2	18.8	1000
WS-4-01	WS-4-19	35.0	26.7	1000

Push-In Wire Saddles

SR 1783

Natural Nylon 6.6

- Easy one-push fit
- One size fits a range of cable diameters
- Choice of four styles
- Flammability rating UL94-V2

Type 1 (Omega Clip)

Part Number	Mounting Hole (mm)	Dimensions (mm)		Panel Thickness (mm)	Std Pack Qty
		d	H		
460319	6.2	7.5	11.0	2.0	100

Fits 6.2mm panel hole.

Type 3 (Square/Rectangular Locking Wire Saddle)

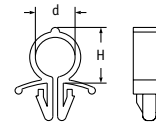
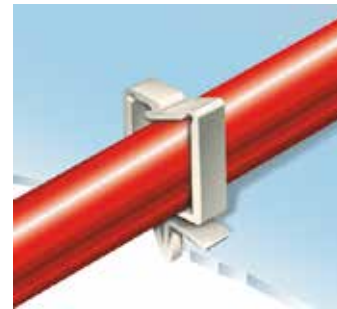
Part Number	Mounting Hole (mm)	Dimensions (mm)			Panel Thickness (mm)	Std Pack Qty
		H	H ₁	H ₂		
460321	4.8	12.7	9.2	2.8	2.0	100
497649	4.8	12.7	9.2	4.0	2.0	500
497636	4.8	17.9	11.4	8.6	2.0	500
460322	4.8	17.9	14.4	8.6	2.0	100
460324	4.8	18.0	15.7	12.5	2.0	100
460323	4.8	26.9	23.4	18.2	2.0	100
497639	4.8	26.9	23.4	18.2	2.0	500
460325	4.8	34.8	31.3	26.2	2.0	100
497650	4.8	34.8	31.3	26.2	2.0	500

All sizes fit 4.8mm panel hole.

Type 4 (Double Routing)

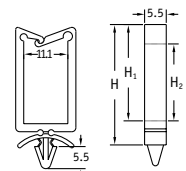
Part Number	Mounting Hole (mm)	Dimensions (mm)		Panel Thickness (mm)	Std Pack Qty
		d	H		
460326	3.2	6.2	7.7	2.0	100

Fits 3.2mm panel hole.



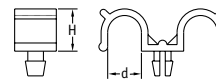
Type 1

- Permanent retention of cable close to fixing point



Type 3

- Range of sizes to accommodate a number of cables or cable sizes



Type 4

- Enables parallel runs of cables close to fixing point

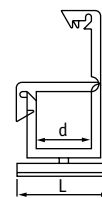
Adhesive Wire Saddles

SR 1784

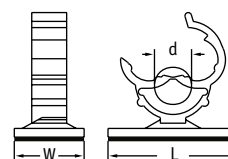
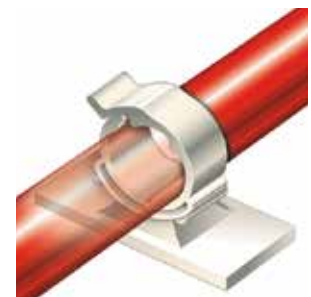
Natural Nylon 6.6

- Strong adhesion for quick and easy installation
- One size fits a range of cable diameters
- Flammability rating UL94-V2

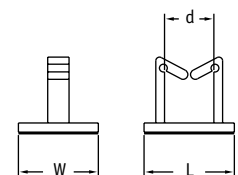
Part Number	Type	Dimensions (mm)			Std Pack Qty
		d	W	L	
460316	1	11.2	19.8	20.0	100
460317	2	8.5	16.0	29.8	100
460318	3	11.3	18.3	20.7	100



Type 1



Type 2



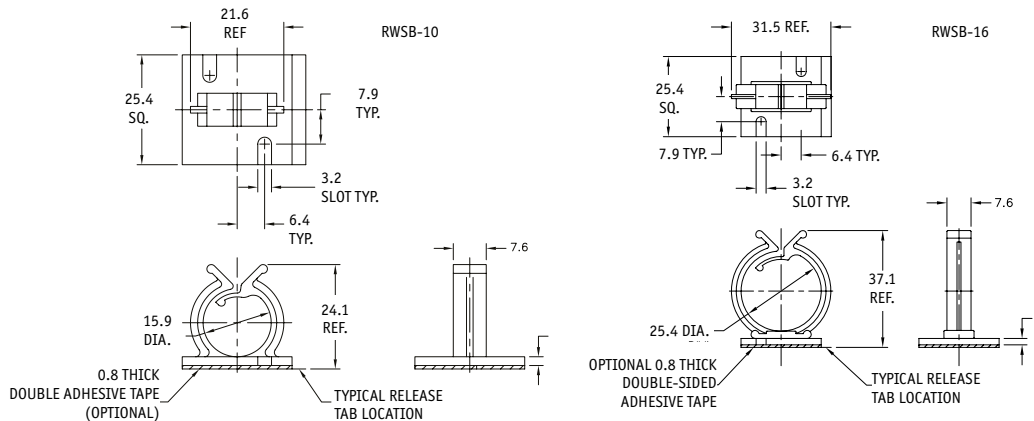
Type 3

WIRE SADDLES

Round Wire Saddle on Base

RWSB

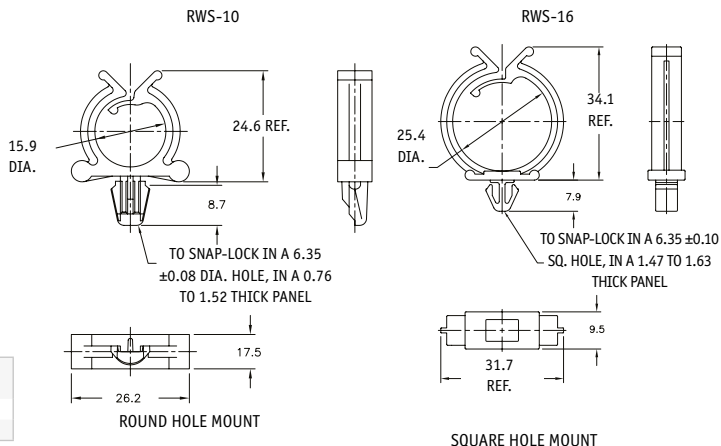
Natural Adhesive Back, RMS-15



RWSB-10		RWSB-16		Material	Std Pack Qty
W/O Tape	With Tape	W/O Tape	With Tape		
RWSB-10-01	RWSB-10-01A-RT	RSWB-16-01	RWSB-16-01A-RT	Nylon 6/6, RMS-01	1000
RWSB-10-19	RWSB-10-19A-RT	RSWB-16-19	RWSB-16-19A-RT	UL94 V-0 Nylon 6/6, RMS-19	1000

Round Wire Saddle

RWS



Natural Nylon 6/6, RMS-01	Black Nylon 6/6, RMS-01	Natural UL94 V0 Nylon 6/6, RMS-19	Std Pack Qty
RWS-10-01	RWS-10-01BK	RWS-10-19	1000
RWS-16-01	RWS-16-01BK	RWS-16-19	1000

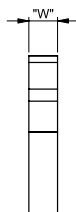
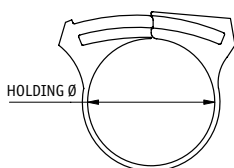
Snap-It Hose Clamp

SHCE

Black Nylon 6/6, RMS-437



Hose clamp is black

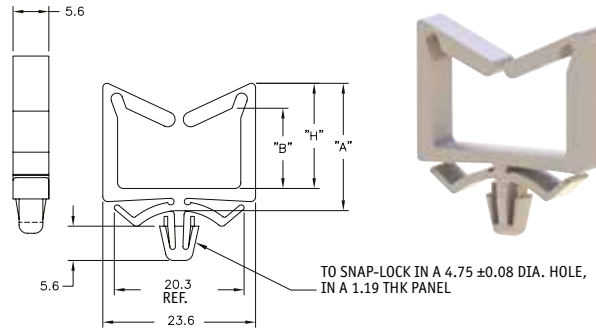


Part Number	Holding Ø	"W"	Std Pack Qty
135010159902	6.6-8	5	100
135010259902	8-9.2	5	100
135010359902	9.2-10.5	5	100
135010459902	10.2-12	6	100
135010559902	12-13.5	6	100
135010659902	12.8-15	7	100
135010759902	15-17.2	7	100
135010859902	17-18.5	7	100
135010959902	18.2-20.5	7	100
135011059902	20.5-23	7	100
135011159902	22-25	7	100
135011259902	25-28	7	100
135011359902	27-30	7.5	100
135011459902	29.5-32.5	7.5	100
135011559902	32.5-35.5	8	100
135011659902	35-38	8	100
135011759902	38-41.5	8	50
135011859902	41-44.5	8	50
135011959902	44-47.5	8	50
135012059902	47-50.5	8	50

Wide Wire Saddle

WWS

UL94 V2 Nylon 6/6, RMS-01	UL94 V0 Nylon 6/6, RMS-19	"A"	"B"	"H"	Std Pack Qty
WWS-A-2-01	WWS-A-2-19	19.6	12.7	16.3	1000
WWS-A-3-01	WWS-A-3-19	28.5	21.6	25.2	1000

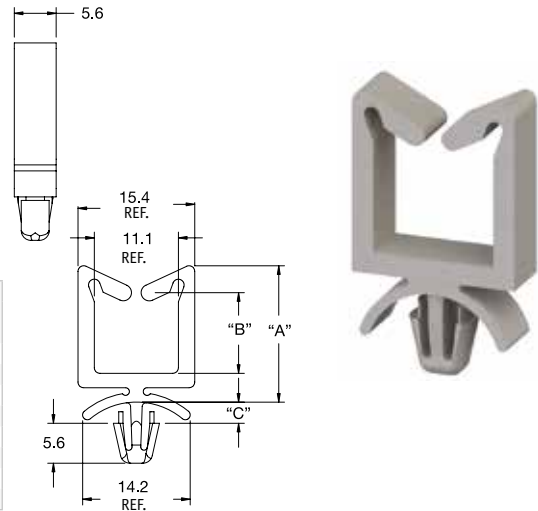


Wire Saddle, Arrowhead Mount

WS-A

Natural

Part Number		"A"	"B"	"C"	Mounting Hole Ø	Panel Thickness	Std Pack Qty
UL94 V2 Nylon 6/6, RMS-01	UL94 V0 Nylon 6/6, RMS-19						
WS-A-1-01	WS-A-1-19	13.2	4.8	2.8	4.75	1.6	1000
WS-A-2-01	WS-A-2-19	18.0	9.7	2.8	4.75	1.6	1000
WS-A-3-01	WS-A-3-19	27.2	18.8	2.8	4.75	1.6	1000
WS-A-4-01	WS-A-4-19	35.0	26.7	2.8	4.75	1.6	1000
WS-A-2-1-01	WS-A-2-1-19	13.2	4.8	3.8	4.75	3.2	1000
WS-A-2-2-01	WS-A-2-2-19	18.0	9.7	3.8	4.75	3.2	1000
WS-A-2-3-01	WS-A-2-3-19	27.2	18.8	3.8	4.75	3.2	1000
WS-A-2-4-01	WS-A-2-4-19	35.0	26.7	3.8	4.75	3.2	1000

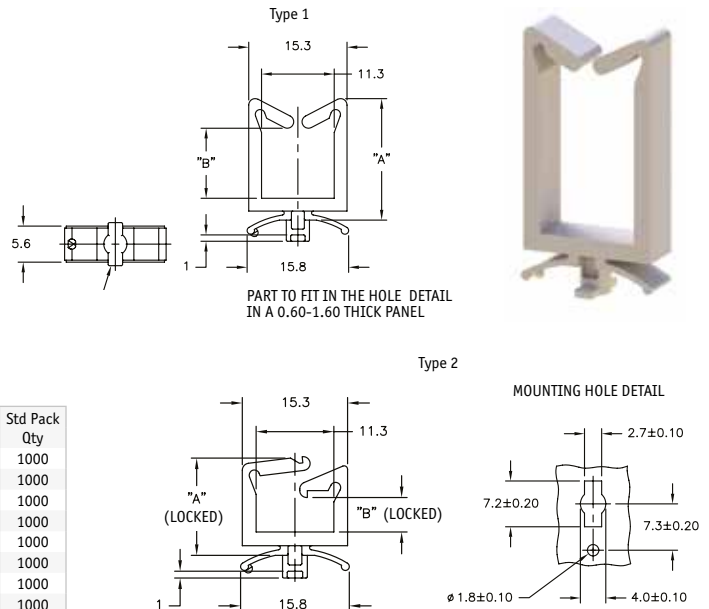


Wire Saddle, Quarter Turn

WS-9/LWS-9

Natural

Part Number		Type	"A" (mm)	"B" (mm)	Std Pack Qty
UL94 V2 Nylon 6/6, RMS-01	UL94 V0 Nylon 6/6, RMS-19				
WS-9-1-01	WS-9-1-19	1	13.0	4.8	1000
WS-9-2-01	WS-9-2-19	1	17.8	10.0	1000
WS-9-3-01	-	1	26.9	19.1	1000
WS-9-4-01	WS-9-4-19	1	34.8	27.2	1000
LWS-9-1-01	-	2	13.0	3.8	1000
LWS-9-2-01	LWS-9-2-19	2	18.0	9.8	1000
LWS-9-3-01	-	2	27.2	19.0	1000
LWS-9-4-01	-	2	35.1	26.8	1000

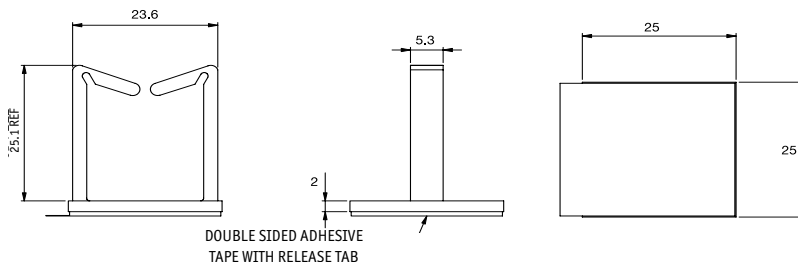


WIRE SADDLES

Wire Saddle on Adhesive Base

WWSB

Natural Nylon 6/6, RMS-148 Double Adhesive Back, RMS-324

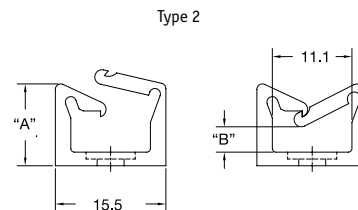
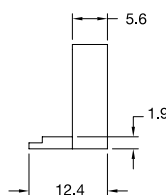
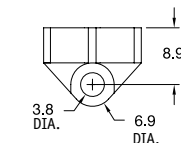
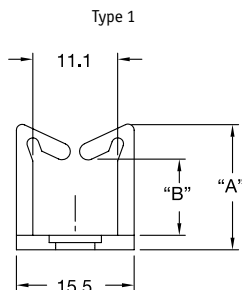


Part Number	Std Pack Qty
WWSB-3-148A-RT	500

Wire Saddle- Snap Rivet Mount

WS-SR/LWS-SR

Natural



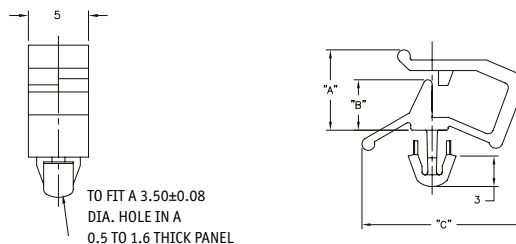
Part Number		Type	Dimensions (mm)			Std Pack Qty
Nylon	UL94 V0 Nylon 6/6, RMS-19		"A"	"B"	Mounting Hole Ø	
6/6, RMS-01	UL94 V0 Nylon 6/6, RMS-19	1	11.4	4.3	3.6 - 3.7	1000
WS-SR-1-01	WS-SR-1-19	1	16.3	9.1	3.6 - 3.7	1000
WS-SR-2-01	WS-SR-2-19	1	25.4	18.5	3.6 - 3.7	1000
WS-SR-3-01	-	1	25.4	18.5	3.6 - 3.7	1000
WS-SR-4-01	WS-SR-4-19	1	33.3	26.4	3.6 - 3.7	1000
LWS-SR-1-01	LWS-SR-1-19	2	11.4	3.6	3.6 - 3.7	1000
LWS-SR-2-01	LWS-SR-2-19	2	16.3	8.6	3.6 - 3.7	1000
LWS-SR-3-01	LWS-SR-3-19	2	25.4	18.3	3.6 - 3.7	1000
-	LWS-SR-4-19	2	33.3	25.4	3.6 - 3.7	1000

Use Richco Rivet Number	For Chassis Thickness Range (mm)	Std Pack Qty
SR-3535	0.3-1.2	1000
SR-3545	1.2-2.1	1000
SR-3550	1.8-2.7	1000
SR-3555	2.1-3	1000
SR-3560	2.8-3.7	1000
SR-3570	3.6-4.6	1000
SR-3580	4.6-5.6	1000

Wire Saddle, Side Entry

WS-SE1

Natural



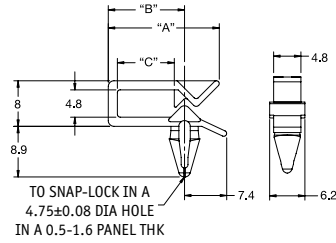
Part Number		Dimensions (mm)			Std Pack Qty
UL94 V2 Nylon 6/6, RMS-01	UL94 V0 Nylon 6/6, RMS-19	"A"	"B"	"C"	
WS-SE1-1-01	WS-SE1-1-19	4.8	2.4	12.7	1000
WS-SE1-2-01	-	6.7	4.2	15.1	1000
WS-SE1-3-01	WS-SE1-3-19	8.5	5.7	20.3	1000

Wire Saddle, Side Entry

WS-SE2

Natural

Part Number		Dimensions (mm)			Std Pack Qty
UL94 V2 Nylon 6/6, RMS-01	UL94 V0 Nylon 6/6, RMS-19	"A"	"B"	"C"	
WS-SE2-1-01	-	16.6	10.5	7.1	1000
WS-SE2-2-01	WS-SE2-2-19	19.5	13.4	10.0	1000

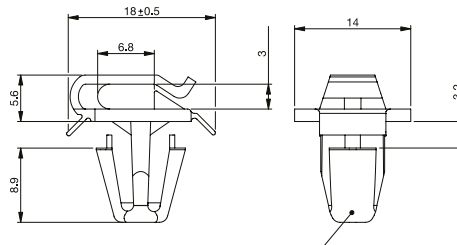


Wire Saddle, Side Entry

WS-SE3

Natural

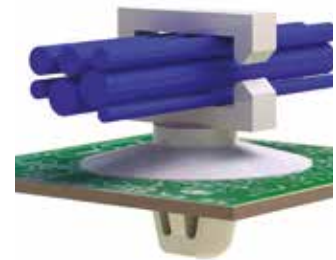
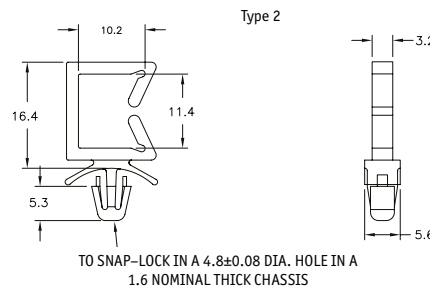
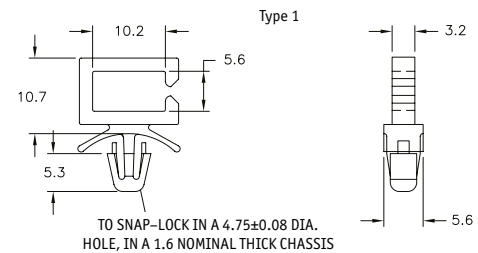
Part Number		Std Pack Qty
UL94 V2 Nylon 6/6, RMS-01	UL94 V0 Nylon 6/6, RMS-19	
WS-SE3-1-01	WS-SE3-1-19	1000



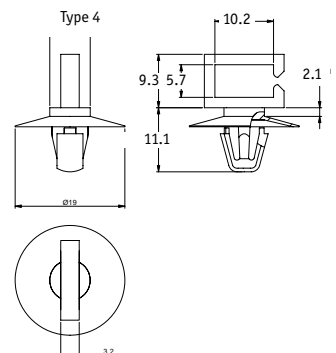
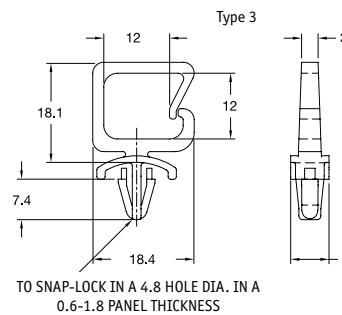
Wire Saddle, Side Entry

WS-SE-A

Natural



Part Number		Type	Std Pack Qty
UL94 V2 Nylon 6/6, RMS-01	UL94 V0 Nylon 6/6, RMS-19		
WS-SE-A-1-01	WS-SE-A-1-19	1	1000
WS-SE-A-2-01	WS-SE-A-2-19	2	1000
WS-SE-A-3-01	WS-SE-A-3-19	3	1000
WS-SE-A-4-01	WS-SE-A-4-19	4	1000

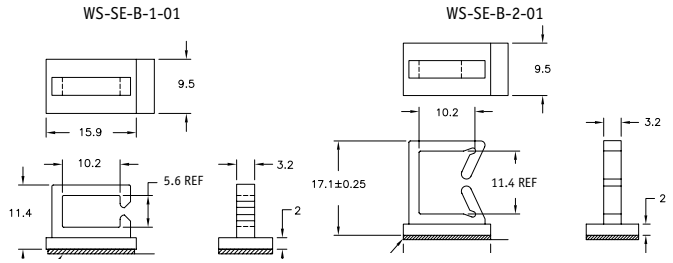


WIRE SADDLES

Side Entry Wire Saddle on Adhesive Base

WS-SE-B

Natural UL94 V2 Nylon 6/6, RMS-01

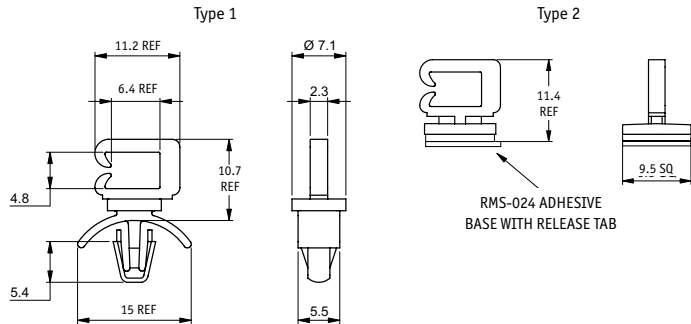
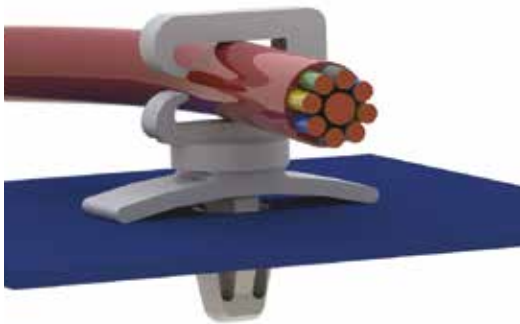


Part Number	Adhesive	Std Pack Qty
WS-SE-B-1-01A	Acrylic, RMS-15	1000
WS-SE-B-2-01A	Acrylic, RMS-15	1000

Wire Saddle - Side Entry

WS-SE-C

Natural UL94 V0 Nylon 6/6, RMS-19



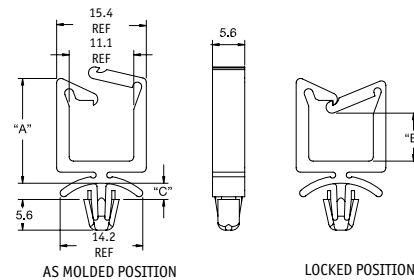
Bottom Hole: Snap-lock 4.8
Panel Thickness: 0.8-2

Part Number	Type	Std Pack Qty
WS-SE-C-1-19	1	1000
WS-SE-C-1-19A	2	1000

Locking Wire Saddle, Arrowhead Mount

LWS-A

Natural

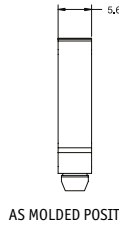


Part Number		Dimensions (mm)						Std Pack Qty
UL94 V2 Nylon 6/6, RMS-01	UL94 V0 Nylon 6/6, RMS-19	"A"	"B"	"C"	Mounting Hole Ø	Panel Thickness		
LWS-A-1-01	LWS-A-1-19	13.2	3.6	2.8	4.75	1.6	1000	
LWS-A-2-01	LWS-A-2-19	18.0	8.4	2.8	4.75	1.6	1000	
LWS-A-3-01	LWS-A-3-19	27.2	17.5	2.8	4.75	1.6	1000	
LWS-A-4-01	LWS-A-4-19	35.0	25.4	2.8	4.75	1.6	1000	
LWS-A-2-1-01	LWS-A-2-1-19	13.2	3.6	3.8	4.75	3.2	1000	
LWS-A-2-2-01	LWS-A-2-2-19	18.0	8.4	3.8	4.75	3.2	1000	
LWS-A-2-3-01	LWS-A-2-3-19	27.2	17.5	3.8	4.75	3.2	1000	
LWS-A-2-4-01	LWS-A-2-4-19	35.0	25.4	3.8	4.75	3.2	1000	

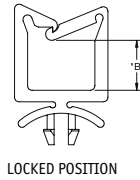
Locking Wire Saddle

LWS

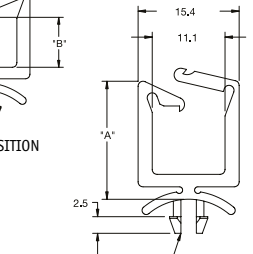
Natural



AS MOLDED POSITION



LOCKED POSITION



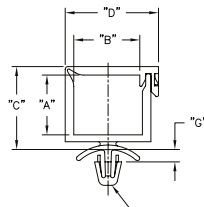
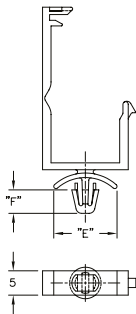
TO SNAP-LOCK IN A 4.75±0.08 DIA. HOLE, IN A 1.6 NOMINAL THICK PANEL/BOARD



Part Number		"A" (mm)	"B" (mm)	Std Pack Qty
UL94 V2 Nylon 6/6, RMS-01	UL94 V0 Nylon 6/6, RMS-19			
LWS-1-01	LWS-1-19	13.2	3.6	1000
LWS-2-01	LWS-2-19	18.0	8.4	1000
LWS-3-01	LWS-3-19	27.2	17.5	1000
LWS-4-01	LWS-4-19	35.0	25.4	1000

Wire Saddle, Locking Top

WSLT



TO SNAP-LOCK INTO INDICATED DIA. HOLE, AND IN A 1.57 NOMINAL THICK BOARD

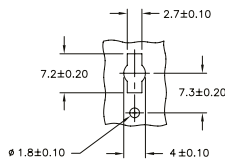


Natural Nylon 6/6, RMS-01	Natural UL94 V0 Nylon 6/6, RMS-19	Dimensions (mm)								Hole $\varnothing \pm 0.08$	Std Pack Qty
		"A"	"B"	"C"	"D"	"E"	"F"	"G"			
WSLT-3.5-2-1-01	WSLT-3.5-2-1-19	3.4	13.5	8.9	19.6	9.5	3.0	2.5	3.5	1000	
WSLT-02-1-01	WSLT-02-1-19	3.4	13.5	9.4	19.6	14.3	5.6	2.8	4.75	1000	
WSLT-01A-01	WSLT-01A-19	4.8	10.7	10.6	16.8	14.3	5.6	2.8	4.75	1000	
WSLT-01-2-01	WSLT-01-2-19	8.8	10.7	14.6	16.8	14.3	5.6	2.8	4.75	1000	
WSLT-02A-01	WSLT-02A-19	10.0	16.3	15.8	22.4	14.3	5.6	2.8	4.75	1000	
WSLT-03-2-01	WSLT-03-2-19	14.1	16.3	19.6	22.4	14.3	5.6	2.8	4.75	1000	
WSLT-03-3-01	WSLT-03-3-19	21.7	18.0	27.3	24.1	14.3	5.6	2.8	4.75	1000	

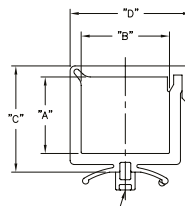
Wire Saddle, Locking Top Quarter-Turn Base

WSLT-9

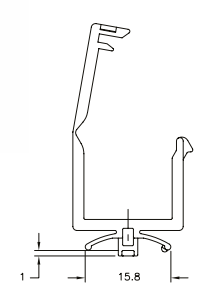
MOUNTING HOLE DETAIL



Part Number		Dimensions (mm)				Std Pack Qty
Natural Nylon 6/6, RMS-01	Natural UL94 V0 Nylon 6/6, RMS-19	"A"	"B"	"C"	"D"	
WSLT-9-01A-01	WSLT-9-01A-19	4.8	10.7	10.2	16.8	1000
WSLT-9-01-2-01	WSLT-9-01-2-19	9.1	10.7	14.4	16.8	1000
-	WSLT-9-02-1-19	3.6	13.5	9.1	19.6	1000
WSLT-9-02A-1-01	WSLT-9-02A-1-19	10	16.3	15.2	22.4	1000
WSLT-9-03-2-01	WSLT-9-03-2-19	14.1	16.3	19.2	22.4	1000
WSLT-9-03-3-01	-	21.7	18	26.8	24.1	1000



PART TO FIT THE HOLE DETAIL 0.80-1.60 PANEL THICK

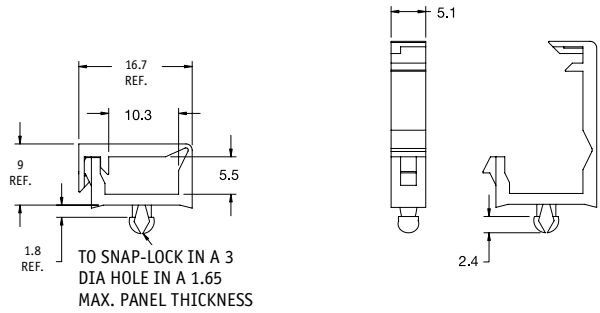


WIRE SADDLES

Wire Saddle Locking Top Teardrop

WSLT-T

Natural UL94 V0 Nylon 6/6, RMS-19



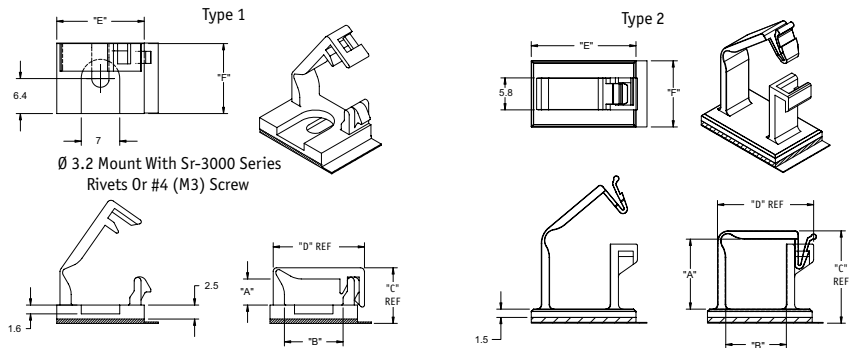
Part Number WSLT-T-01A-19	Std Pack Qty 1000
------------------------------	----------------------

Wire Saddle Locking Top on Base

WSLTB

Natural UL94 V0 Nylon, 6/6, RMS-19;

Adhesive back, RMS-15

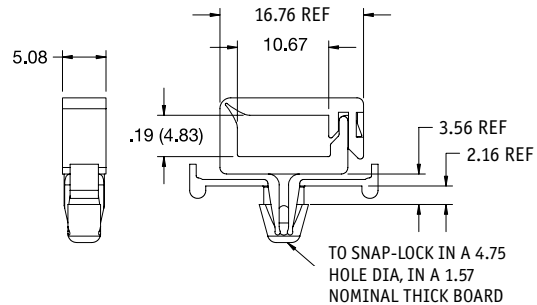


Part Number	Type	Dimensions (mm)						Mounting Method	Std Pack Qty
		"A"	"B"	"C"	"D"	"E"	"F"		
WSLTB-01A-19A	1	4.8	10.7	10.4	16.8	16.0	12.7	Acrylic Adhesive, RMS-15	1000
WSLTB-01A-19	1	4.8	10.7	9.6	16.8	16.0	12.7	Any *SR-3XXX rivet or #4 or M3 screw	1000
WSLTB-02A-19A	1	10.0	16.3	15.5	22.4	21.5	12.7	Acrylic Adhesive, RMS-15	1000
WSLTB-02A-19	1	10.0	16.3	14.7	22.4	21.5	12.7	Any *SR-3XXX rivet or #4 or M3 screw	1000
WSLTB-03A-19A	2	12.7	11.0	16.8	17.5	19.0	12.0	Acrylic Adhesive	1000

Wire Saddle with Releasable Arrowhead

WSLTRA-1-01

Natural Nylon 6/6, RMS-01

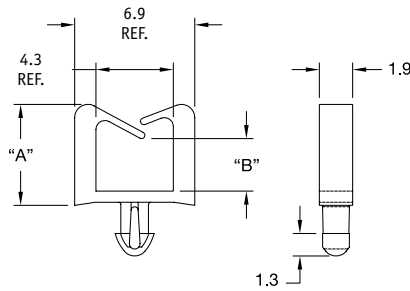


Part Number WSLTRA-1-01	Std Pack Qty 1000
----------------------------	----------------------

Micro Wire Saddle

MWS

Natural

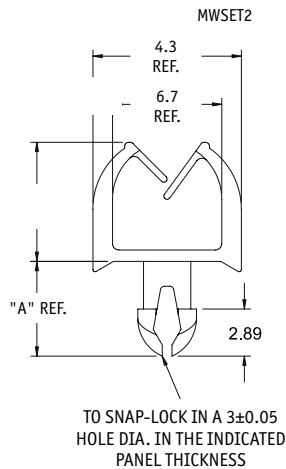
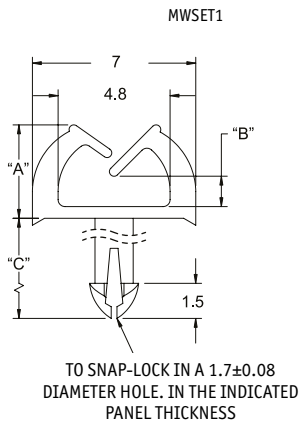


Part Number		Dimensions (mm)					Std Pack Qty
UL94 V2 Nylon 6/6, RMS-01	UL94 V0 Nylon 6/6, RMS-19	"A"	"B"	Mounting Hole Ø	Panel Thickness		
MWS-1-01	MWS-1-19	5.8	3.0	1.75	1.57	1000	
MWS1-1-01	MWS1-1-19	5.8	3.0	1.75	2.36	1000	
-	MWS-2-19	11.2	8.5	1.75	1.60	1000	
-	MWS-3-19	11.2	8.5	1.75	2.20	1000	

Micro Wire Saddle

MWSET

Natural



Part Number		Dimensions (mm)					Std Pack Qty
Nylon 6/6, RMS-01	UL94 V0 Nylon, 6/6, RMS-19	"A"	"B"	"C"	Panel Thickness		
MWSET1-1-01	MWSET1-1-19	4	0.9	3.3	1.6	1000	
MWSET1-2-01	MWSET1-2-19	6	2.9	3.3	1.6	1000	
MWSET1-1-1-01	MWSET1-1-1-19	4	0.9	4.1	2.4	1000	
MWSET1-2-1-01	MWSET1-2-1-19	6	2.9	4.1	2.4	1000	

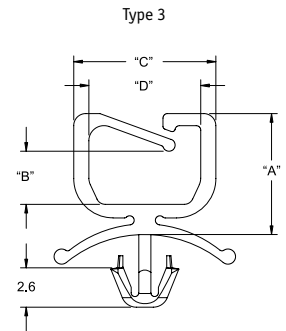
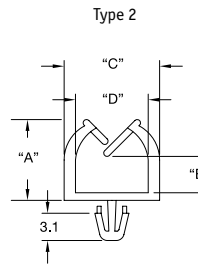
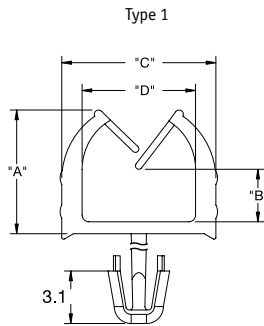
Part Number		Dimensions (mm)			Std Pack Qty
Nylon 6/6, RMS-01	UL94 V0 Nylon, 6/6, RMS-19	"A"	Panel Thickness		
MWSET2-1-01	MWSET2-1-19	4.29	1-1.2	1000	
MWSET2-2-01	MWSET2-2-19	4.79	1.2-1.6	1000	

WIRE SADDLES

Micro Wire Saddle

MWSEA

Natural

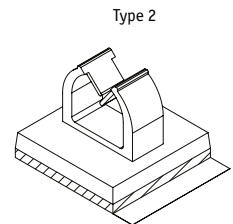
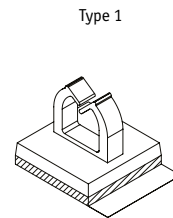
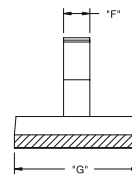
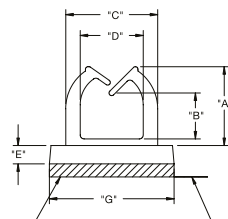


Part Number		Type	Dimensions (mm)						Std Pack Qty
Nylon 6/6, RMS-01	UL94 V0 Nylon, 6/6, RMS-19		Hole Ø	Panel Thickness	"A"	"B"	"C"	"D"	
MWSEA1-1-01	MWSEA1-1-19	1	3	1.6	7.3	3.0	9.1	6.6	1000
MWSEA2-1-01	MWSEA2-1-19	1	3.5	1.6	7.3	3.0	9.1	6.6	1000
MWSEA1-1-1-01	MWSEA1-1-1-19	1	3.0	2.4	7.3	3.0	9.1	6.6	1000
MWSEA2-1-1-01	MWSEA2-1-1-19	1	3.5	2.4	7.3	3.0	9.1	6.6	1000
MWSEA1-2-01	MWSEA1-2-19	1	3.0	1.6	9.1	3.9	10.8	8.1	1000
MWSEA2-2-01	MWSEA2-2-19	1	3.5	1.6	9.1	3.9	10.8	8.1	1000
MWSEA1-1-2-01	MWSEA1-1-2-19	1	3.0	2.4	9.1	3.9	10.8	8.1	1000
MWSEA2-1-2-01	MWSEA2-1-2-19	1	3.5	2.4	9.1	3.9	10.8	8.1	1000
MWSEA1-3-01	MWSEA1-3-19	1	3.0	1.6	11.2	6.0	12.0	9.1	1000
MWSEA2-3-01	MWSEA2-3-19	1	3.5	1.6	11.2	6.0	12.0	9.1	1000
MWSEA1-1-3-01	MWSEA1-1-3-19	1	3.0	2.4	11.2	6.0	12.0	9.1	1000
MWSEA2-1-3-01	MWSEA2-1-3-19	1	3.5	2.4	11.2	6.0	12.0	9.1	1000
MWSEA1-4-01	MWSEA1-4-19	1	3.0	1.6	13.0	7.7	12.0	9.1	1000
MWSEA2-4-01	MWSEA2-4-19	1	3.5	1.6	13.0	7.7	12.0	9.1	1000
MWSEA1-1-4-01	MWSEA1-1-4-19	1	3.0	2.4	13.0	7.7	12.0	9.1	1000
MWSEA2-1-4-01	MWSEA2-1-4-19	1	3.5	2.4	13.0	7.7	12.0	9.1	1000
MWSEA3-2-01	MWSEA3-2-19	2	3.5	1.6	9.1	3.9	10.8	8.1	1000
MWSEA4-1-01	MWSEA4-1-19	3	3.5	0.6-1.6	8.0	3.5	9.4	7.4	1000

Micro Wire Saddle on Adhesive Base

MWSEB

Natural



0.8 THICK
DOUBLE ADHESIVE TAPE

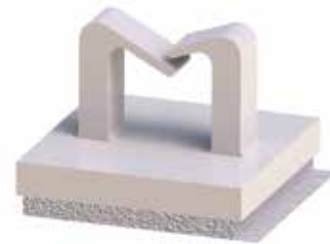
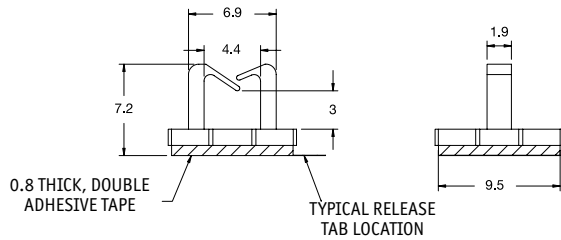
TYPICAL RELEASE
TAB LOCATION

Part Number		Type	Dimensions (mm)							Adhesive Material	Std Pack Qty
Nylon 6/6, RMS-01	UL94 V0 Nylon 6/6, RMS-19		"A"	"B"	"C"	"D"	"E"	"F"	"G"		
MWSEB-1-01A2-RT	MWSEB-1-19A2-RT	1	4.0	1.3	7.0	4.8	1.6	2.0	9.5	RMS-24	1000
MWSEB-2-01A2-RT	MWSEB-2-19A2-RT	1	6.0	3.3	7.0	4.8	1.6	2.0	9.5	RMS-24	1000
MWSEB-3-01A2-RT	MWSEB-3-19A2-RT	2	7.3	3.0	9.0	6.6	2.0	4.0	12.7	RMS-24	1000
MWSEB-4-01A2-RT	MWSEB-4-19A2-RT	2	9.2	4.8	10.8	8.0	2.0	4.0	12.7	RMS-24	1000
MWSEB-5-01A2-RT	MWSEB-5-19A2-RT	2	11.2	5.8	11.9	9.1	2.0	4.0	12.7	RMS-24	1000
MWSEB-6-01A2-RT	MWSEB-6-19A2-RT	2	13.0	8.4	12.0	9.1	2.0	4.0	12.7	RMS-24	1000

Micro Wire Saddle on Adhesive Base

MWSB

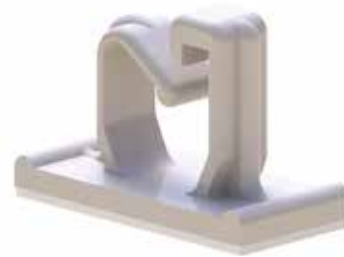
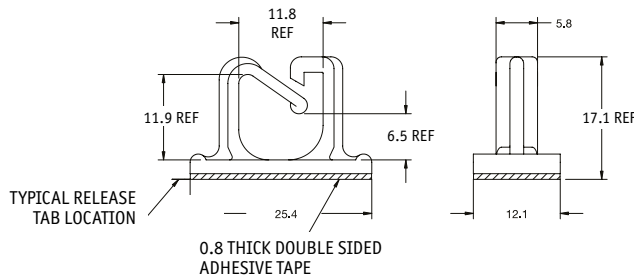
Adhesive Back: RMS-24



Part Number		Std Pack Qty
Natural Nylon 6/6, RMS-01	Natural UL94 V-0 Nylon 6/6, RMS-19	
MWSB-1-01A2-RT	MWSB-1-19A2-RT	1000

Wire Saddle on Adhesive Base

WSB-2

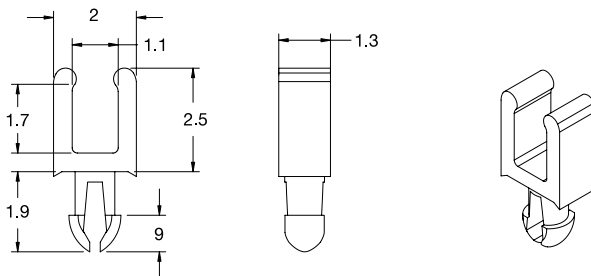


Part Number		Std Pack Qty
Nylon 6/6, RMS-01	UL94 V0 Nylon 6/6, RMS-19	
WSB-2-01A4-RT	WSB-2-19A4-RT	1000

Pico Wire Saddle

PWS

Natural UL94 V0 Nylon 6/6, RMS-104

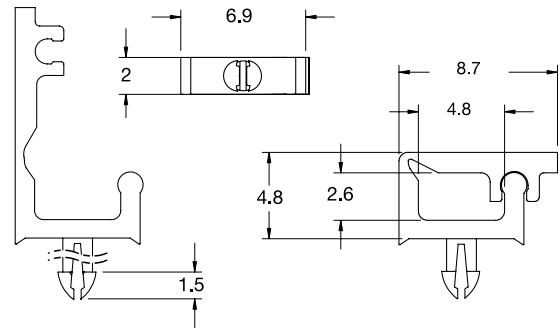


Part Number	Dimensions (mm)		Std Pack Qty
	Mounting Hole Ø	Panel Thickness	
PWS-1-104	1	1	1000

WIRE SADDLES

Micro Wire Saddle, Locking Top

MWSLT
Natural



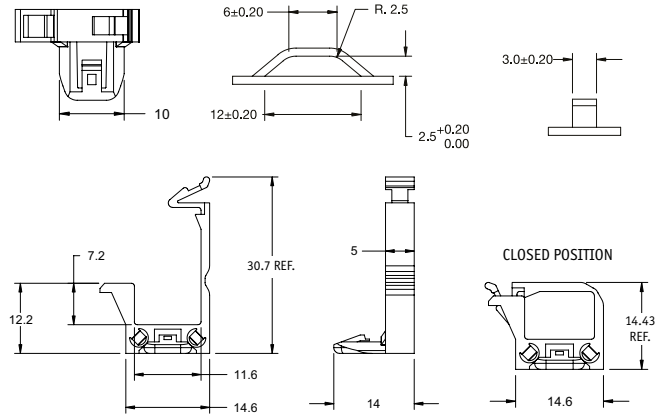
Part Number		Dimensions (mm)		Std Pack Qty
UL94 V2 Nylon 6/6, RMS-01	UL94 V0 Nylon 6/6, RMS-19	Panel Hole Ø	Panel Thickness	
MWSLT-1-01	MWSLT-1-19	1.7	1.6	1000
MWSLT1-1-01	MWSLT1-1-19	1.7	2.4	1000

Side Mount Wire Saddle

SMWSLT
Natural Nylon 6/6, UL 94 V0 Nylon 6/6, RMS-19



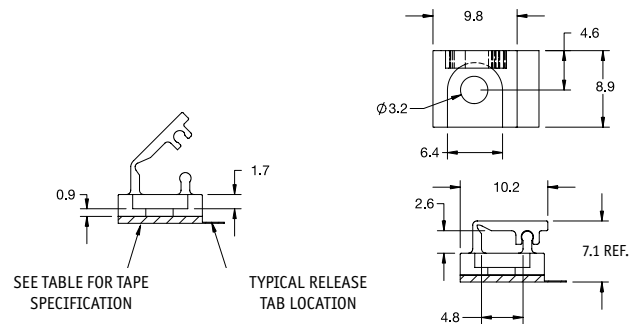
MOUNTING HOLE DIMENSIONS



Part Number	Std Pack Qty
SMWSLT-1-19	1000

Micro Wire Saddle Locking Top on Base

MWSLTB
Natural UL94 V0 Nylon, 6/6, RMS-19

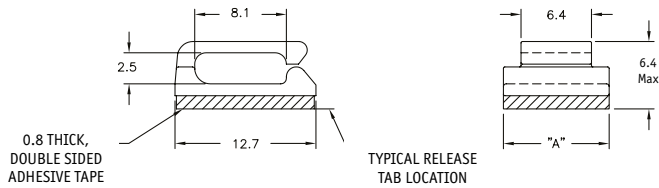


Part Number	Mounting Method	Std Pack Qty
MWSLTB-1-19A-RT	Acrylic Adhesive, RMS-15, 0.8 thick	1000
MWSLTB-1-19	Any *SR-30XX rivet or #4 or M3 screw	1000

Side Entry Micro Wire Saddle on Adhesive Base

MWSSEB/MWSSEBE

Natural Adhesive Back: RMS-24

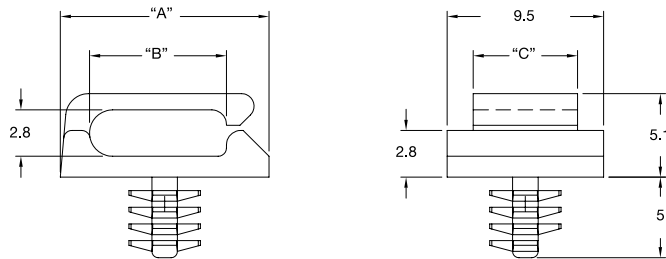


Part Number		"A" (mm)	Std Pack Qty
Nylon 6/6, RMS-01	UL94 V0 Nylon 6/6, RMS-19		
MWSSEB-1-01A2	MWSSEB-1-19A2	9.5	1000
MWSSEBE-1-01A2	MWSSEBE-1-19A2	12.7	1000

Micro Blind Hole Mount Wire Saddle

MBHWSSE

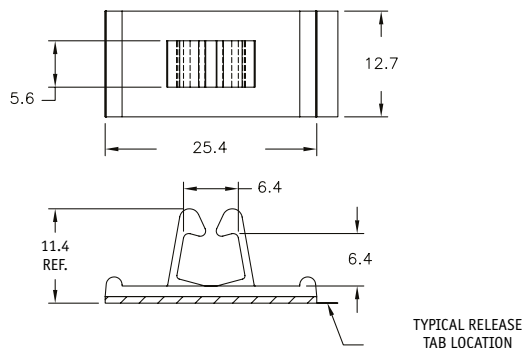
Natural



Part Number		Dimensions (mm)					Std Pack Qty
UL94 V2 Nylon 6/6, RMS-01	UL94 V0 Nylon 6/6, RMS-19	"A"	"B"	"C"	Mounting Hole Ø	Panel Thickness	
MBHWSSE-1-01	MBHWSSE-1-19	12.7	8.3	6.4	4	1 - 4.1	1000
MBHWSSE1-1-01	MBHWSSE1-1-19	17.0	12.5	8.0	4	1 - 4.1	1000

Cord Clip on Base

WCB

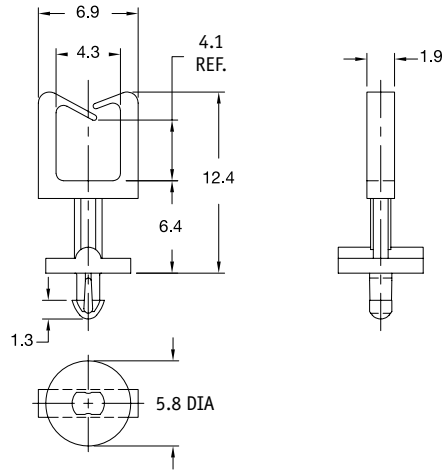
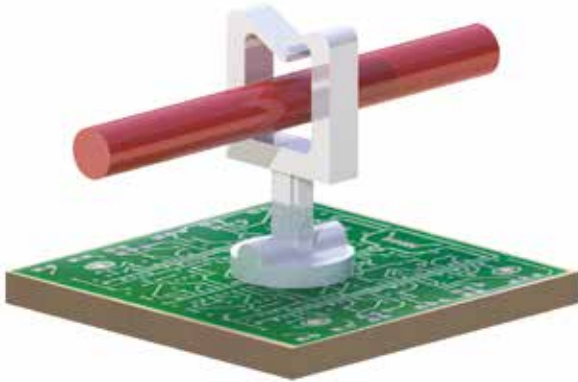


Part Number	Base Material	Adhesive Material	Colour	Std Pack Qty
WCB-250-01A4-RT	Nylon 6/6, RMS-01	RMS-324	Natural	1000

WIRE SADDLES

Standoff Micro Wire Saddle

SMWS

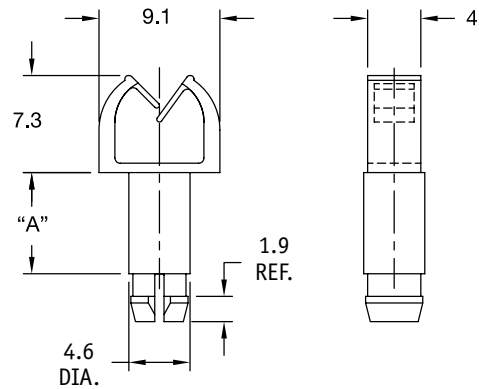


Part Number		Dimension (mm)		Std Pack Qty
Natural Nylon 6/6, RMS-01	Natural UL94 V0 Nylon, 6/6 RMS-19	Hole Ø	Panel Thickness	
SMWS-1-01	SMWS-1-19	1.78 ± 0.05	1.57	1000
SMWS1-1-01	SMWS1-1-19	1.78 ± 0.05	2.36	1000

Stand-Off Micro Wire Saddle

MWSELF

Natural

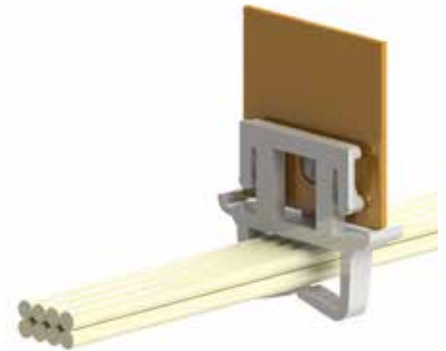
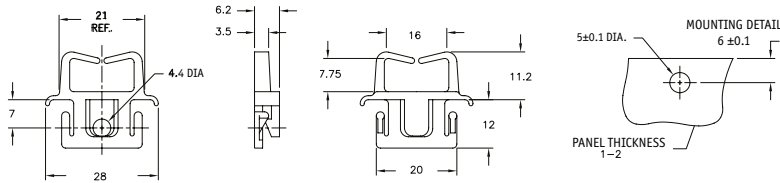


Part Number		Dimensions (mm)			Std Pack Qty
UL94 V2 Nylon 6/6, RMS-01	UL94 V0 Nylon 6/6, RMS-19	"A"	Hole Ø	Panel Thickness	
MWSELF-1-4.1-01	MWSELF-1-4.1-19	4.1	3.80	1.6	1000
MWSELF-1-7.7-01	MWSELF-1-7.7-19	7.7	3.80	1.6	1000
MWSELF-2-4.1-01	MWSELF-2-4.1-19	4.1	3.80	2.0	1000
MWSELF-2-7.7-01	MWSELF-2-7.7-19	7.7	3.80	2.0	1000

Edge Holding Wire Saddle

EHWSE

Natural Nylon 6/6, RMS-01

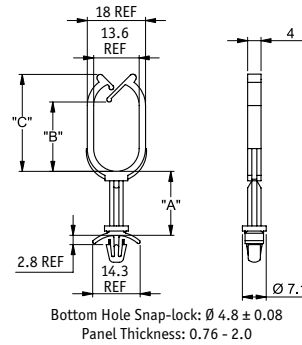


Part Number	Std Pack Qty
EHWSE-1-01	500

Stand-Off Harness Clip

SHK/SHKE

Part Number		Dimensions (mm)			Std Pack Qty
Natural UL 94 V-2 Nylon 6/6, RMS-01	Natural UL 94 V-0 Nylon 6/6, RMS-19	"A" ±0.4	"B"	"C"	
SHK-6-01	SHK-6-19	9.5	13.6	19.5	1000
SHK-8-01	SHK-8-19	12.7	13.6	19.5	1000
-	SHK-12-19	19.1	13.6	19.5	1000
SHK-16-01	SHK-16-19	25.4	13.6	19.5	1000
SHK-20-01	SHK-20-19	31.8	13.6	19.5	1000
SHKE-6-01	SHKE-6-19	9.5	20.6	29.0	1000
SHKE-8-01	SHKE-8-19	12.7	20.6	29.0	1000
SHKE-12-01	SHKE-12-19	19.1	20.6	29.0	1000
SHKE-16-01	SHKE-16-19	25.4	20.6	29.0	1000
SHKE-20-01	SHKE-20-19	31.8	20.6	29.0	1000

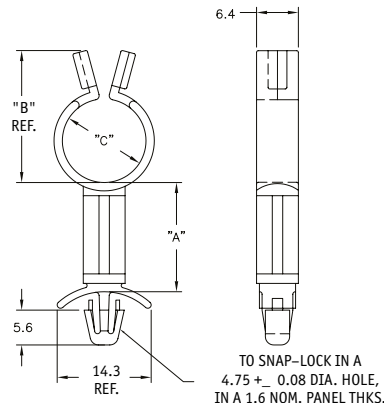


Stand-Off Locking Clip

SLCS

Natural

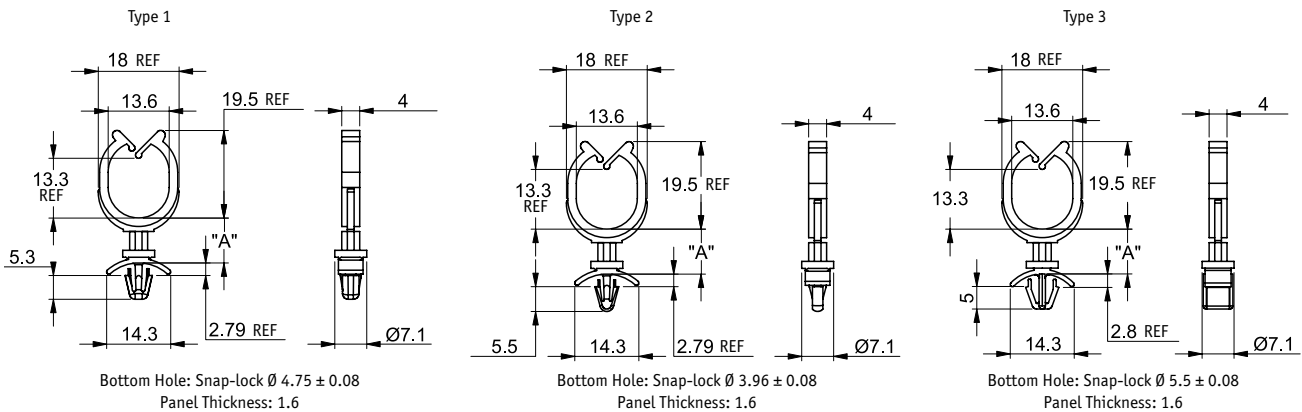
Part Number		Dimensions (mm)			Std Pack Qty
UL94 V2 Nylon 6/6, RMS-01	UL94 V0 Nylon 6/6, RMS-19	A	B	Max Bundle Ø	
SLCS-250-3-01	SLCS-250-3-19	4.8	13.5	4.8	1000
SLCS-250-4-01	SLCS-250-4-19	6.4	13.5	4.8	1000
SLCS-250-6-01	SLCS-250-6-19	9.5	13.5	4.8	1000
SLCS-250-8-01	SLCS-250-8-19	12.7	13.5	4.8	1000
SLCS-250-16-01	SLCS-250-16-19	25.4	13.5	4.8	1000
SLCS-370-3-01	SLCS-370-3-19	4.8	16.8	7.9	1000
SLCS-370-4-01	SLCS-370-4-19	6.4	16.8	7.9	1000
SLCS-370-6-01	SLCS-370-6-19	9.5	16.8	7.9	1000
SLCS-370-8-01	SLCS-370-8-19	12.7	16.8	7.9	1000
SLCS-370-16-01	SLCS-370-16-19	25.4	16.8	7.9	1000
SLCS-500-3-01	SLCS-500-3-19	4.8	21.1	11.1	1000
SLCS-500-4-01	-	6.4	21.1	11.1	1000
SLCS-500-6-01	SLCS-500-6-19	9.5	21.1	11.1	1000
SLCS-500-8-01	SLCS-500-8-19	12.7	21.1	11.1	1000
SLCS-500-16-01	SLCS-500-16-19	25.4	21.1	11.1	1000
SLCS-750-3-01	SLCS-750-3-19	4.8	26.4	17.5	1000
SLCS-750-4-01	SLCS-750-4-19	6.4	26.4	17.5	1000
SLCS-750-6-01	SLCS-750-6-19	9.5	26.4	17.5	1000
-	SLCS-750-8-19	12.7	26.4	17.5	1000
SLCS-750-16-01	SLCS-750-16-19	25.4	26.4	17.5	1000



STAND-OFF CLIPS

Stand-Off Harness Clip (Metric)

SHK-J

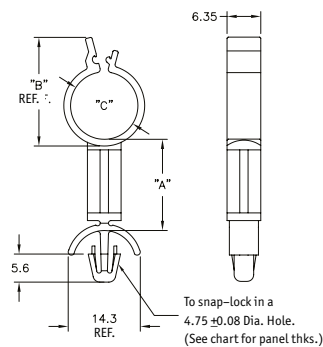


Part Number						"A" Standoff height (mm)	Std Pack Qty
Type 1		Type 2		Type 3			
Natural UL 94 V-2 Nylon 6/6, RMS-01	Natural UL 94 V-0 Nylon 6/6, RMS-19	Natural UL 94 V-2 Nylon 6/6, RMS-01	Natural UL 94 V-0 Nylon 6/6, RMS-19	Natural UL 94 V-2 Nylon 6/6, RMS-01	Natural UL 94 V-0 Nylon 6/6, RMS-19		
SHK-J-6M-01	SHK-J-6M-19	SHK-J1-6M-01	SHK-J1-6M-19	SHK-J2-6M-01	SHK-J2-6M-19	6	1000
SHK-J-8M-01	SHK-J-8M-19	SHK-J1-8M-01	SHK-J1-8M-19	SHK-J2-8M-01	SHK-J2-8M-19	8	1000
SHK-J-10M-01	SHK-J-10M-19	SHK-J1-10M-01	SHK-J1-10M-19	SHK-J2-10M-01	SHK-J2-10M-19	10	1000
SHK-J-12M-01	SHK-J-12M-19	SHK-J1-12M-01	SHK-J1-12M-19	SHK-J2-12M-01	SHK-J2-12M-19	12	1000
SHK-J-14M-01	SHK-J-14M-19	SHK-J1-14M-01	SHK-J1-14M-19	SHK-J2-14M-01	SHK-J2-14M-19	14	1000
SHK-J-16M-01	SHK-J-16M-19	SHK-J1-16M-01	SHK-J1-16M-19	SHK-J2-16M-01	SHK-J2-16M-19	16	1000
SHK-J-18M-01	SHK-J-18M-19	SHK-J1-18M-01	SHK-J1-18M-19	SHK-J2-18M-01	SHK-J2-18M-19	18	1000
SHK-J-20M-01	SHK-J-20M-19	SHK-J1-20M-01	SHK-J1-20M-19	SHK-J2-20M-01	SHK-J2-20M-19	20	1000
SHK-J-22M-01	SHK-J-22M-19	SHK-J1-22M-01	SHK-J1-22M-19	SHK-J2-22M-01	SHK-J2-22M-19	22	1000
SHK-J-24M-01	SHK-J-24M-19	SHK-J1-24M-01	SHK-J1-24M-19	SHK-J2-24M-01	SHK-J2-24M-19	24	1000
SHK-J-26M-01	SHK-J-26M-19	SHK-J1-26M-01	SHK-J1-26M-19	SHK-J2-26M-01	SHK-J2-26M-19	26	1000
SHK-J-28M-01	SHK-J-28M-19	SHK-J1-28M-01	SHK-J1-28M-19	SHK-J2-28M-01	SHK-J2-28M-19	28	1000

Stand-Off Lock Clip

SLCSE

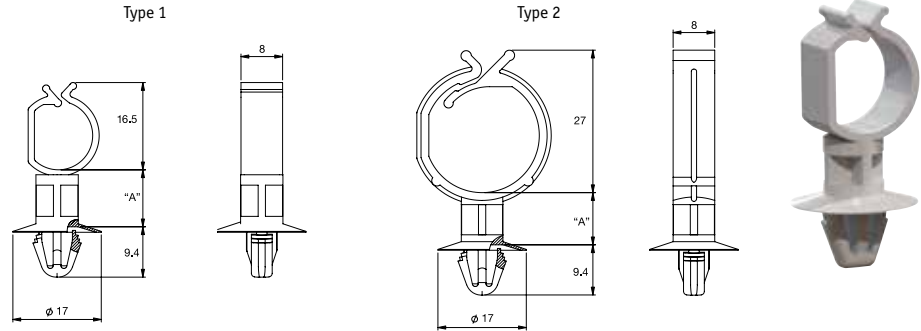
Natural



Part Number		Dimensions (mm)				Std Pack Qty
UL94 V2 Nylon 6/6, RMS-01	UL94 V0 Nylon 6/6, RMS-19	A	B	Panel Thickness	Max Bundle Dia.	
SLCSE-250-3-01	SLCSE-250-3-19	4.8	14.5	0.8-2	5.6	1000
SLCSE-370-3-01	SLCSE-370-3-19	4.8	18	0.8-2	8.9	1000
SLCSE-500-3-01	SLCSE-500-3-19	4.8	21	0.8-2	12	1000
SLCSE-750-3-01	SLCSE-750-3-19	4.8	27.5	0.8-2	18.4	1000
SLCSE2-250-3-01	SLCSE2-250-3-19	4.8	14.5	2-4	5.6	1000
SLCSE2-370-3-01	-	4.8	18	2-4	8.9	1000
SLCSE2-500-3-01	SLCSE2-500-3-19	4.8	21	2-4	12	1000
SLCSE2-750-3-01	SLCSE2-750-3-19	4.8	27.5	2-4	18.4	1000

Standoff Cable Clamps

SCCA/SCCB

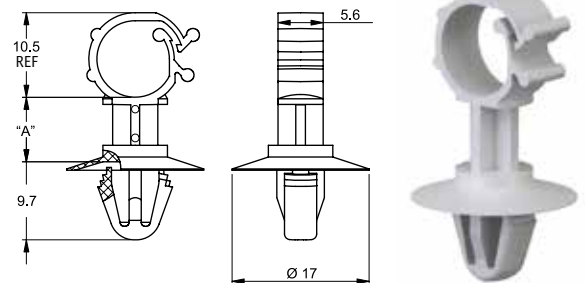


Part Number			Dimensions (mm)					Std Pack Qty
Natural UL94 V-2 Nylon 6/6, RMS-01	Black UL94 V-2 Nylon 6/6, RMS-01	Natural UL94 V-0 Nylon 6/6, RMS-19	Type	"A" Standoff height	Max. Cable Bundle Ø	Hole Ø	Panel Thickness	
SCCA-1-01	SCCA-1-01BK	SCCA-1-19	1	4	11	6.5 - 7	0.6 - 2	1000
SCCA-2-01	SCCA-2-01BK	SCCA-2-19	1	6	11	6.5 - 7	0.6 - 2	1000
SCCA-3-01	SCCA-3-01BK	SCCA-3-19	1	8	11	6.5 - 7	0.6 - 2	1000
SCCA-4-01	SCCA-4-01BK	-	1	10	11	6.5 - 7	0.6 - 2	1000
SCCA-5-01	SCCA-5-01BK	SCCA-5-19	1	12	11	6.5 - 7	0.6 - 2	1000
SCCB-1-01	SCCB-1-01BK	SCCB-1-19	2	4	22	6.5 - 7	0.6 - 2	1000
SCCB-2-01	SCCB-2-01BK	-	2	6	22	6.5 - 7	0.6 - 2	1000
SCCB-3-01	SCCB-3-01BK	SCCB-3-19	2	8	22	6.5 - 7	0.6 - 2	1000
SCCB-4-01	-	-	2	10	22	6.5 - 7	0.6 - 2	1000
SCCB-5-01	SCCB-5-01BK	SCCB-5-19	2	12	22	6.5 - 7	0.6 - 2	1000
SCCB-6-01	-	-	2	30	22	6.5 - 7	0.6 - 2	1000

Standoff Cable Clip Side Entry

SCC-SE

Natural UL94 V0 Nylon 6/6, RMS-19



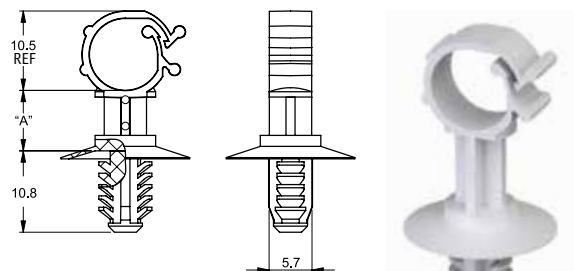
Part Number	"A" Standoff height (mm)	Cable Bundle Max (mm)	Std Pack Qty
SCC-SE-4-19	4	9	1000
SCC-SE-8-19	8	9	1000
SCC-SE-10-19	10	9	1000
SCC-SE-12-19	12	9	1000

Bottom Hole: Snap-lock 6.5-7
Panel Thickness: 0.8-1.25

Standoff Cable Clip Side Entry

SCCBH-SE

Natural UL94 V0 Nylon 6/6, RMS-19



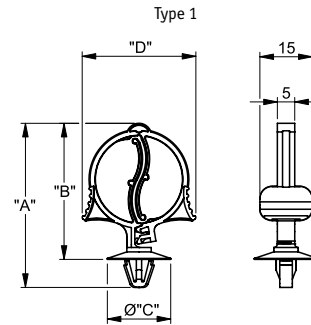
Part Number	"A" Standoff height (mm)	Cable Bundle Max (mm)	Std Pack Qty
SCCBH-SE-4-19	4	9	1000
SCCBH-SE-8-19	8	9	1000
SCCBH-SE-10-19	10	9	1000
SCCBH-SE-12-19	12	9	1000

Bottom Hole: Push fit Ø6.5
Panel Thickness: Min 0.7

STAND-OFF CLIPS

Webbing Centre Clip

WCC



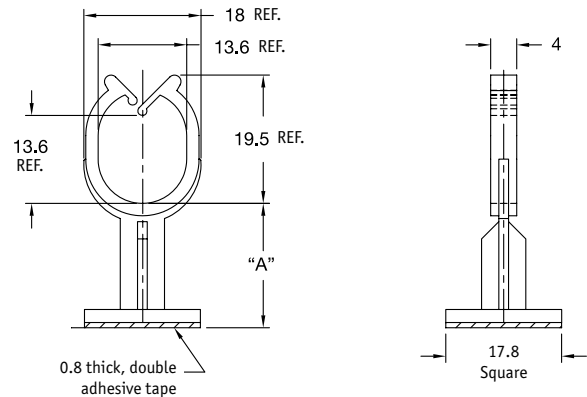
Part Number		Dimensions (mm)							Mounting Method	Cable Bundle Ø	Std PackQty
Natural UL94 V-2 Nylon 6/6, RMS-01	Black UL94 V-2 UV Nylon 6/6, RMS-46	Type	"A"	"B"	"C"	"D"	"E"				
WCC1-1-01	WCC1-1-UVB	1	35	28	18.4	23	17.8	Snap lock 4 - 4.8 Ø hole, 0.5 - 1.6 panel thickness	3 - 7.9	500	
WCC1-2-01	WCC1-2-UVB	1	40	31	18.4	27	17.8	Snap lock 4 - 4.8 Ø hole, 0.5 - 1.6 panel thickness	3 - 9.5	500	
WCC1-3-01	WCC1-3-UVB	1	45	37	18.4	33	17.8	Snap lock 4 - 4.8 Ø hole, 0.5 - 1.6 panel thickness	3 - 12.7	500	
WCC2-1-01	WCC2-1-UVB	1	32	28	16.0	23	17.8	Snap lock 6 - 6.8 Ø hole, 0.5 - 2.5 panel thickness	3 - 7.9	500	
WCC2-2-01	WCC2-2-UVB	1	37	31	16.0	27	17.8	Snap lock 6 - 6.8 Ø hole, 0.5 - 2.5 panel thickness	3 - 9.5	500	
WCC2-3-01	WCC2-3-UVB	1	42	37	16.0	33	17.8	Snap lock 6 - 6.8 Ø hole, 0.5 - 2.5 panel thickness	3 - 12.7	500	

Stand-Off Harness Clip on Adhesive

SHKBS

Natural UL94 V2 Nylon 6/6, RMS-01

Adhesive Back: RMS-15

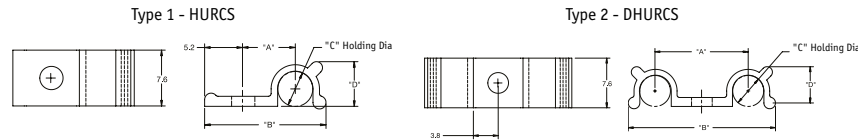


Part Number	"A" Standoff height (mm)	Std Pack Qty
SHKBS-4-01A-RT	6.4	1000
SHKBS-8-01A-RT	12.7	1000

Screw Mount U Clamp

HURCS/DHURCS

Natural Nylon 6/6, RMS-01



Mounting Notes - 3.2 ±0.5 mounting hole Ø for #4 or M3 screw or SR-30XX series rivet

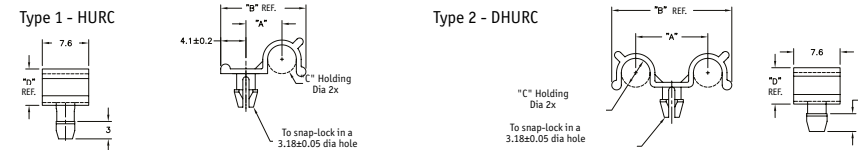
Part Number	Dimensions (mm)				Type	Std Pack Qty
	"A"	"B"	"C" Holding Ø	"D"		
HURCS-2-01	6.2	15.0	3.2	4.3	1	1000
HURCS-3-01	7.1	15.6	4.8	6.1	1	1000
HURCS-4-01	8.1	18.3	6.4	7.6	1	1000
DHURCS-2-01	12.4	19.0	3.2	4.3	2	1000
DHURCS-3-01	14.2	22.6	4.8	6.1	2	1000
DHURCS-4-01	16.2	25.9	6.4	7.6	2	1000



Plug In Routing Clips

HURC/DHURC

Natural UL94 V2 Nylon 6/6, RMS-01



Part Number	Dimensions (mm)					Type	Std Pack Qty
	"C" Holding Ø	"A"	"B"	"D"	Panel Thickness		
HURC-2-01	3.2	5.1	12.4	4.3	1.6	1	1000
HURC-3-01	4.8	6.1	14.2	6.1	1.6	1	1000
HURC-4-01	6.4	6.9	15.7	7.6	1.6	1	1000
HURC1-2-01	3.2	5.1	12.4	4.3	2.4	1	1000
HURC1-3-01	4.8	6.1	14.2	6.1	2.4	1	1000
HURC1-4-01	6.4	6.9	15.7	7.6	2.4	1	1000
DHURC-2-01	3.2	10.4	16.8	4.3	1.6	2	1000
DHURC-3-01	4.8	12.2	20.1	6.1	1.6	2	1000
DHURC-4-01	6.4	14.0	23.9	7.6	1.6	2	1000

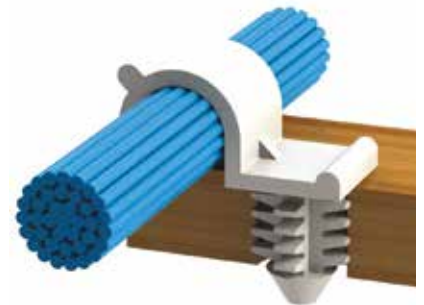
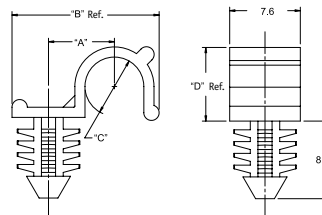


Routing Clips Blind Hole Mount

HURCBH

Natural UL94 V2 Nylon 6/6, RMS-01

Natural V0 Nylon 6/6, RMS-19



UL94 V2 Nylon 6/6, RMS-01	UL94 V0 Nylon 6/6, RMS-19	Dimensions (mm)						Std Pack Qty
		"A"	"B"	"C" Holding Ø	"D"	Panel Hole Ø	Panel Thickness	
HURCBH-3-01	HURCBH-3-19	6.1	14.2	4.8	6.1	6.35 ± .076	6.35 Min.	1000
HURCBH-4-01	HURCBH-4-19	6.9	15.7	6.4	7.6	6.35 ± .076	6.35 Min.	1000

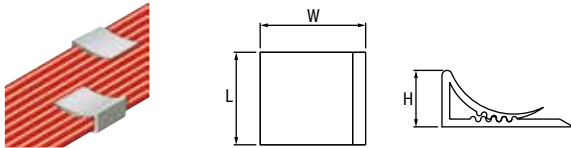
SCREW, ADHESIVE & FLAT CABLE MOUNTS

Adhesive Ribbon Cable Clip

SR 1789

Grey PVC

- Designed to clamp ribbon cable
- Backed with high-quality adhesive tape

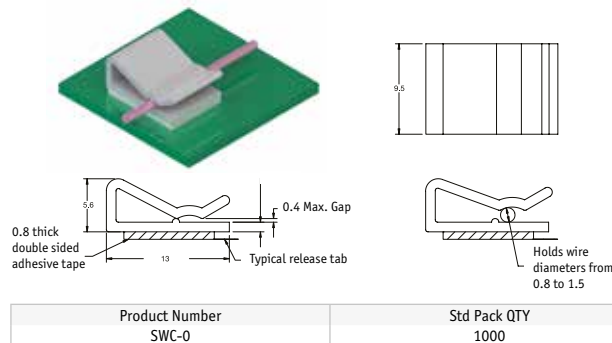


Part Number	Dimensions (mm)			Std Pack Qty
	L	W	H	
460293	15	24	9	100
460294	20	24	9	100
460295	25	24	9	100
460296	28	24	9	100

Single Wire Clip on Adhesive Base

SWO

White, UL94 V0 PPE/PS, RMS-05; Adhesive back, RMS-15 Color



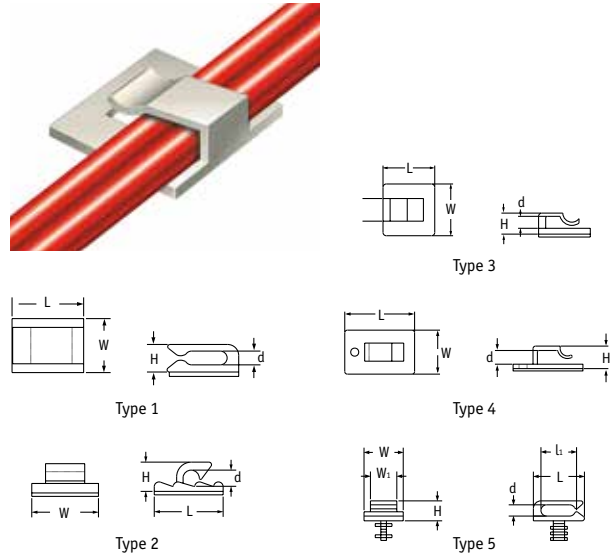
Product Number	Std Pack QTY
SWC-0	1000

Self-Adhesive Cable Clips

SR 1788

Natural Nylon 6.6

- Strong adhesion for quick and easy installation
- Ideal for lightweight wire bundles
- Flammability rating UL94 V2



Part Number	Max Cable Dia (mm) d	Type	Dimensions (mm)					Std Pack Qty
			L	W	w1	L1	H	
460300	2.8	1	13.0	9.5	-	-	5.2	100
460301	4.8	2	16.0	15.5	-	-	6.8	100
460302	3.7	3	16.0	16.0	-	-	6.8	100
460303*	5.5	4	27.0	17.0	-	-	8.7	100
460304	5.8	1	16.0	15.8	-	-	9.0	100
460305	2.8	5	12.8	9.8	2.8	5.0	5.0	100

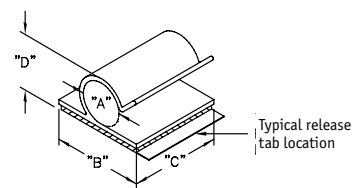
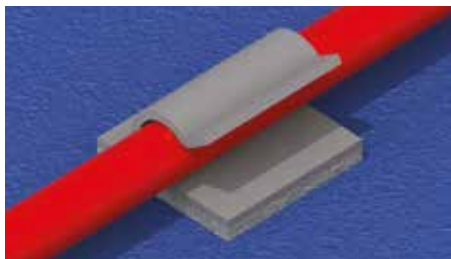
* Additional mounting hole of diameter 3.1mm.

C Style Clamp on Adhesive Base

KKO

Grey PVC, RMS-04

Adhesive Base Back - 1.6mm thick, RMS-15

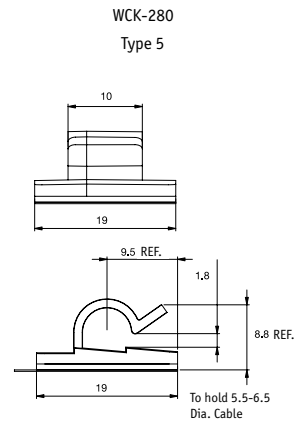
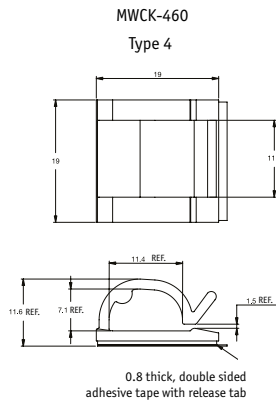
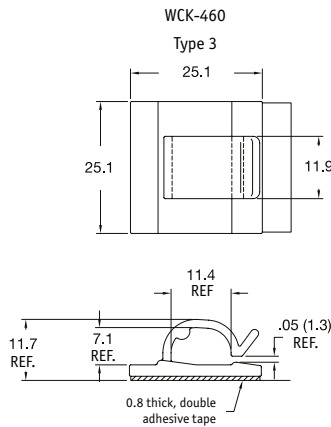
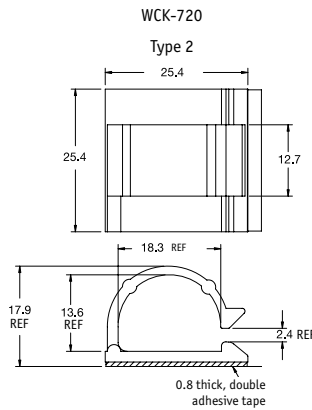
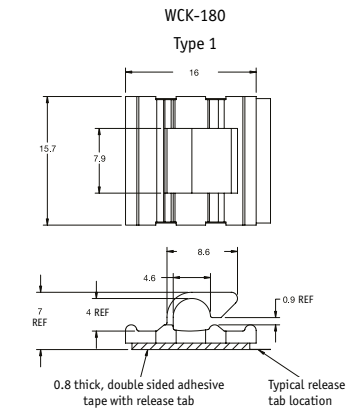


Part Number	Dimensions (mm)				Std Pack Qty
	Holding Capacity "A"	"B" ± 0.4	"C" ± 0.5	"D" At Max Capacity Ref.	
KKC-2-RT	3.2	19.1	19.1	7.9	500
KKC-3-RT	4.8	19.1	19.1	8.4	500
KKC-4-RT	6.4	19.1	19.1	10.7	500
KKC-5-RT	7.9	19.1	19.1	12.2	500
KKC-6-RT	9.5	19.1	19.1	15.2	500
KKC-8-RT	12.7	25.4	25.4	17.5	100
KKC-12-RT	19.1	25.4	25.4	23.9	100

Wire Cord Klip

WCK/MWCK

Natural UL94 V2 Nylon 6/6, RMS-01

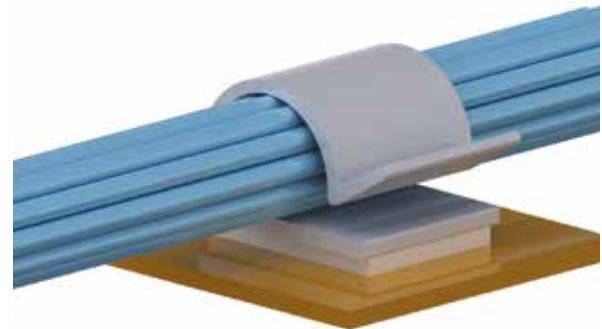
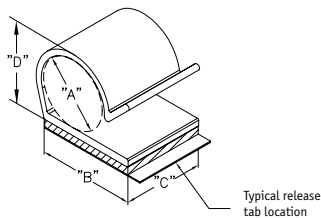


Part Number	Type	Adhesive Material	Std Pack Qty
WCK-180-01A4-RT	1	RMS-324	1000
WCK-720-01A4-RT	2	RMS-324	1000
WCK-460-01A4-RT	3	RMS-324	1000
MWCK-460-01A4	4	RMS-324	1000
WCK-280-01A4-RT	5	RMS-324	1000

R Style Clamp on Adhesive Base

KKR

Grey, PVC, RMS-04



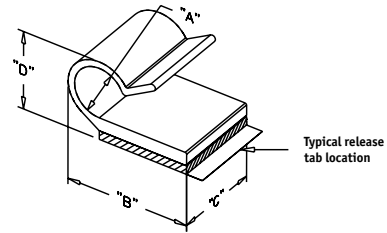
Part Number	Holding Capacity "A"	Dimensions (mm)			Double Sided Adhesive Tape 1.6	Std Pack Qty
		"B" ± 0.5	"C" ± 0.5	"D" at Max. Capacity Ref.		
KKR-5A1-RT	13.2	19.1	15.9	17.3	Rubber, RMS-102	500

SCREW, ADHESIVE & FLAT CABLE MOUNTS

Mini J Style Clamp on Adhesive Base

MKKJ

Clear, Rigid PVC, RMS-32 Adhesive Back, 0.8 thick, RMS-15

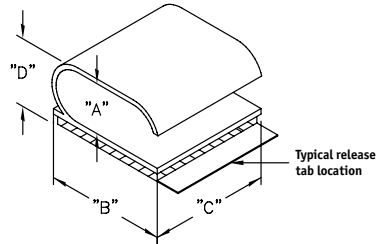


Part Number	Dimensions (mm)				Std Pack Qty
	Holding Capacity "A"	"B" ± 0.4	"C" ± 0.5	"D" at Max. Capacity Ref.	
MKKJ-2-RT	3.2	11.1	9.5	6.0	1000
MKKJ-3-RT	4.8	15.9	11.1	8.3	1000
MKKJ-4-RT	6.4	16.7	12.7	10.3	1000
MKKJ-5-RT	7.9	20.6	14.3	12.3	1000
MKKJ-6-RT	9.5	22.2	15.9	14.3	1000

F Style Clamp on Adhesive Base

KKF

Grey, PVC, RMS-04 Adhesive Back, 1.6 thick, RMS-15



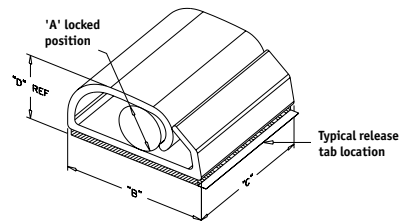
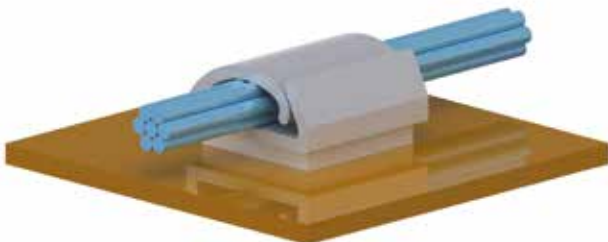
Part Number	Dimensions (mm)				Std Pack Qty
	Holding Capacity "A"	"B" ± 0.8	"C" ± 0.5	"D" at Max. Capacity Ref.	
KKF-10X4-RT	14.3 x 5.2	19.1	19.1	9.1	100

DL Style Clamp on Adhesive Base

KKDL

Grey UL94 VO PVC, RMS-04

Adhesive 1.6 thick, RMS-15

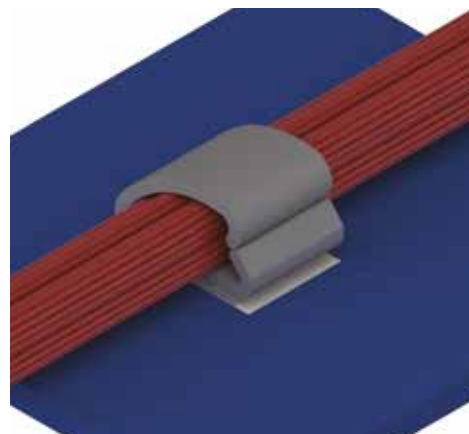
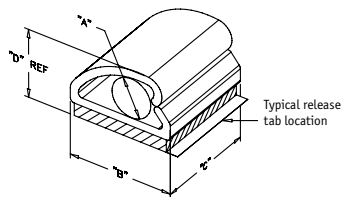


Part Number	Dimensions (mm)				Std Pack Qty
	"A" Holding Capacity	"B"	"C"	"D" at Max. Capacity Ref.	
KKDL-4-RT	3.2	12.7	12.7	7.1	500
KKDL-8-RT	5.6	19.1	19.1	10.9	100

D Style Clamp on Adhesive Base

KKD

Grey UL94 V0 PVC, RMS-04, Adhesive: 1.6 thick

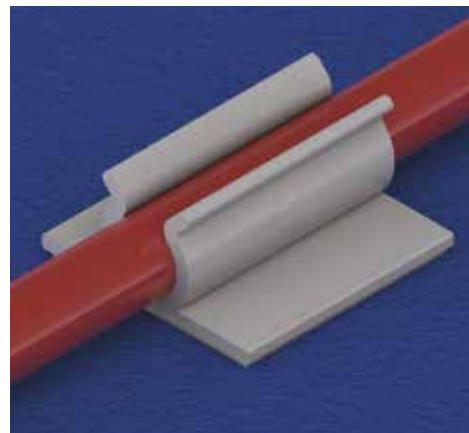
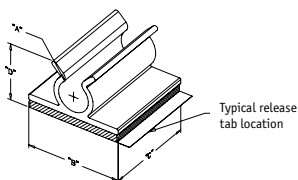


Part Number	Dimensions (mm)				Adhesive Material	Std Pack Qty
	"A" Holding Capacity	"B"	"C"	"D" at Max. Capacity Ref.		
KKD-4-RT	6.4	12.7	12.7	10.2	RMS-15	500
KKD-8A5-RT	12.7	19.1	19.1	18.5	RMS-359	100
KKD-12A5-RT	19.1	28.2	25.4	25.9	RMS-359	100
KKD-16-RT	25.4	38.1	31.8	33.0	RMS-15	100

U Style Clamp on Adhesive Base

KKU

Grey, Adhesive: 1.6 thick



Part Number	Dimensions (mm)				Material	Adhesive Material	Std Pack Qty
	"A" Holding Capacity	"B"	"C"	"D" at Max. Capacity Ref.			
KKU-2A4-RT	3.2	19.1	19.1	7.1	PVC, RMS-193	RMS-324	500
KKU-4A4-RT	6.4	19.1	19.1	11.9	UL94 V0 PVC, RMS-448	RMS-324	500
KKU-6A4-RT	9.5	19.1	19.1	15.1	UL94 V0 PVC, RMS-448	RMS-324	500
KKU-8A4-RT	12.7	25.4	25.4	17.5	UL94 V0 PVC, RMS-448	RMS-324	100
KKU-9A5-RT	14.3	25.4	25.4	19.1	UL94 V0 PVC, RMS-448	RMS-359	100
KKU-12A4-RT	19.1	25.4	25.4	23.0	UL94 V0 PVC, RMS-448	RMS-324	100

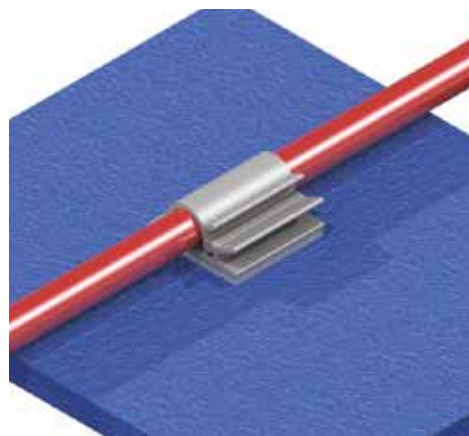
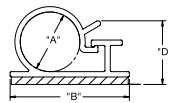
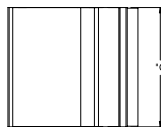
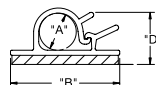
L Style Locking Clamp on Adhesive Base

KKL

Grey, UL94 V0 PVC, RMS-448 Adhesive: 1.6 thick

Type 1

Type 2

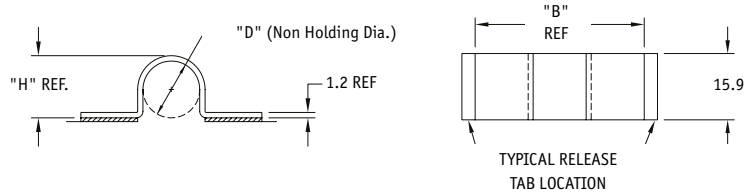
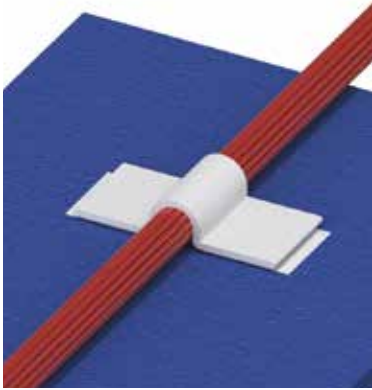


Part Number	Dimensions (mm)				Type	Adhesive Material	Std Pack Qty
	"A" Holding Capacity	"B"	"C"	"D" at Max. Capacity Ref.			
KKL-4-RT	6.4	19.7	19.7	9.5	1	RMS-15	500
KKL-8A5-RT	12.7	25.4	25.4	21.4	2	RMS-359	100
KKL-12-RT	19.1	25.4	25.4	25.4	2	RMS-15	100

SCREW, ADHESIVE & FLAT CABLE MOUNTS

U-Clip with Adhesive Base

UC



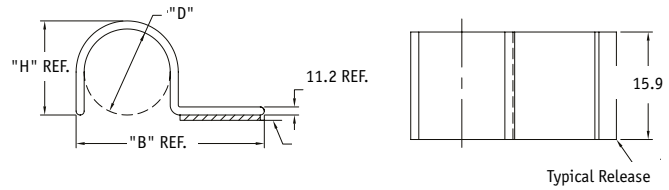
Part Number	Dimensions (mm)			Material	Adhesive	Std Pack Qty
	"D" Bundle Ø	"B"	"H"			
UC-2-RT	3.2	30.9	4.4	UL94 V0 PVC, RMS-04	RMS-15	1000
UC-4-A4-RT	6.4	34.1	7.5	UL94 V0 PVC, RMS-448	RMS-324	1000

Half U-Clip with Adhesive Base

HUC

Black, UL94 V0 PVC, RMS-04

Adhesive Back 0.8 thick, RMS-15

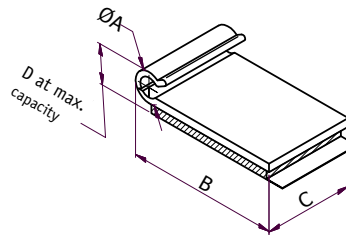


Part Number	Dimensions (mm)			Std Pack Qty
	"D" Bundle Ø	"B"	"H"	
HUC-2-RT	3.2	18.3	4.4	1000
HUC-4-RT	6.4	21.4	7.5	1000

Adhesive Mount Clamp

KKJ

Grey UL94 V0 PVC

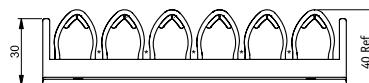
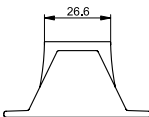
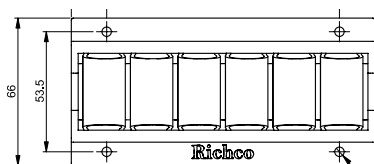


Part Number	"A" Bundle ø	Dimensions (mm)			Std Pack Qty
		"B"	"C"	"D"	
KKJ-2-RT	3.2	21.4	25.4	6.4	1000
KKJ-3-RT	4.8	22.2	31.8	7.9	1000
KKJ-4-RT	6.4	23.0	38.1	10.3	1000
KKJ-5-RT	7.9	31.0	44.5	11.1	1000
KKJ-6-RT	9.5	32.5	50.8	13.5	1000

Universal Cable Grip

UCG

Black, Base: HDPE (RMS-432), Insert TPEE (RMS-433)



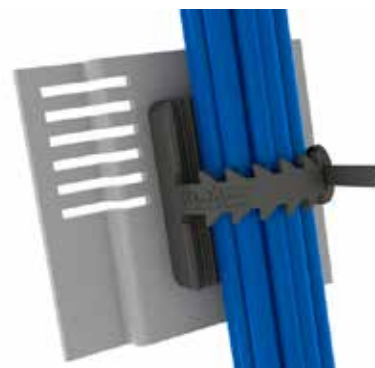
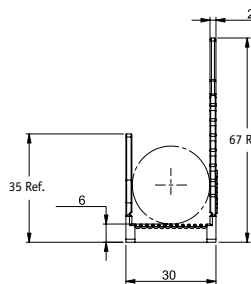
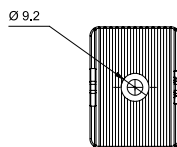
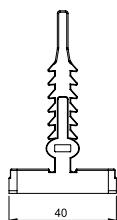
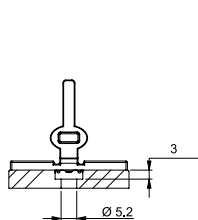
Part Number	Max Cable Bundle Ø REF (mm) (7 positions)	Std Pack Qty
UCG-6BK	12	125

Universal Mounting Block

UMB

Black, Neoprene Rubber 50 Shore A, RMS-190

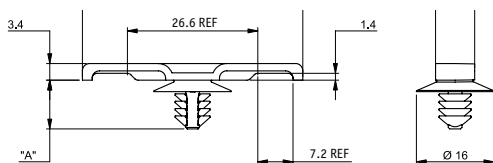
Double-coated PSA tape 0.2mm thick, RMS-139



Part Number	Mounting Method	Max. Cable (mm) Bundle Ø Approx.	Std Pack Qty
UMB-1	M5 screw or SR-50XX rivet (not supplied)	20	200
UMB-1A-RT	Adhesive	20	200

Tape on Cable Holder

TCHBH



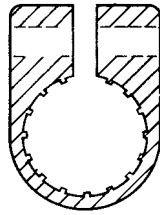
Part Number	Dimensions (mm)			Material	Std Pack Qty
	"A"	Hole Ø / Threaded Hole	Min Panel Thickness		
TCHBH1-1-19	8.1	4.8	0.8	Natural UL94 V0 Nylon 6/6, RMS-19	500
TCHBH2-1-19	9.8	6.4	0.8	Natural UL94 V0 Nylon 6/6, RMS-19	500
TCHBH2-1-UVB	9.8	6.4	0.8	UL94 UV Stabilised V2 Nylon 6/6, RMS-046	500

SCREW, ADHESIVE & FLAT CABLE MOUNTS

Standard Cleats

SR 1780

Black LDPE



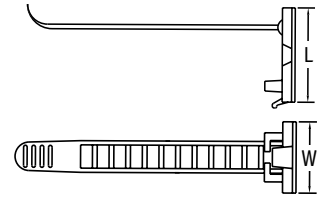
Part Number	Size Number	Cable Size (mm)	Fixing (mm)	Std Pack Qty	Carton Quantity
12875	3	7.6	6.0 (1/4")	100	3000
12876	4	10.1	6.0 (1/4")	100	2500
12877	5	12.7	6.0 (1/4")	100	2500
12848	6	15.2	6.0 (1/4")	100	2000
12878	7	17.8	6.0 (1/4")	100	2000
12879	8	20.3	6.0 (1/4")	100	1000
12880	9	22.8	6.0 (1/4")	100	1000
12881	10	25.4	6.0 (1/4")	100	800
12092	11	27.9	9.6 (3/8")	100	800
12882	12	30.0	10.0 (3/8")	50	600
12883	14	35.6	10.0 (3/8")	50	500
12884	16	40.6	10.0 (3/8")	50	250
12885	18	45.7	10.0 (3/8")	50	400
12886	20	50.4	10.0 (3/8")	50	300

Adjustable Cable Clamps

SR 1787

Natural Nylon 6.6

- Strong adhesion for quick and easy installation
- Flammability rating UL94 V2



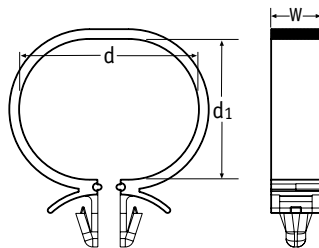
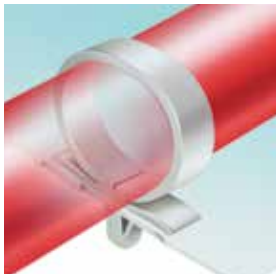
Part Number	Max Cable Diameter (mm)	Dimensions (mm)		Std Pack Qty
		L	W	
460297	17.0	25.0	18.0	100
460298	22.0	30.5	21.0	100
460299	26.0	30.5	21.0	100

Bundle Clips

SR 1783

Grey Nylon 6.6

- To suit panel thickness 0.7 - 2.0mm
- To fit hole size 6.0 - 6.5mm



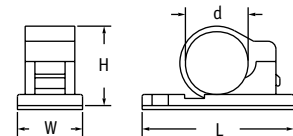
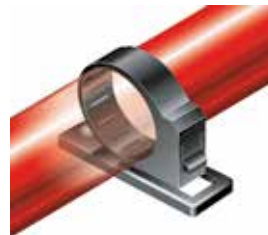
Part Number	Dimensions (mm)			Std Pack Qty
	d	d1	W	
101001000202	10.5	8.0	7.0	500
101001400202	14.0	10.5	7.5	500
101002100202	21.5	19.5	8.0	250
101003000202	30.0	25.0	9.0	250

Adhesive/Screw Fixing Cable Clamps

SR 1789

Black Nylon 6.6

- Flammability rating UL94 V2
- Adhesive and/or screw fixing (dia 4.4mm)
- Backed with high-quality adhesive tape



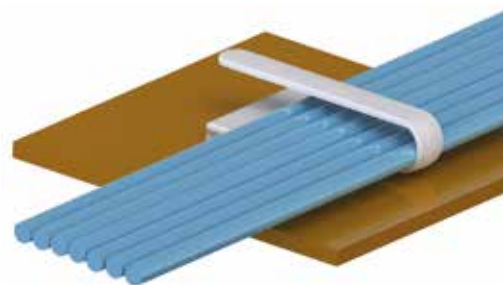
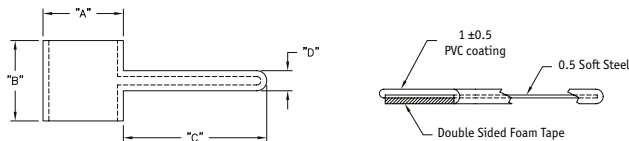
Part Number	Cable Diameter (mm) d	Dimensions (mm)			Std Pack Qty
		L	W	H	
460287	6.0	25.8	13.4	9.1	100
460288	9.0	29.4	13.4	14.0	100
460289	12.0	35.5	16.4	16.5	100
460290	14.0	36.5	16.4	18.5	100
460291	16.0	38.5	16.4	20.5	100
460292	18.0	42.0	16.4	22.5	100

Steel Clamp with Vinyl Coating, Adhesive Base

PCC

White, Soft Steel, RMS-203; PVC Coating, RMS-118,

Adhesive back, RMS-119



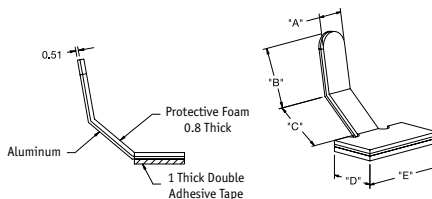
Part Number	Dimensions (mm)				Std Pack Qty
	"A"	"B"	"C"	"D"	
PCC-5	8	8	15	2.1	1000
PCC-9	14	14	25	3.5	500
PCC-12	19	19	40	4	500

Plastic Coated Aluminum Clamp, Foam Coated, Adhesive Base

PFC

Grey Coated, Aluminum, RMS-194; Protective Foam, RMS-314;

Adhesive Back, RMS-93

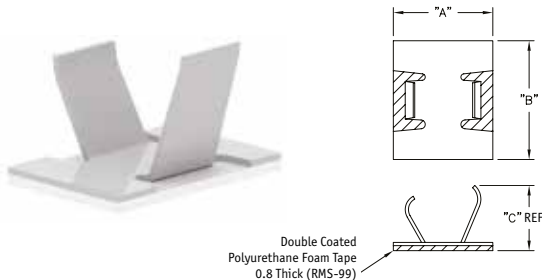


Part Number	Dimensions (mm)					Std Pack Qty
	"A"	"B"	"C"	"D"	"E"	
PFC-25M	4.8	12.55	11.1	10.1	19.1	1000
PFC-50M	5.2	14.55	14.1	14.05	24.95	1000

Aluminum Clamp on Adhesive Base

ASK

Bright Finish, Aluminum, RMS-194

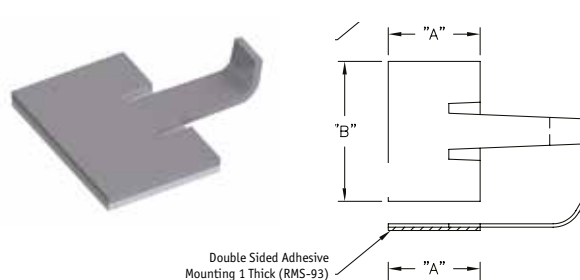


Part Number	Dimensions (mm)			Max. Bundle Ø	Std Pack Qty
	"A"	"B"	"C"		
ASK-3	11.3	16.8	9.5	6.0	250
ASK-6	15.7	18.8	14.3	9.5	250

Aluminum Clamp on Adhesive Base

RAK

Bright Finish, Aluminum, RMS-194



Part Number	Dimensions (mm)		Max. Bundle Ø	Std Pack Qty
	"A"	"B"		
RAK-1	11.3	17.1	6.0	250
RAK-2	16.3	19.3	9.5	250

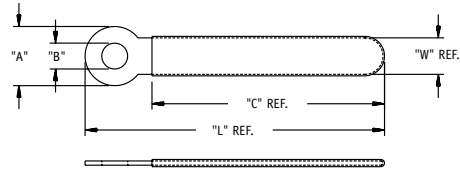
SCREW, ADHESIVE & FLAT CABLE MOUNTS

Adjustable Steel Clamp with Vinyl Coating

VCC

Body: Soft Steel, RMS-243, 0.5 thick

Coating: Soft Black PVC, RMS-118, 0.8 thick

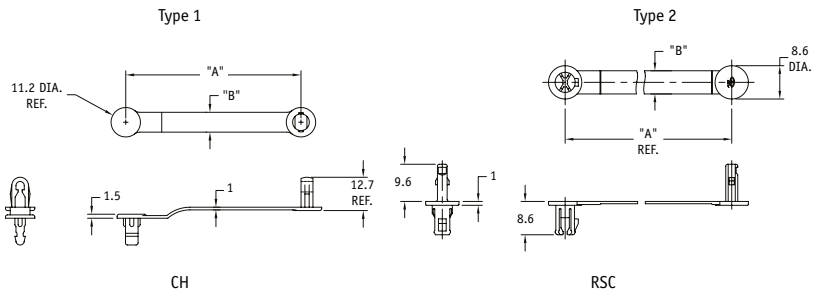


Part Number	Dimensions (mm)					Approx. Bundle Ø	Std Pack Qty
	"L"	"C"	"A"	"B"	"W"		
VCC-83028	28	18	8	3.0	3.0	5.7	1000
VCC-83535	35	25	8	3.5	5.0	7.9	1000
VCC-83540	40	30	8	3.5	3.0	9.5	1000
VCC-63048	48	40	6	3.0	2.0	12.7	1000
VCC-84554	54	42	8	4.5	4.8	13.3	1000
VCC-63254	54	46	6	3.2	3.6	14.6	1000
VCC-83664	64	53	8	4.1	5.0	16.9	1000
VCC-84576	76	65	8	4.5	4.5	20.7	1000
VCC-84584	84	72	8	4.5	4.5	22.9	1000
VCC-845126	126	112	8	4.5	6.0	35.6	100

* Minimum drip allowed at the tip of the part

Plug in Cable Hanger

CH/RSO

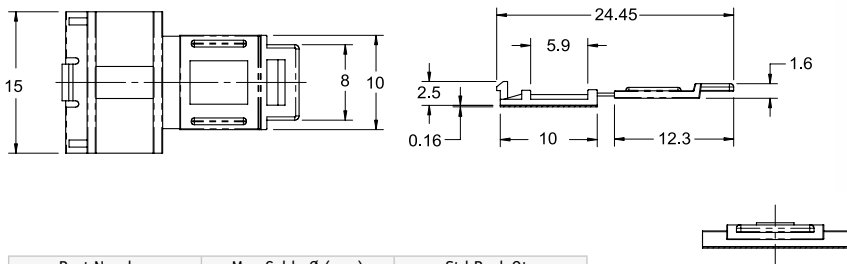


Part Number	Type	Dimensions (mm)					Material	Colour	Std Pack Qty
		"A"	"B"	Max Holding Ø	Mounting Hole Ø	Panel Thickness			
CH-1-01	1	44.5	7.5	9.5	6.4	0.8-2.4	UL94 V2 Nylon 6/6, RMS-01	Natural	1000
CH-2-01	1	66.7	7.5	15.9	6.4	0.8-2.4	UL94 V2 Nylon 6/6, RMS-01	Natural	1000
CH-3-01	1	95.3	7.5	25.4	6.4	0.8-2.4	UL94 V2 Nylon 6/6, RMS-01	Natural	1000
CH-1-01BK	1	44.5	7.5	9.5	6.4	0.8-2.4	UL94 V2 Nylon 6/6, RMS-01	Black	1000
CH-2-01BK	1	66.7	7.5	15.9	6.4	0.8-2.4	UL94 V2 Nylon 6/6, RMS-01	Black	1000
CH-1-10	1	44.5	7.5	9.5	6.4	0.8-2.4	UL94 HB Polypropylene, RMS-10	Natural	1000
CH-2-10	1	66.7	7.5	15.9	6.4	0.8-2.4	UL94 HB Polypropylene, RMS-10	Natural	1000
CH-3-10	1	95.3	7.5	25.4	6.4	0.8-2.4	UL94 HB Polypropylene, RMS-10	Natural	1000
CH-1-10BK	1	44.5	7.5	9.5	6.4	0.8-2.4	UL94 HB Polypropylene, RMS-10	Black	1000
CH-2-10BK	1	66.7	7.5	15.9	6.4	0.8-2.4	UL94 HB Polypropylene, RMS-10	Black	1000
CH-3-10BK	1	95.3	7.5	25.4	6.4	0.8-2.4	UL94 HB Polypropylene, RMS-10	Black	1000
RSC-3-01	2	28	4	5.6	4.8	0.8-3.2	UL94 V2 Nylon 6/6, RMS-01	Black	1000
RSC-4-01	2	33	6	6.4	4.8	0.8-3.2	UL94 V2 Nylon 6/6, RMS-01	Black	1000
RSC-6-01	2	43	6	9.5	4.8	0.8-3.2	UL94 V2 Nylon 6/6, RMS-01	Black	1000
RSC-9-01	2	63	6	15.9	4.8	0.8-3.2	UL94 V2 Nylon 6/6, RMS-01	Black	1000

Micro Cable Clamp

MCC

Black: UL94 V-2 Nylon 6/6, RMS-01; Adhesive: RMS-414

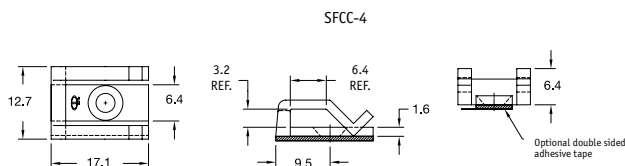


Part Number	Max Cable Ø (mm)	Std Pack Qty
MCC-1-01A-BK	1	1000

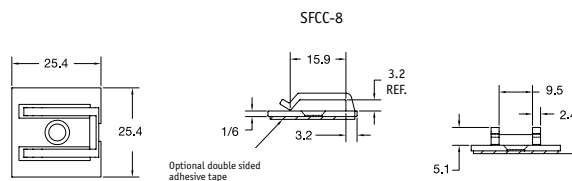
Split Flat Cable Clamp

SFCC

Natural: UL94 V2 Nylon 6/6, RMS-01



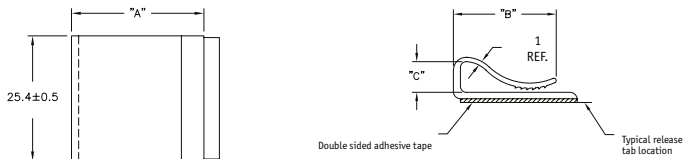
Part Number	Mounting Method	Std Pack Qty
SFCC-4-01	#4 or M2.5 Flat Head Screw	1000
SFCC-4-01A-RT	Adhesive, RMS-15	1000
SFCC-8-01	#6 or M3 Flat Head Screw	1000
SFCC-8-01A4-RT	Adhesive, RMS-324	1000



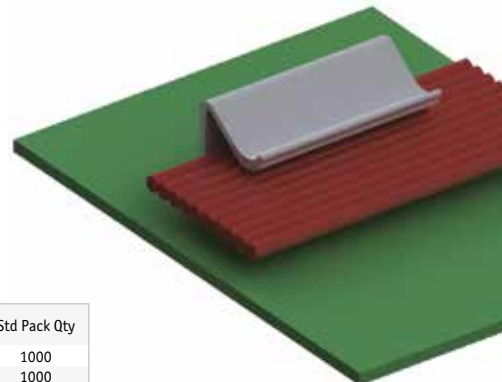
Flat Cable Clamp on Adhesive Base

CFCC

Natural: UL94 V2 Nylon 6/6, RMS-01



Part Number	Dimensions (mm)			Adhesive Material	Plastic Material	Colour	Std Pack Qty
	"A"	"B"	"C"				
CFCC-4-05A-RT	14.29	10.2	6.4	RMS-15	RMS-193	White	1000
CFCC-8-04A4-RT	26.97	22.35	6.4	RMS-324	UL94 V0 PVC, RMS-448	Grey	1000
CFCC-3-05	14.29	11.7	4.6	No Adhesive	UL94 V1 PPE/PS, RMS-05	White	1000
CFCC-4-05	14.29	10.2	6.4	No Adhesive	UL94 V1 PPE/PS, RMS-05	White	1000
CFCC-8-01	26.97	22.35	6.4	No Adhesive	UL94 V0 PVC, RMS-04	Grey	1000

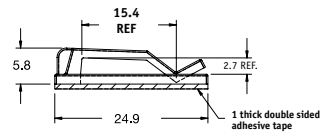
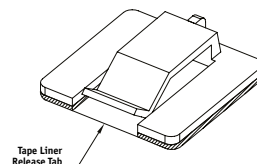
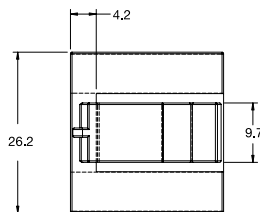


SCREW, ADHESIVE & FLAT CABLE MOUNTS

Split Flat Cable Clamp on Adhesive Base

CFCCS

Natural; Nylon 6/6, RMS-01 Adhesive Back, RMS-324

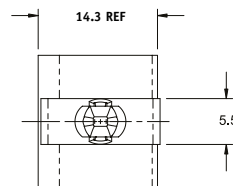
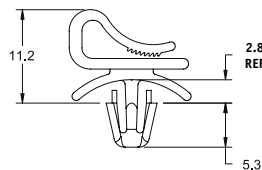
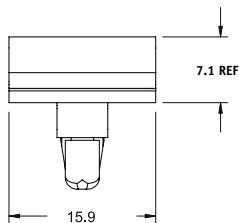


Part Number	Std Pack Qty
CFCCS-8-01A4	1000

Flat Cable Clamp

CFCCA

Natural

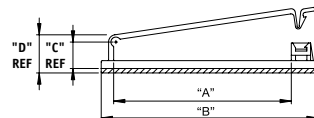


Part Number		Mounting Hole ±0.08 (mm)	Panel Thickness (mm)	Std Pack Qty
Nylon 6/6, RMS-01	UL94 V0 Nylon 6/6, RMS-19			
CFCCA-1-01	CFCCA-1-19	4.75	0.79-1.98	1000

Cable Clamp on Adhesive Base

FCW

Natural; Double Adhesive Back, RMS-350



Part Number		Max. No. of Conductors	Dimensions (mm)					Std Pack Qty
UL94 V2 Nylon 6/6, RMS-01	UL94 V0 Nylon 6/6, RMS-19		"A"	"B"	"C"	"D"	"E"	
FCW-29-01	FCW-29-19	30	31.5	45.1	7.7	11.1	18.9	100
FCW-30-01	FCW-30-19	30	31.6	45.5	9.0	13.1	19.1	100
FCW-40-01	FCW-40-19	40	39.3	53.0	9.3	13.4	19.1	100
FCW-50-01	FCW-50-19	50	63.2	77.2	9.1	13.2	19.1	100
FCW-50H-01	FCW-50H-19	50	64.6	78.2	15.0	19.0	18.9	100

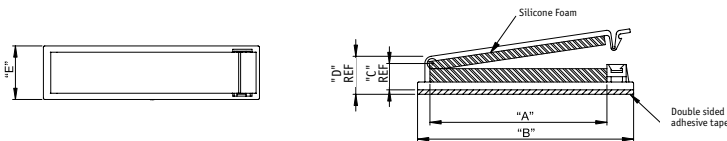
Cable Clamp with Adhesive Base, Silicone Foam in Center

FCWSP

Natural UL94 V0 Nylon 6/6, RMS-19

Cushion: Grey Adhesive backed UL94 V0 Silicone Foam, RMS-135

Adhesive Base: 1.6 mm thick, RMS-350



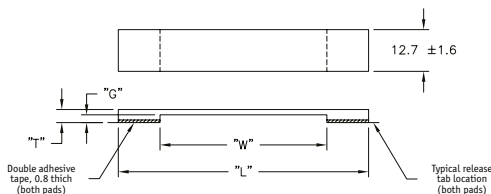
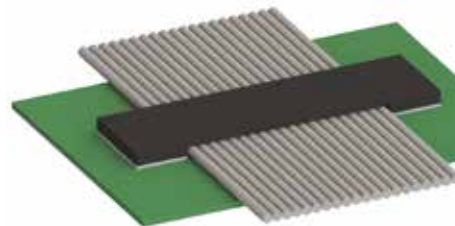
Part Number	Dimensions (mm)					Cushion Thickness Latch Side	Cushion Thickness Base Side	Std Pack Qty
	"A"	"B"	"C"	"D"	"E"			
FCWSF-29-19	31.5	45.1	7.7	11.1	18.9	3.3	3.3	100
FCWSF-30-19	31.6	45.5	9.0	13.1	19.1	3.3	4.8	100
FCWSF-40-19	39.3	53	9.3	13.4	19.1	3.3	4.8	100
FCWSF-50-19	63.2	77.2	9.1	13.2	19.1	3.3	4.8	100

When clamp is closed, slight gap may exist between foam

Flat Cable Clamp with Adhesive Base

FCC

Black; UL94 V0 PVC, RMS-04

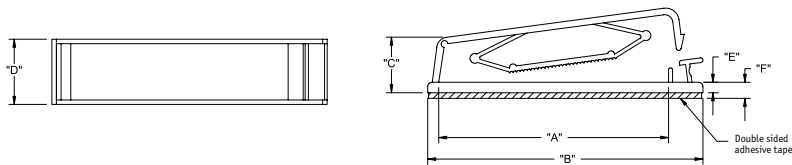
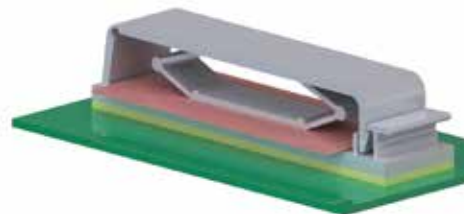


Part Number	Dimensions (mm)				Adhesive Material	Std Pack Qty
	"L"	"W"	"T"	"G"		
FCC-4-3-RT	38.1	12.7	4	2.4	RMS-15	100
FCC-8-3-RT	50.8	25.4	4	2.4	RMS-15	100
FCC-16-3-RT	76.2	50.8	4	2.4	RMS-15	100

Flat Cable Clamp with Tension on Adhesive Base

TFCC

Natural



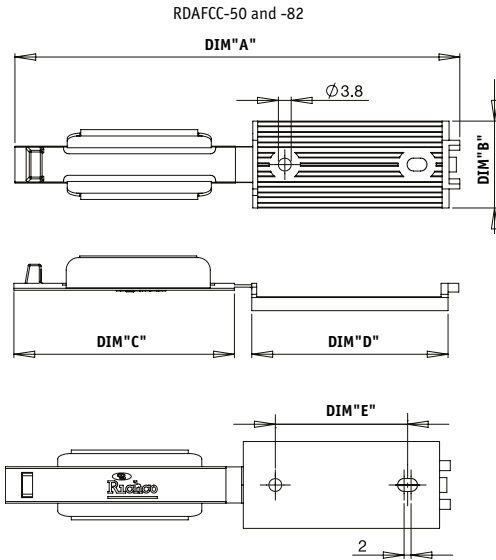
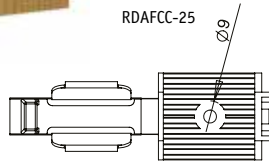
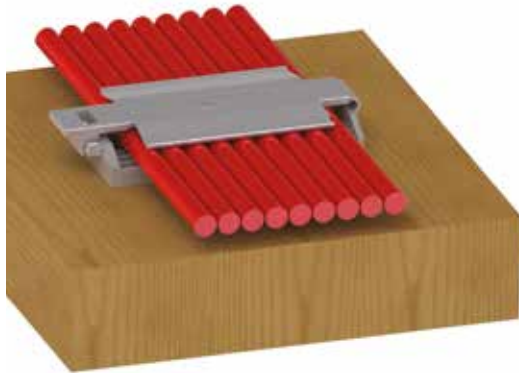
Part Number	Dimensions (mm)						Material	Std Pack Qty
	"A"	"B"	"C"	"D"	"E"	"F"		
TFCC-30-01	32.0	45.0	15.8	18.6	3.0	4.6	UL94 V2 Nylon 6/6, RMS-74; Adhesive back, RMS-350	100
TFCC-40-01	54.0	67.0	15.8	15.8	3.1	4.7	UL94 V2 Nylon 6/6, RMS-01; Adhesive back, RMS-430	100
TFCC-50-01	65.2	78.4	15.8	18.8	3.1	4.7	UL94 V2 Nylon 6/6, RMS-74; Adhesive back, RMS-350	100

SCREW, ADHESIVE & FLAT CABLE MOUNTS

Flat Cable Clamps

RDAFCO

Grey; UL94 V2 Nylon 6/6, RMS-01; Optional Double Adhesive Back, RMS-324

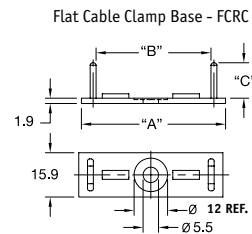


Part Number	Maximum Cable Width	Recommended Maximum Cable Thickness	Mounting Method	Dimensions (mm)					Std Pack Qty
				"A"	"B"	"C"	"D"	"E"	
RDAFCC-25	25.4	5	#6 or M3 Screw	75.8	25.0	37.9	29.7	-	100
RDAFCC-25A	25.4	5	Adhesive	75.8	25.0	37.9	29.7	-	100
RDAFCC-50	50.8	5	#6 or M3 Screw	128.5	25.0	63.5	56.5	38	100
RDAFCC-50A	50.8	5	Adhesive	128.5	25.0	63.5	56.5	38	100
RDAFCC-82	76.2	5	#6 or M3 Screw	179.4	25.4	88.5	82.8	38	100
RDAFCC-82A	76.2	5	Adhesive	179.4	25.4	88.5	82.8	38	100

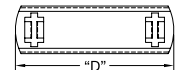
Flat Cable Clamps

FCRC

Natural; UL94 V2 Nylon 6/6, RMS-01 ; 0.8 Thick Adhesive Back, RMS-15



Flat Cable Clamp Cover - FCRC-C

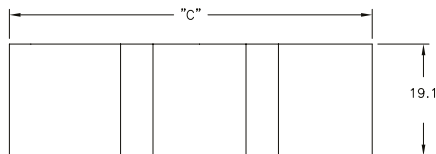


Part Number		Dimensions (mm)					Use Cover Part No.	"D"	Std Pack Qty
W/Out Adhesive	With Adhesive	"A"	"B"	"C"					
FCRC-13B-4	FCRC-13B-4A-RT	51.7	41.2	12.7		FCRC-13C	56.8	100	
-	FCRC-19B-4A-RT	69.1	58.7	12.7		FCRC-19C	74.2	100	
FCRC-21B-4	FCRC-21B-4A-RT	75.7	64.8	12.7		FCRC-21C	80.5	100	
FCRC-26B-4	FCRC-26B-4A-RT	93.0	82.3	12.7		FCRC-26C	98.0	100	
FCRC-13B-6	-	51.7	41.2	19.1		FCRC-13C	56.8	100	
FCRC-19B-6	FCRC-19B-6A-RT	69.1	58.7	19.1		FCRC-19C	74.2	100	
FCRC-21B-6	FCRC-21B-6A-RT	75.7	64.8	19.1		FCRC-21C	80.5	100	
FCRC-26B-6	FCRC-26B-6A-RT	93.0	82.3	19.1		FCRC-26C	98.0	100	

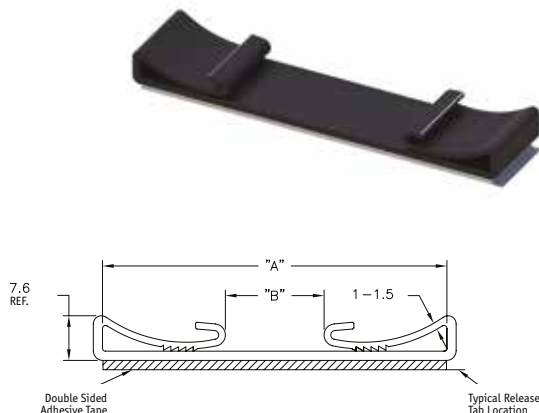
Dual Flat Cable Clamp with Adhesive Base

DFCC

Black; UL94 V0 PVC, RMS-04



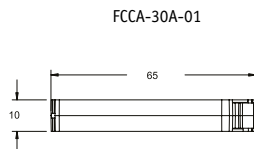
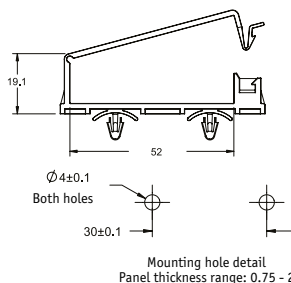
Part Number	Dimensions (mm)			Adhesive Material	Std Pack Qty
	"A"	"B"	"C"		
DFCC-2-RT	58.7	16.8	61.9	RMS-15	100
DFCC-3-RT	82.6	40.6	85.7	RMS-15	100



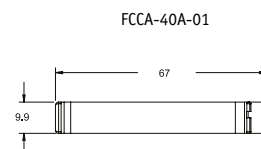
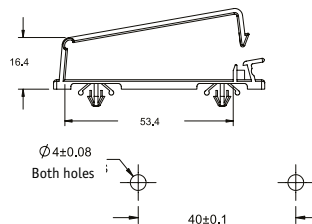
Flat Cable Clamp Arrowhead Mounted

FCCA

Natural; Nylon 6/6, RMS-01



Part Number	Std Pack Qty
FCCA-30A-01	100
FCCA-40A-01	100

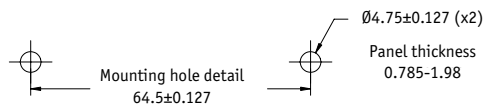


Mounting hole detail
Panel thickness range: 0.75 - 2

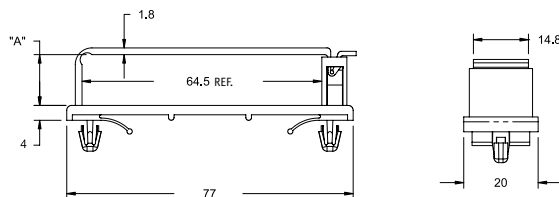
Cable Clamp Arrowhead Mounted

FCCB

Natural; UL94 V2 Nylon 6/6, RMS-01



Part Number	"A" (mm)	Std Pack Qty
FCCB-1	7.2	100
FCCB-2	13.7	100

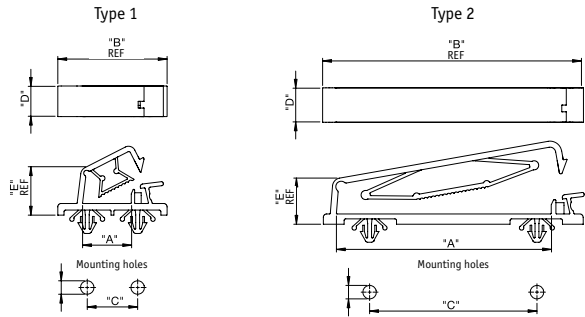


SCREW, ADHESIVE & FLAT CABLE MOUNTS

Arrowhead Mounted Flat Cable Clamp with Tension

TFCM

Natural

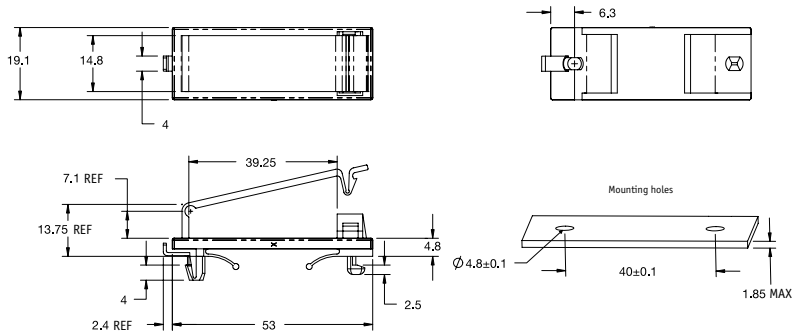


Part Number		Type	Dimensions (mm)					Mounting Hole Ø	Panel Thickness	Std Pack Qty
Nylon 6/6, RMS-01	UL94 V0 Nylon 6/6, RMS-19		"A"	"B"	"C"	"D"	"E"			
TFCCA-15-01	-	1	15.5	32.5	15.0	9.1	14.1	4	1 - 2	100
TFCCA-25-01	TFCCA-25-19	2	24.7	39.3	20.0	13.2	12.7	4	1 - 2	100
TFCCA-40-01	TFCCA-40-19	2	54.1	67.0	40.0	10.0	16.3	4	1 - 2	100
TFCCA-50-01	TFCCA-50-19	2	63.8	77.2	10.2	10.2	13.7	4	1 - 2	100

Slide Entry Cable Clamp

FCSE

Natural UL94 V2 Nylon 6/6, RMS-01

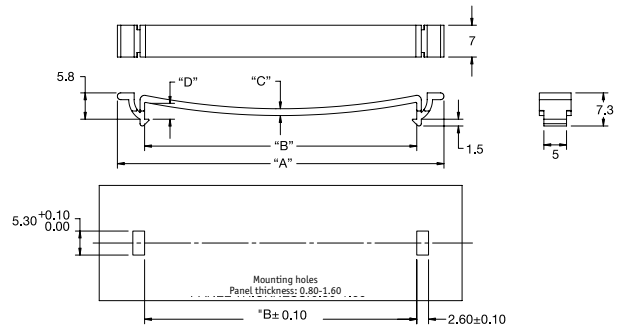


Part Number	Std Pack Qty
FCSE-1	100

Snap In Flat Cable Clamp

FCCS

Natural Nylon 6/6, RMS-19

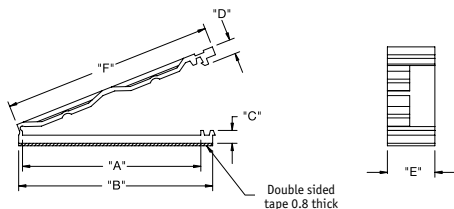


Part Number	Dimensions (mm)				Std Pack Qty
	"A"	"B"	"C"	"D"	
FCCS-1	27	15	0.8	3.4	500
FCCS-2	42	30	1.0	3.7	500
FCCS-3	47	35	1.0	3.7	500
FCCS-4	57	45	1.2	3.7	500
FCCS-5	72	60	1.5	3.7	500

Flat Cable Clamp with Adhesive Base

TFCM

Natural; Nylon 6/6, RMS-74; Adhesive back, RMS-431

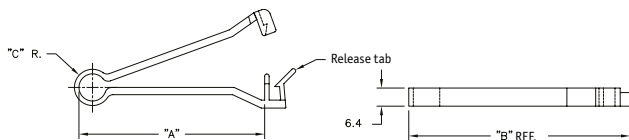


Part Number	Dimensions (mm)						Std Pack Qty
	"A"	"B"	"C"	"D"	"E"	"F"	
TFCM-25S	22.0	27.0	3	4.7	10	32	200
TFCM-25	29.3	36.5	3	4.7	10	40	200
TFCM-25M	55.8	61.2	4	4.7	15	66	100

Flat Cable Loop Clip

FCLC/FCLCS

Natural; Nylon 6/6, RMS-01

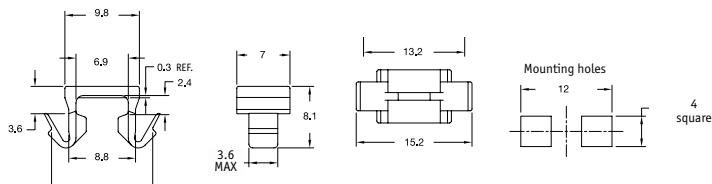


Part Number	Dimensions (mm)			Std Pack Qty
	"A" Max. Cable Width	"B"	"C"	
FCLCS	38.1	50.8	5.8	500
FCLC	63.5	76.2	6.4	500

Flat Cable Loop Clamp

FCCE

Natural; UL94V2 Nylon 6/6, RMS-01



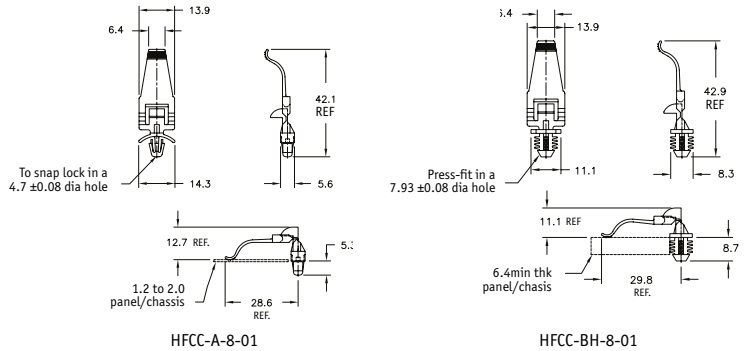
Part Number	Dimensions (mm)		Std Pack Qty
	Max Cable Width	Panel Thickness	
FCCE-9-01	6.35	1 - 1.2	1000

SCREW, ADHESIVE & FLAT CABLE MOUNTS

Hinged Cable Clamp - Self Mounting

HFCC

Natural, Nylon 6/6 RMS-01



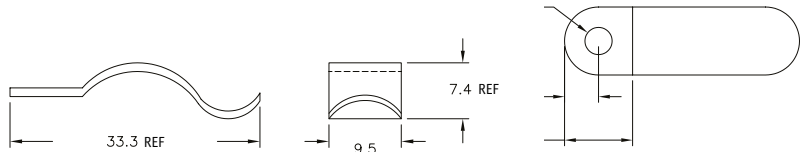
HFCC-A-8-01

HFCC-BH-8-01

Part Number	Std Pack Qty
HFCC-A-8-01	1000
HFCC-BH-8-01	1000

Tension Clamp

TC



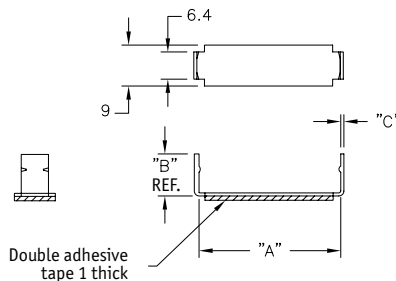
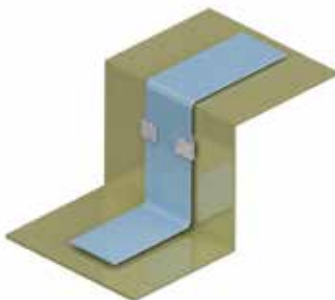
Part Number	Colour	Max Hold Ø (mm)	Mounting Method	Material	Std Pack Qty
TC-30-1	Natural	9.5	M3 or #6 Screw or Rivet	Acetal, RMS-14	1000
TC-30-1BK	Black	9.5	M3 or #6 Screw or Rivet	Acetal, RMS-14	1000
TC-30-1-01	Natural	9.4	M3 or M3.5	Nylon 6/6, RMS-01	1000
TC-30-1-01BK	Black	9.4	M3 or M3.5	Nylon 6/6, RMS-01	1000

Aluminium Flat Cable Clamp with Adhesive Base

AFCC

Bright Finish Aluminum, RMS-194

Adhesive Back, RMS-34



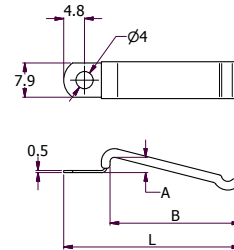
Part Number	Cable Width "A"	Dimensions (mm)		Std Pack Qty
		"B"	"C"	
AFCC-08	12.7	6.4	0.5	250
AFCC-12	19.1	6.4	0.5	250
AFCC-16	25.4	7.9	0.5	250
AFCC-20	31.8	9.5	0.5	250
AFCC-21	33.3	9.8	0.5	250
AFCC-24	38.1	11.1	0.5	250
AFCC-28	44.5	12.7	0.7	250
AFCC-32	50.8	14.3	0.7	250

Vinyl Coated Steel Spring Clip

STCV

Stainless Steel SAE30301

- Coated in Black Plastisol Vinyl for protection and insulation
- Holds down round cables, ribbon cables and tubing
- Mounts with an M3 screw or rivet
- Flexible so that the cable can be removed without having to remove the clip



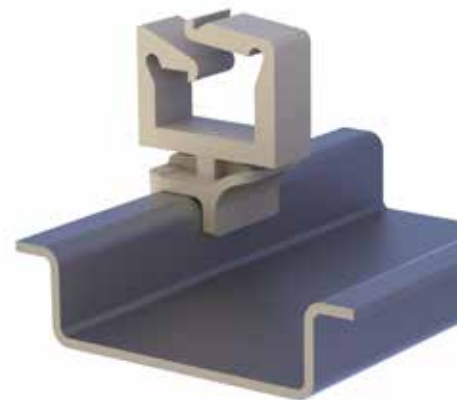
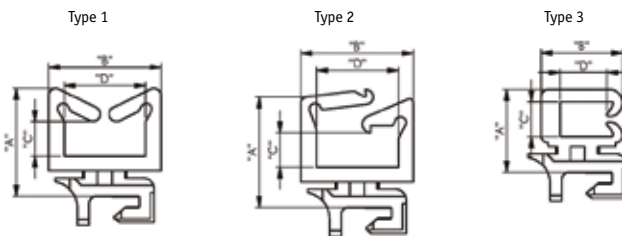
Part Number	Dimensions (mm)			Std Pack Qty
	A	B	L	
STCV-1	2.3	30.2	40.9	1000

DIN Rail Mounting Cable Clip

SR 6280

Natural Nylon 6/6 UL-94 V-2

- For use in all common DIN rail profiles
- No installation tools required
- Lightweight
- Long term cable management solution
- Can be retrofitted to current installations
- Different cable clip styles



Part Number	Dimensions (mm)				Type	DIN Rail Style	Std Pack Qty
	A	B	C	D			
DRCC-WSO1	14.8	15.4	4.8	11.1	1	C-Profile	1000
DRCC-LWSO1	15.1	15.5	3.6	11.3	2	C-Profile	1000
DRCC-SECO1	11.4	11.2	4.8	6.4	3	C-Profile	1000
DRCT-WSO1	14.8	15.4	4.8	11.1	1	Top Hat-Profile	1000
DRCT-LWSO1	15.1	15.5	3.6	11.3	2	Top Hat-Profile	1000
DRCT-SECO1	11.4	11.2	4.8	6.4	3	Top Hat-Profile	1000
DRCG-WSO1	14.8	15.4	4.8	11.1	1	G-Profile	1000
DRCG-LWSO1	15.1	15.5	3.6	11.3	2	G-Profile	1000
DRCG-SECO1	11.4	11.2	4.8	6.4	3	G-Profile	1000