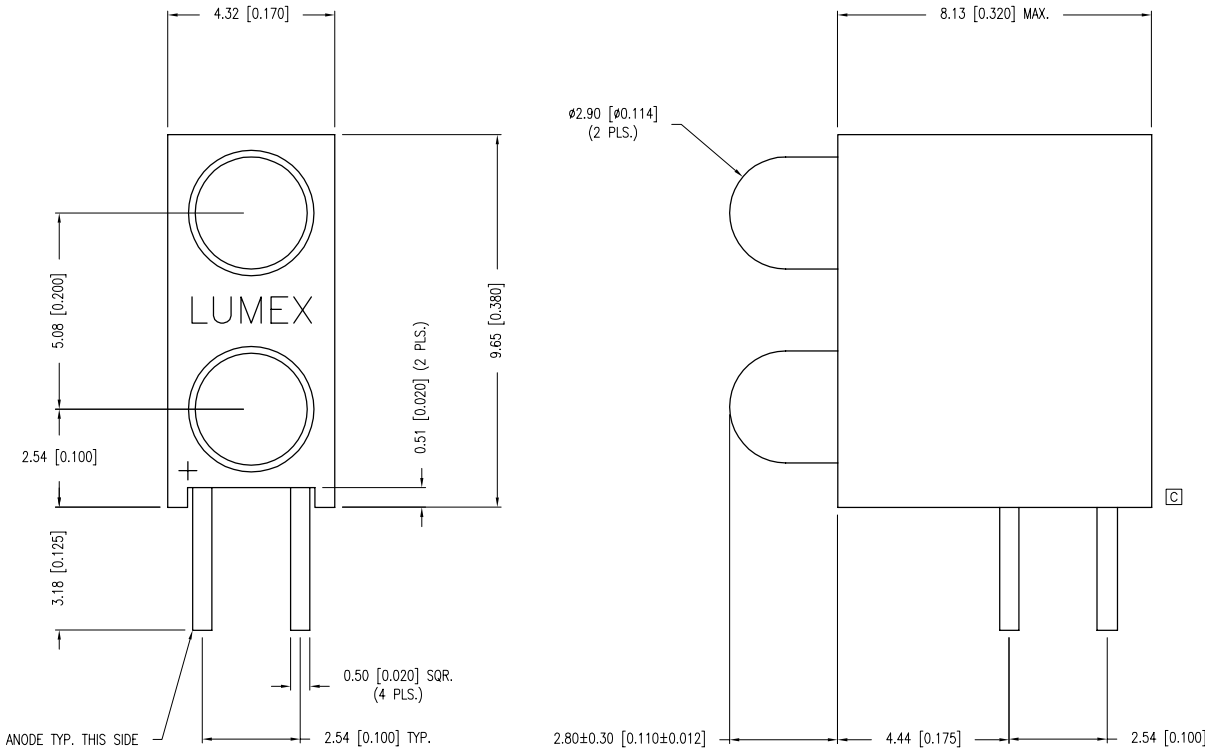


PART NUMBER	SSF-LXH240GID	REV.	G
DATE	E.C.N. NUMBER AND REVISION COMMENTS		REV.
09.05.94	CHG'D HOLDER BOTTOM & SAFE OPR. SPEC.		A
11.29.94	UPDATD SPECS.		B
02.06.95	CHG'D HOLDER BOTTOM.		C
10.05.95	E.C.N. #10100.		D
02.12.96	E.C.N. #10104.		E
12.07.06	E.C.N. #11148.		F
06.23.11	E.C.N. #10BRDR. & REDRAWN/#11729.		G



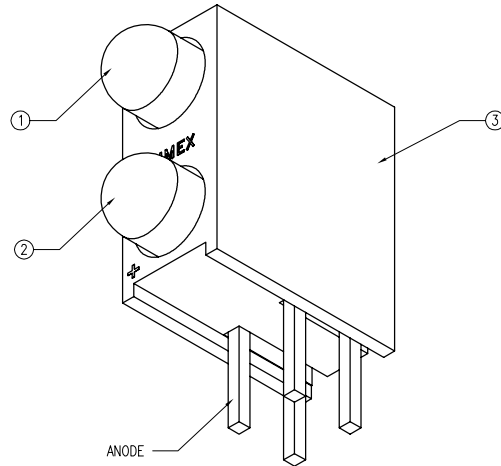
[G] [A] ELECTRO-OPTICAL CHARACTERISTICS $T_A=25^\circ\text{C}$ $I_f=20\text{mA}$

PARAMETER	MIN	TYP	MAX	UNITS	TEST COND
PEAK WAVELENGTH (G/R)		565/627		nm	
FORWARD VOLTAGE (G/R)		2.2/2.0	2.5	V_f	
REVERSE VOLTAGE	5.0			V_r	$I_f=100\mu\text{A}$
AXIAL INTENSITY (G/R)		30		mcd	$I_f=10\text{mA}$
VIEWING ANGLE		40		2x theta	
EMITTED COLOR:	GREEN/RED				
EPOXY LENS FINISH:	COLOR DIFFUSED				

[G] [B] [A] LIMITS OF SAFE OPERATION AT 25°C

PARAMETER	MAX	UNITS
PEAK FORWARD CURRENT* (G/R)	140/160	mA
STEADY CURRENT (G/R)	25/30	mA
POWER DISSIPATION	62.5/75	mW
DERATE FROM 25°C	-1.6	mW/°C
OPERATING TEMP.	-40 TO +85	°C
STORAGE TEMP.	-40 TO +85	°C
SOLDERING TEMP.	+260	°C
2.0mm FROM BODY		3 SEC. MAX

* $t < 10\mu\text{s}$



BILL OF MATERIALS:

- SSL-LX3044GD LED.
- SSL-LX3044ID LED.
- SSH-LXH240 HOLDER. MATERIAL: BLACK NYLON 94V-0.

*UNLESS OTHERWISE SPECIFIED TOLERANCES PER DECIMAL PRECISION ARE: X=±1 (±0.039), X.X=±0.5 (±0.020), X.XX=±0.25 (±0.010), X.XXX=±0.127 (±0.005). LEAD SIZE=±0.05 (±0.002), LEAD LENGTH=±0.75 (±0.030). MIN=-0.00 DECIMAL PRECISION MAX.=+0.00 DECIMAL PRECISION UNCONTROLLED DOCUMENT

LUMEX
 Creating LED and LCD Solutions Together™
 290 E. HELEN ROAD
 PALATINE, IL 60067-6976
 PHONE: +1.847.359.2790
 FAX: +1.847.359.6538
 WEB: WWW.LUMEX.COM

T-3mm LED, RIGHT ANGLE FAULT INDICATOR, 565/627nm GREEN/RED LEDS, COLOR DIFFUSED.
 THE SPECIFICATIONS MAY CHANGE AT ANY TIME WITHOUT NOTICE DUE TO NEW MATERIALS OR PRODUCT IMPROVEMENT.
 CONFIDENTIAL INFORMATION
 THE INFORMATION CONTAINED IN THIS DOCUMENT IS THE PROPERTY OF LUMEX INC. EXCEPT AS SPECIFICALLY AUTHORIZED IN WRITING BY LUMEX INC., THE HOLDER OF THIS DOCUMENT SHALL KEEP ALL INFORMATION CONTAINED HEREIN CONFIDENTIAL AND SHALL PROTECT SAME IN WHOLE OR IN PART FROM DISCLOSURE AND DISSEMINATION TO ALL THIRD PARTIES.

DATE:	06.23.11	DRAWN BY:	AB
PAGE:	1 OF 1	CHKD BY:	KF
SCALE:	NTS	APRVD BY:	SS
UNIT:	mm [INCH]		Ⓟ