



2.5" SATA SSD Specification

(XTREME SERIES, 3D TLC)

Version 1.7

Address: 28 Genting Lane, #09-03/4/5 Platinum 28, Singapore 349585

Tel : +65-6493 5035

Fax : +65-6493 5037

Website: <http://www.flexxon.com>

Email: flexxon@flexxon.com

ALL RIGHTS ARE STRICTLY RESERVED. ANY PORTION OF THIS PAPER SHALL NOT BE REPRODUCED, COPIED, OR TRANSLATED TO ANY OTHER FORMS WITHOUT PERMISSION FROM FLEXXON.

TABLE OF CONTENTS

1.	GENERAL DESCRIPTION	1
1.1.	Introduction.....	1
1.2.	Product Overview	2
2.	PRODUCT SPECIFICATIONS.....	3
2.1.	Performance.....	3
2.2.	Power	3
2.3.	TBW (Terabytes Written)	4
2.4.	MTBF	4
2.5.	Data Retention	4
3.	ENVIRONMENTAL SPECIFICATIONS.....	5
4.	ATA COMMANDS.....	6
5.	PIN ASSIGNMENT	8
6.	PHYSICAL DIMENSION	9
7.	ORDERING INFORMATION	10

1. GENERAL DESCRIPTION



1.1. Introduction

FLEXON's XTREME 2.5" SATA Solid State Disk (SSD) has SATA III interface, and is fully compliant with the standard 2.5-inch form factor. It is DRAM-less design with good performance & high reliability, and suitable for embedded applications.

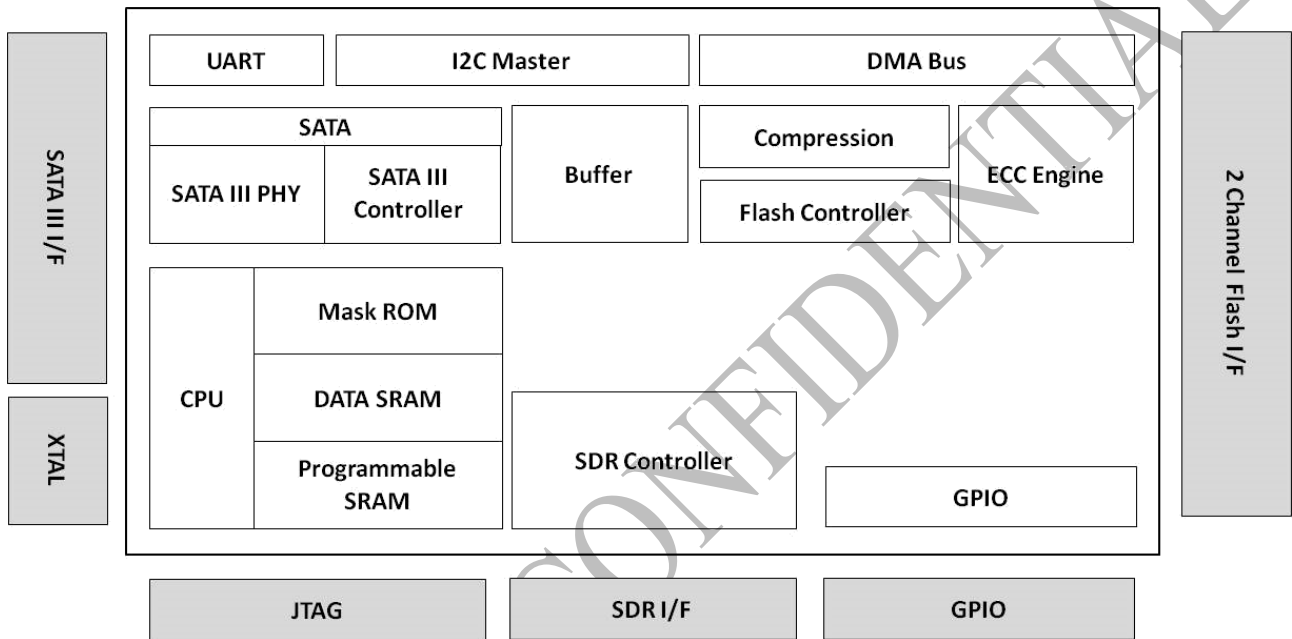


Figure 1-1 XTREME 2.5" SATA SSD Controller Block Diagram

1.2. Product Overview

- ❖ **Flash**
 - 3D TLC
- ❖ **Capacity**
 - 30GB up to 1TB
- ❖ **SATA Interface**
 - Compliant with SATA Revision 3.2
 - Compatible with SATA 1.5Gbps, 3Gbps and 6Gbps interface
- ❖ **ECC Scheme**
 - XTREME applies LDPC (Low Density Parity Check) of ECC algorithm
- ❖ **UART Function**
- ❖ **GPIO**
- ❖ **Support SMART and TRIM commands**
- ❖ **Low Power Management**
- ❖ **Power Loss Protection Algorithm**
- ❖ **Data Compression Technique**
- ❖ **Temperature Range**
 - Operation : 0°C ~ 70°C
 - Storage: -40°C ~ 85°C
- ❖ **RoHS Compliance**

2. PRODUCT SPECIFICATIONS



2.1. Performance

Table 2-1 Performance of XTREME 2.5" SATA SSD

Capacity	Sequential	
	Read (MB/s)	Write (MB/s)
30/32GB	300	130
60/64GB	550	260
80GB	550	400
120/128GB	550	450
240/256GB	550	490
480/512GB	550	490
960GB/1TB	550	490

NOTES:

1. The performance was measured using CrystalDiskMarkv5.0x64 with SATA 6Gbps host.
2. Performance may differ according to flash configuration and platform.

2.2. Power

Table 2-2 Supply Voltage of XTREME 2.5" SATA SSD

Parameter	Rating
Operating Voltage	5V

Table 2-3 Power Consumption of XTREME 2.5" SATA SSD (Unit: mW)

Capacity	Read	Write	Partial	Slumber	Idle	DEVSLP
30/32GB	1,280	1,100	20	14	320	4.9
60/64GB	1,300	1,150	22	16	325	4.9
80GB	1,600	1,720	20	15	325	4.9
120/128GB	1,600	1,720	20	15	325	4.9
240/256GB	1,620	1,750	21	15	325	4.9
480/512GB	1,900	2,000	22	15	335	4.9
960GB/1TB	2,100	2,100	22	16	330	4.9

NOTE:

1. Power Consumption may differ from flash configuration and platform

2.3. TBW (Terabytes Written)

Capacity	TBW
32GB	40
64GB	82
80GB	110
128GB	162
256GB	245
512GB	510
1TB	850

NOTES:

1. TBW may differ according to flash configuration and platform.
2. Samples were tested under JESD218A endurance test method and JESD219A endurance workloads specification.

2.4. MTBF

MTBF, an acronym for Mean Time Between Failures, is a measure of a device's reliability. Its value represents the average time between a repair and the next failure. The predicted result of FLEXXON's XTREME 2.5" SATA SSD is more than 2 million hours.

2.5. Data Retention

- 10 years if > 90% life remaining (@25C)
- 1 year if < 10% life remaining (@25C)

3. ENVIRONMENTAL SPECIFICATIONS



Test Items	Test Conditions
Storage Temperature	-40°C ~ 85°C
Operating Temperature	0°C ~ 70°C
Storage Humidity	40°C, 93% RH
Operating Humidity	40°C, 90% RH
Shock	1500G, Half Sin Pulse Duration 0.5ms
Vibration	80Hz ~ 2000Hz/20G, 20Hz ~ 80Hz/1.52mm, 3 axis/60min
Drop	80cm free fall, 6 face of each unit
Bending	≥ 20N, Hold 1 min/5 times
ESD	24°C, 49% RH, +/-4KV

FLEXXON CONFIDENTIAL

4. ATA COMMANDS



Table 4-1 ATA Command List

Op Code	Description	Op Code	Description		
00h	NOP	C9h	Read DMA without Retry		
06h	Data Set Management	CAh	Write DMA		
10h-1Fh	Recalibrate	CBh	Write DMA without Retry		
20h	Read Sectors	CEh	Write Multiple FUA EXT		
21h	Read Sectors without Retry	E0h	Standby Immediate		
24h	Read Sectors EXT	E1h	Idle Immediate		
25h	Read DMA EXT	E2h	Standby		
27h	Read Native Max Address EXT	E3h	Idle		
29h	Read Multiple EXT	E4h	Read Buffer		
2Fh	Read Log EXT	E5h	Check Power Mode		
30h	Write Sectors	E6h	Sleep		
31h	Write Sectors without Retry	E7h	Flush Cache		
34h	Write Sectors EXT	E8h	Write Buffer		
35h	Write DMA EXT	E9h	READ BUFFER DMA		
37h	Set Native Max Address EXT	EAh	Flush Cache EXT		
38h	CFA Write Sectors Without Erase	EBh	Write Buffer DMA		
39h	Write Multiple EXT	ECh	Identify Device		
3Dh	Write DMA FUA EXT	EFh	Set Features		
3Fh	Write Long EXT	EFh	02h	Enable volatile write cache	
40h	Read Verify Sectors	EFh	03h	Set transfer mode	
41h	Read Verify Sectors without Retry	EFh	05h	Enable the APM feature set	
42h	Read Verify Sectors EXT	EFh	10h	Enable use of SATA features et	
44h	Zero EXT	EFh	10h	02h	Enable DMA Setup FIS Auto-Activate optimization
45h	Write Uncorrectable EXT	EFh	10h	03h	Enable Device-initiated interface power state (DIPM) transitions
47h	Read Log DMA EXT	EFh	10h	06h	Enable Software Settings Preservation (SSP)
57h	Write Log DMA EXT	EFh	10h	07h	Enable Device Automatic Partial to Slumber transitions
60h	Read FPDMA Queued	EFh	10h	09h	Enable Device Sleep
61h	Write FPDMA Queued	EFh	55h		Disable read look-ahead

70h-7Fh	Seek	EFh	66h	Disable reverting to power-on defaults
Op Code	Description	Op Code	Description	
90h	Execute Device Diagnostic	EFh	82h	Disable volatile write cache
91h	Initialize Device Parameters	EFh	85h	Disable the APM feature set
92h	Download Microcode	EFh	90h	Disable use of SATA feature set
93h	Download Microcode DMA	EFh	90h 02h	Disable DMA Setup FIS Auto-Activate optimization
B0h	SMART	EFh	90h 03h	Disable Device-initiated interface power state (DIPM) transitions
B0h	D0h	SMART READ DATA	EFh 90h 06h	Disable Software Settings Preservation (SSP)
B0h	D1h	SMART READ ATTRIBUTE THRESHOLDS	EFh 90h 07h	Disable Device Automatic Partial to Slumber transitions
B0h	D2h	SMART ENABLE/DISABLE ATTRIBUTE AUTOSAVE	EFh 90h 09h	Disable Device Sleep
B0h	D3h	SMART SAVE ATTRIBUTE VALUES	EFh AAh	Enable read look-ahead
B0h	D4h	SMART EXECUTE OFF-LINE IMMEDIATE	EFh CCh	Enable reverting to power-on defaults
B0h	D5h	SMART READ LOG	F1h	Security Set Password
B0h	D6h	SMART WRITE LOG	F2h	Security Unlock
B0h	D8h	SMART ENABLE OPERATIONS	F3h	Security Erase Prepare
B0h	D9h	SMART DISABLE OPERATIONS	F4h	Security Erase Unit
B0h	DAh	SMART RETURN STATUS	F5h	Security Freeze Lock
B0h	DBh	SMART ENABLE/DISABLE AUTOMATIC OFF-LINE	F6h	Security Disable Password
B1h	Device Configuration	F8h		Read Native Max Address
B4h	Sanitize	F9h		Set Max Address
C4h	Read Multiple	F9h	01h	SET MAX SET PASSWORD
C5h	Write Multiple	F9h	02h	SET MAXLOCK
C6h	Set Multiple Mode	F9h	03h	SET MAX UNLOCK
C8h	Read DMA	F9h	04h	SET MAX FREEZE LOCK

5. PIN ASSIGNMENT

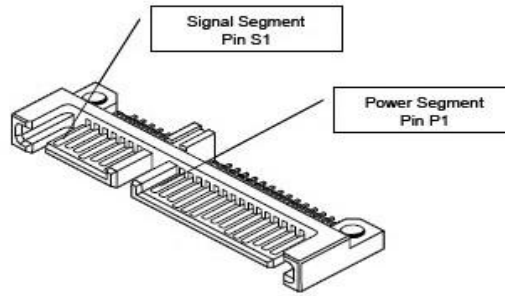


Figure 5-1 XTREME 2.5" SATA SSD Pin Assignment

Table 5-1 Signal Segment Pin Assignment and Descriptions

Pin Number	Function
S1	GND
S2	A+ (Differential Signal Pair A)
S3	A – (Differential Signal Pair A)
S4	GND
S5	B – (Differential Signal Pair B)
S6	B+ (Differential Signal Pair B)
S7	GND

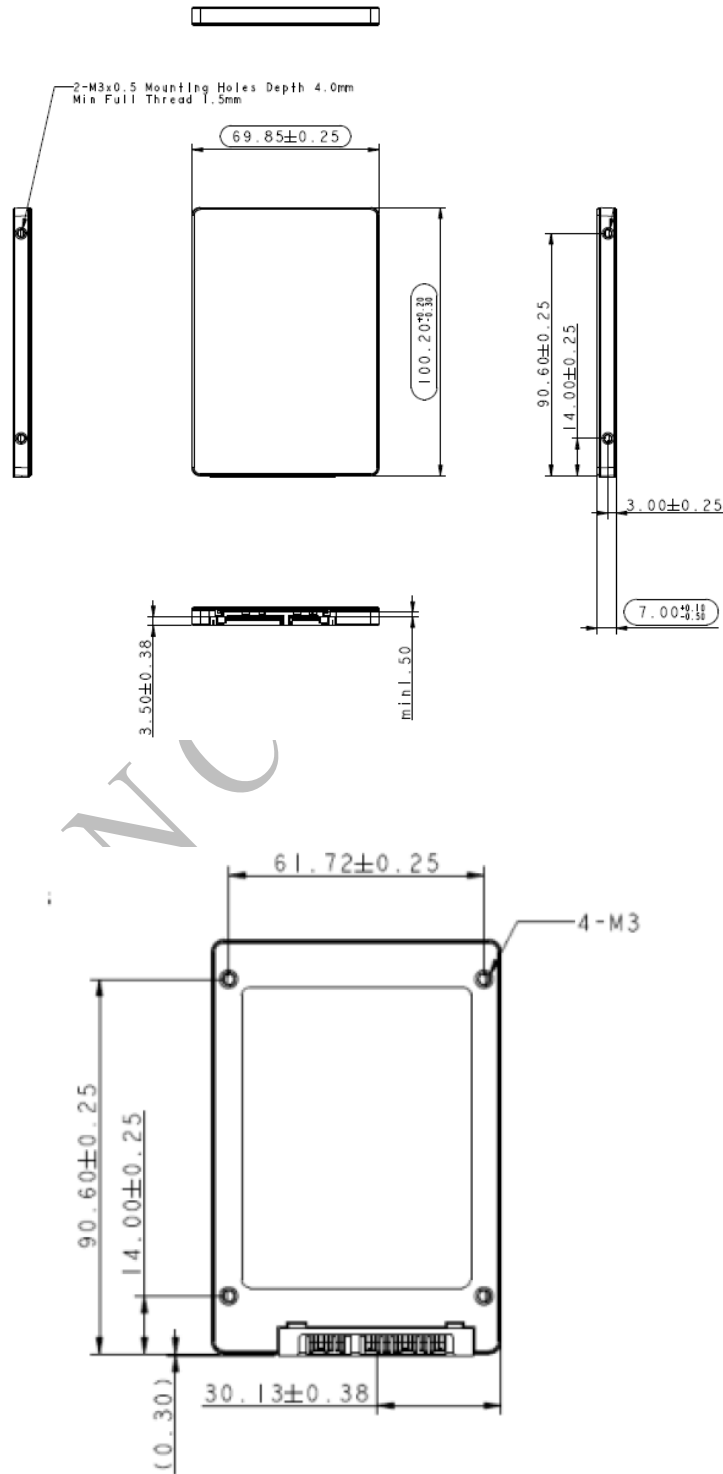
Table 5-2 Power Segment Pin Assignment and Descriptions

Pin Number	Function
P1	Not Used (3.3V)
P2	Not Used (3.3V)
P3	DEVSLP
P4	GND
P5	GND
P6	GND
P7	5V pre-charge
P8	5V
P9	5V
P10	GND
P11	Reserved
P12	GND
P13	Not Used (12V pre-charge)
P14	Not Used (12V)
P15	Not Used (12V)

6. PHYSICAL DIMENSION



Dimension: 100mm (L) x 69.85mm (W) x 7.00mm(H)



7. ORDERING INFORMATION



Capacity	MPN
32GB	FSSB032GBC-SB00
30GB	FSSB030GBC-SB00
64GB	FSSB064GBC-SB00
60GB	FSSB060GBC-SB00
80GB	FSSB080GBC-SB00
128GB	FSSB128GBC-SB00
120GB	FSSB120GBC-SB00
256GB	FSSB256GBC-SB00
240GB	FSSB240GBC-SB00
512GB	FSSB512GBC-SB00
480GB	FSSB480GBC-SB00
1TB	FSSB001TBC-SB00
960GB	FSSB960GBC-SB00

FLEXOXON CONFIDENTIAL

Revision History

Revision	Draft Date	History
1.0	2016/04	First Release
1.1	2016/06	Update 512GB power consumption
1.2	2017/10	Add 1TB
1.3	2018/06	Update TBW
1.4	2018/08	Update Capacity
1.5	2018/11	Update product information
1.6	2019/01	Update template
1.7	2019/12	Update power consumption

FLEXON CONFIDENTIAL