

# Basler Accessories



## Technical Specification

### **CABLE USB 3.0, MICRO-B 90° A1 SL/A**

#### **Order Numbers**

**2000036369**

**2000035994**

**2000035995**

Document Number: DG001589

Version: 02 Language: 000 (English)

Release Date: 31 August 2018

## **Contacting Basler Support Worldwide**

### **Europe, Middle East, Africa**

Basler AG  
An der Strusbek 60–62  
22926 Ahrensburg  
Germany

Tel. +49 4102 463 515  
Fax +49 4102 463 599

[support.europe@baslerweb.com](mailto:support.europe@baslerweb.com)

### **The Americas**

Basler, Inc.  
855 Springdale Drive, Suite 203  
Exton, PA 19341  
USA

Tel. +1 610 280 0171  
Fax +1 610 280 7608

[support.usa@baslerweb.com](mailto:support.usa@baslerweb.com)

### **Asia-Pacific**

Basler Asia Pte. Ltd.  
35 Marsiling Industrial Estate Road 3  
#05–06  
Singapore 739257

Tel. +65 6367 1355  
Fax +65 6367 1255

[support.asia@baslerweb.com](mailto:support.asia@baslerweb.com)

[www.baslerweb.com](http://www.baslerweb.com)

**All material in this publication is subject to change without notice and is copyright  
Basler AG.**

Order Number	Description	Applicable Cameras
2000036369	Data cable USB 3.0, Type A plug to Micro-B plug with screw lock, 90° angled, 1 m	ace USB 3.0
2000035994	Data cable USB 3.0, Type A plug to Micro-B plug with screw lock, 90° angled, 3 m	ace USB 3.0
2000035995	Data cable USB 3.0, Type A plug to Micro-B plug with screw lock, 90° angled, 5 m	ace USB 3.0

Table 1: Cable Types

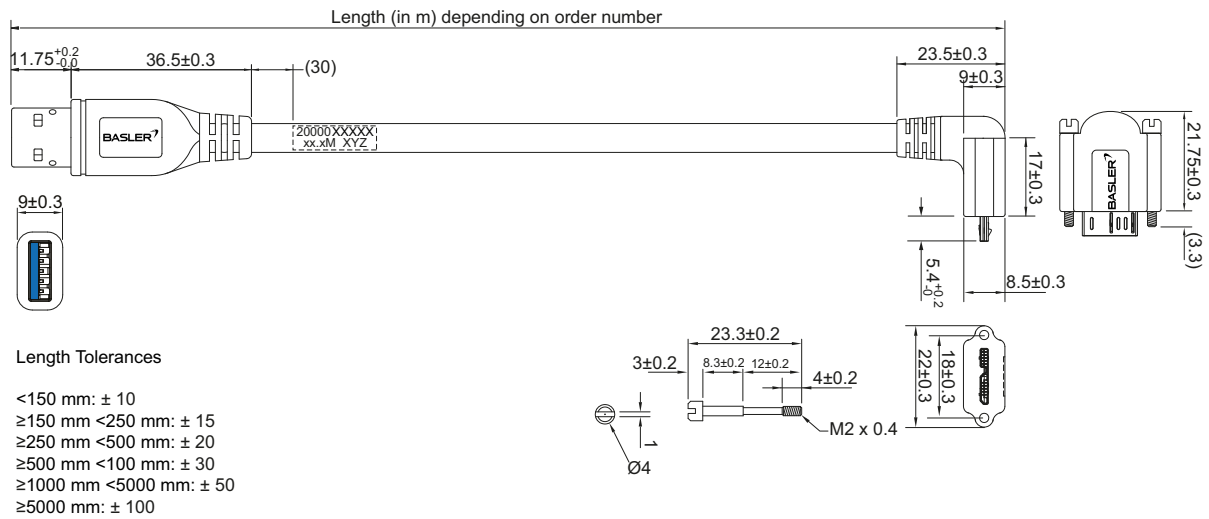


Fig. 1: Cable Overview (Dimensions in mm)

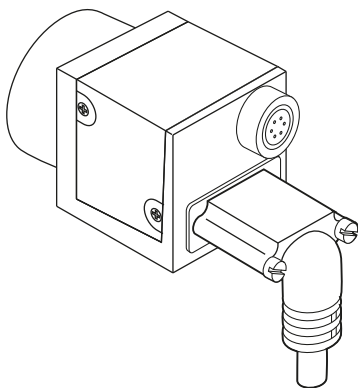


Fig. 2: Angled Cable Plug Connected to ace Camera

## Transfer Rates

	2000036369	2000035994	2000035995
USB 2.0	480 Mbps		
USB 3.0	5 Gbps		

Table 2: Transfer Rates

## Physical Specifications

	2000036369	2000035994	2000035995
Camera-Side Connector	Micro-B with screw lock		
Host-Side Connector	Type A connector, USB-IF-compliant		
Cable Diameter	6.2 mm max.		
Minimum Bending Radius	125 mm, fixed installation		
Minimum Number of Bending Cycles	None (fixed installation only)		
Suitable for Drag Chain Applications	No		
Suitable for Robotics Applications	No		

Table 3: Physical Specifications

## Electrical Specifications

	2000036369	2000035994	2000035995
Maximum Operating Voltage	See the <i>Basler Product Documentation</i> for the power requirements of your camera.		

Table 4: Electrical Specifications

## Environmental Specifications

	2000036369	2000035994	2000035995
Operating Temperature	+70 °C max. (not moving)		

Table 5: Environmental Specifications

## General Information

	2000036369	2000035994	2000035995
RoHS Compliance	Yes		
UL Conformity	Yes		
Warranty	1 year		

Table 6: General Information

### NOTICE

#### Excessive force can damage the cable.

The following actions can damage the individual wires of the cable, which would result in a breakdown in the USB 3.0 data transmission:

- putting heavy loads on the cable
- mechanical shocks or strong vibration
- external influences like scratching or hitting
- bending with less than the minimum bending radius

Handle the cable with care and keep bending to a minimum, e.g., during installation.



The cables are intended for use with the cameras specified in [Table 1](#) only.



When connecting the cable to the camera, consider that the position of the camera's USB 3.0 connector defines the direction the cable is guided within your installation.

Before connecting the cable to the camera, read the topic about your camera model in the *Basler Product Documentation* (AW001406). That topic contains important safety information as well as information about pin assignments, power requirements, installation and use of the camera.

You can download the *Basler Product Documentation* and related documents for your camera free of charge from the Basler website: [www.baslerweb.com](http://www.baslerweb.com)

## Revision History

Doc. ID Number	Date	Changes
DG00158901000	14 Dec 2015	Initial release of this document.
DG00158902000	31 Aug 2018	Updated cover photo. Updated Fig. 1. Updated information in <a href="#">Table 3</a> , <a href="#">Table 4</a> , <a href="#">Table 5</a> , and <a href="#">Table 6</a> . Added notice on <a href="#">page 3</a> .