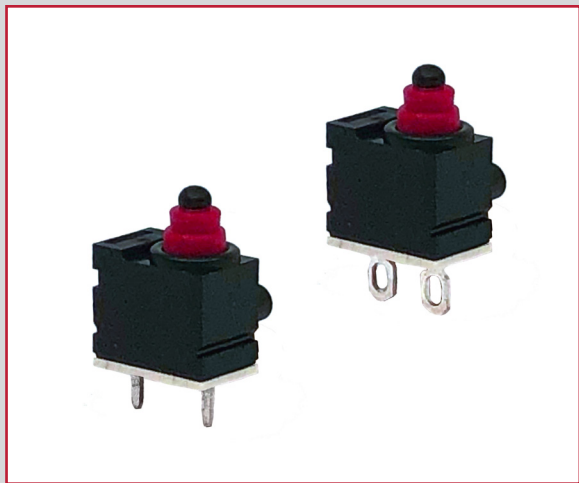
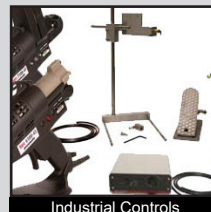


# TD1250 SERIES DETECTOR SWITCH

ANTI-VANDAL SWITCHES  
 DETECTOR SWITCHES  
 DIP SWITCHES  
 KEYLOCK SWITCHES  
 NAVIGATION SWITCHES  
 PUSHBUTTON SWITCHES  
 ROCKER SWITCHES  
 ROTARY SWITCHES  
 SLIDE SWITCHES  
 SNAP ACTION SWITCHES  
 TACTILE SWITCHES  
 TOGGLE SWITCHES  
 CAP OPTIONS



## APPLICATIONS / MARKETS



**RoHS**

## SPECIFICATIONS

**Contact Rating:** 1mA 5VDC ~ 50mA 16VDC  
**Contact Resistance:** Solder: 1Ω MAX. (Initial)  
 PCB: 500 mΩ MAX. (Initial)  
**Contact Arrangement:** SPST N.O.  
**Insulation Resistance:** 100 MΩ Min. @ 500VDC  
**Dielectric Strength:** 500VAC per minute  
**Electrical Life:** 300,000 Cycles MIN. (5VDC 1mA)  
 200,000 Cycles MIN. (12VDC 50mA)  
 150,000 Cycles MIN. (16VDC 50mA)  
**Mechanical Life:** 500,000 Cycles MIN.  
**Operating/Storage Temperature:** -40°C to 85°C  
**Moisture Protection:** IP67  
**Actuator Force:** 160gf MAX.

## FEATURES & BENEFITS

- Compact size
- IP67 ingress protection
- PCB terminal type
- Multiple actuator options

## PART NUMBER CONFIGURATOR

Series

TD1250

Acuator

A - Pin Plunger  
 B - Lever 1 (straight)  
 C - Lever 2 (S shape)

Actuator Force

F160 - 160gf

Contact Material

Q - Silver

Termination

S1 - Solder  
 P1 - PCB

Specifications subject to change without notice 2.7.2023



**E-SWITCH®**

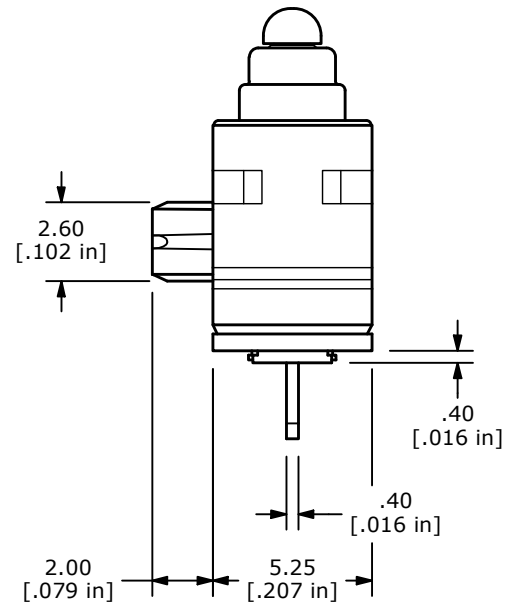
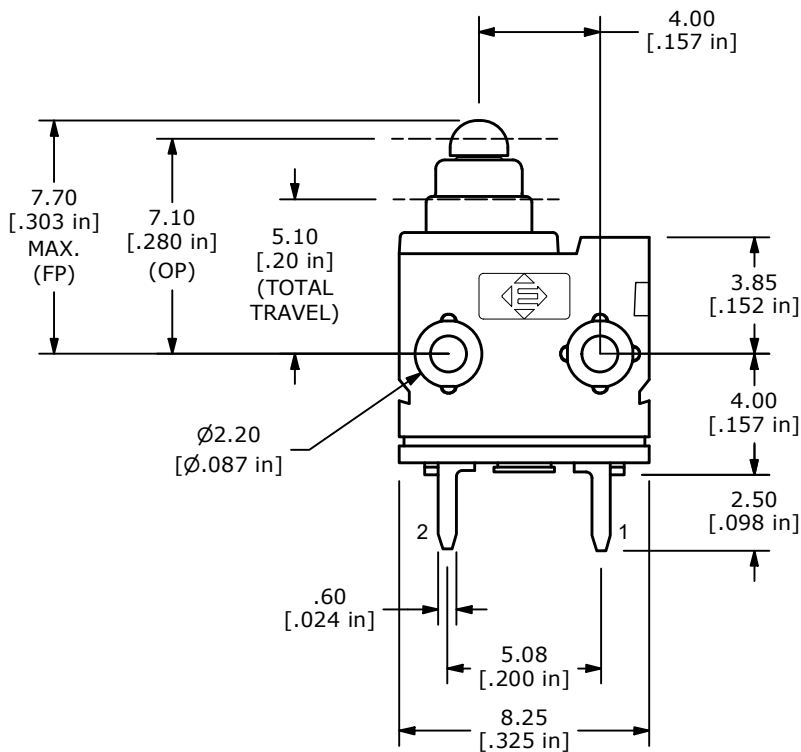
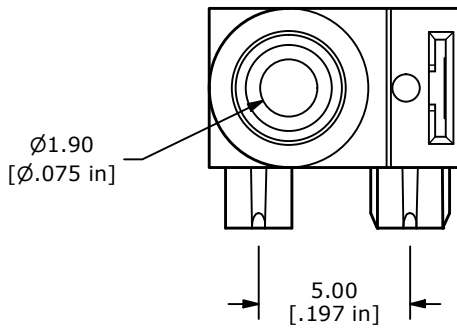
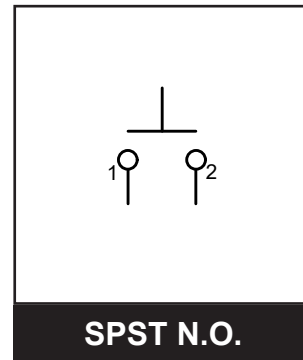
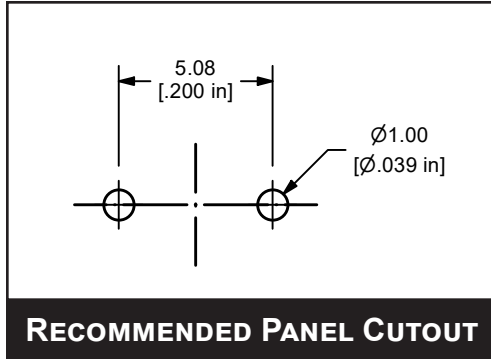
www.e-switch.com

800.867.2717

1

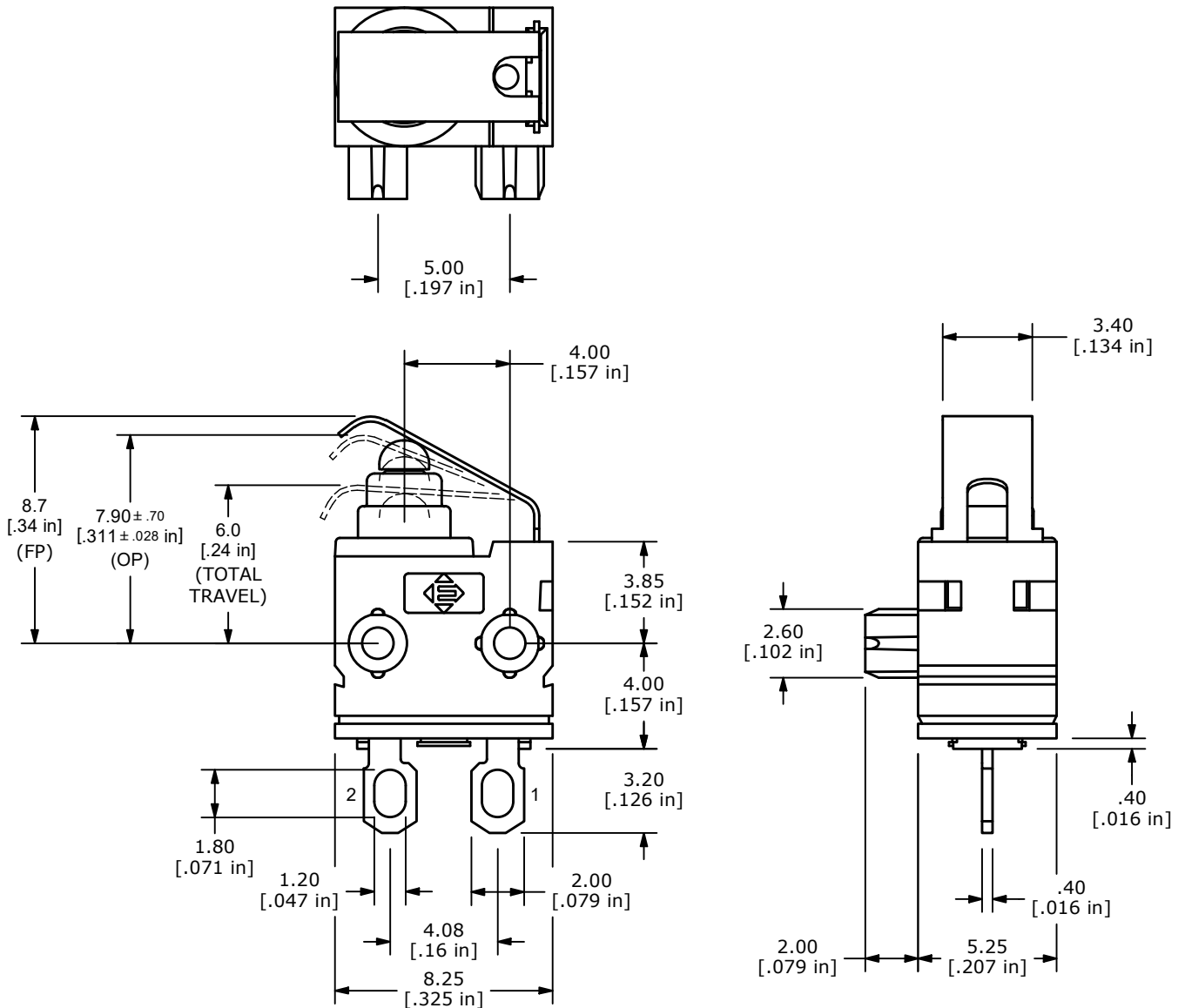
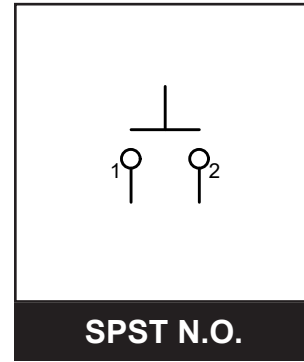
# TD1250 SERIES DETECTOR SWITCH

## BODY DIMENSIONS PIN WITH PCB TERMINALS



# TD1250 SERIES DETECTOR SWITCH

## BODY DIMENSIONS LEVER 1 WITH SOLDER TERMINALS



# TD1250 SERIES DETECTOR SWITCH

## BODY DIMENSIONS LEVER 2 WITH PCB TERMINALS

