

**DESIGNED & DIMENSIONED
IN MILLIMETERS**

USBR-B-S-X-O-TH-X

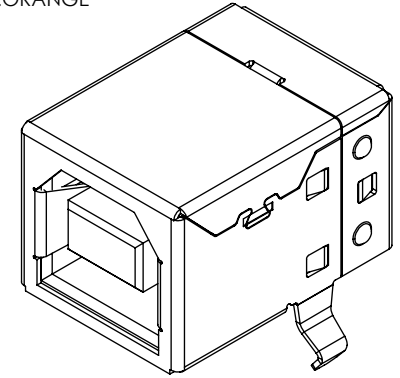
E&I OPTION
 -R: ROHS COMPLIANT
 (-R CALLOUT ONLY AVAILABLE
 TO EXISTING CUSTOMERS)
 (SEE NOTE 4)

CONFIGURATION
 -S: SINGLE

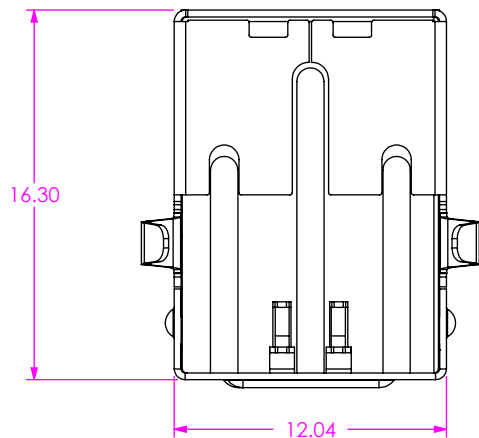
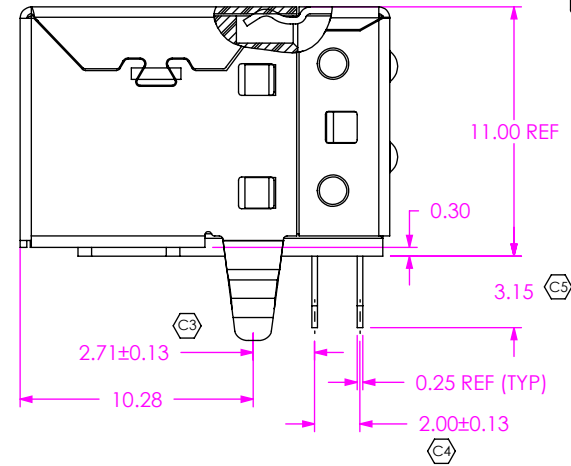
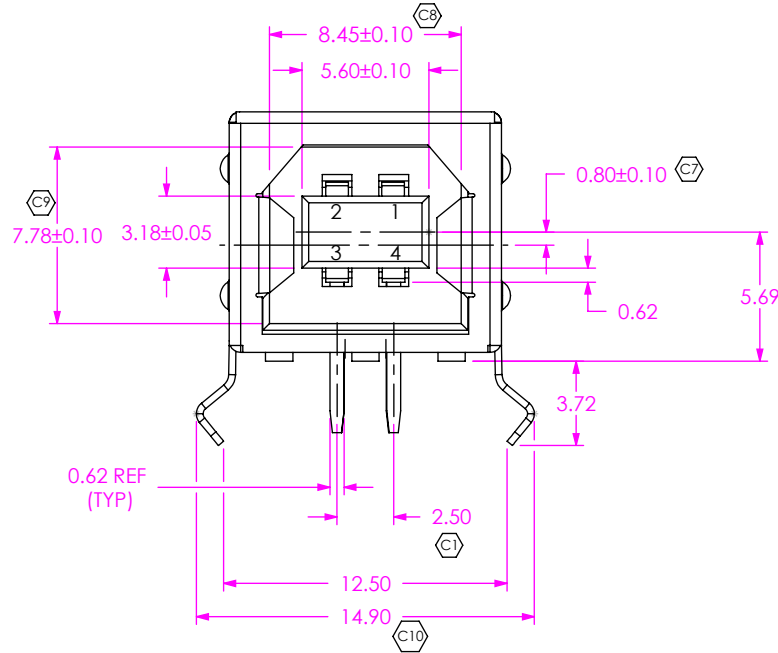
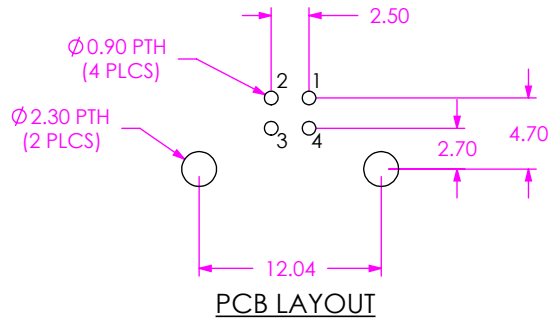
TERMINATION
 -TH: THROUGH HOLE

PLATING SPECIFICATION
 -F: 1μ" MIN GOLD IN CONTACT AREA,
 MATTE TIN ON TAIL
 -S: 30 μ" GOLD IN CONTACT AREA,
 MATTE TIN ON TAIL

COLOR
 -O: ORANGE



DO NOT
SCALE FROM
THIS PRINT



NOTES:

1. INCREASED RETENTION ,ORANGE INSULATOR COLOR.
2. C REPRESENTS A CRITICAL DIMENSION.
3. WHEN MATED CONNECTION MUST WITHSTAND 15N DEMATING FORCE FOR 1 MINUTE MINIMUM.
4. PARTS ARE ROHS COMPLIANT WITH OR WITHOUT -R OPTION
5. TRAYS ARE STANDARD PACKAGING
6. ORDERS WILL BE PACKAGED ACCORDING TO THE SAMTEC PACKAGING EFFICIENCY STANDARDS (SPES) FOUND ON WWW.SAMTEC.COM

UNLESS OTHERWISE SPECIFIED,
 DIMENSIONS ARE IN MILLIMETERS.
 TOLERANCES ARE:
 DECIMALS ANGLES
 X.X: ±0.3 2°
 X.XX: ±0.25
 X.XXX: ±0.13

PROPRIETARY NOTE

THIS DOCUMENT CONTAINS CONFIDENTIAL AND PROPRIETARY INFORMATION AND ALL DESIGN, MANUFACTURING, REPRODUCTION, USE, PATENT RIGHTS AND SALES RIGHTS ARE EXPRESSLY RESERVED BY SAMTEC, INC. THIS DOCUMENT SHALL NOT BE DISCLOSED, IN WHOLE OR PART, TO ANY UNAUTHORIZED PERSON OR ENTITY NOR REPRODUCED, TRANSFERRED OR INCORPORATED IN ANY OTHER PROJECT IN ANY MANNER WITHOUT THE EXPRESS WRITTEN CONSENT OF SAMTEC, INC.

MATERIAL: DO NOT SCALE DRAWING SHEET SCALE: 2:1
 INSULATOR: PA 9T COLOR: PANTONE 2028C
 CONTACT : PHOS BRONZE
 REAR SHIELD: NICKEL PLATED STEEL
 FRONT SHIELD: NICKEL PLATED PHOS BRONZE
 MAX FLASH ALLOWED: 0.05
 MAX GATE VESTIGE: 0.05
 F:\D\WG\MISC\MKTG\USBR-B-S-X-O-TH-X-MKT.SLDDRW



520 PARK EAST BLVD, NEW ALBANY, IN 47150
 PHONE: 812-944-6733 FAX: 812-948-5047
 e-Mail: info@SAMTEC.com code: 55322

DESCRIPTION:
 HIGH RETENTION USB TYPE B THROUGH HOLE

DWG. NO. **USBR-B-S-X-O-TH-X**

BY: STEVEN XU 10-20-2010 SHEET 1 OF 1