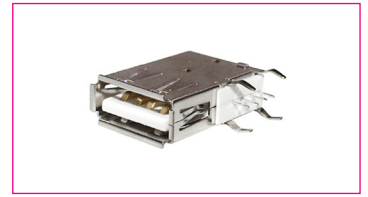


**SPECIFICATION:**

Operating Voltage (Max.):	30 V
Operating Current (Nom.):	1 A
Operating Temperature:	-55°C to 105°C
Insulation Resistance (Min.):	1000 MΩ
Contact Resistance (Max.):	30 mΩ
Dielectric Strength:	500 Vac
Insertion Force (Max.):	35 N
Extraction Force:	10 N



**MATERIAL:**

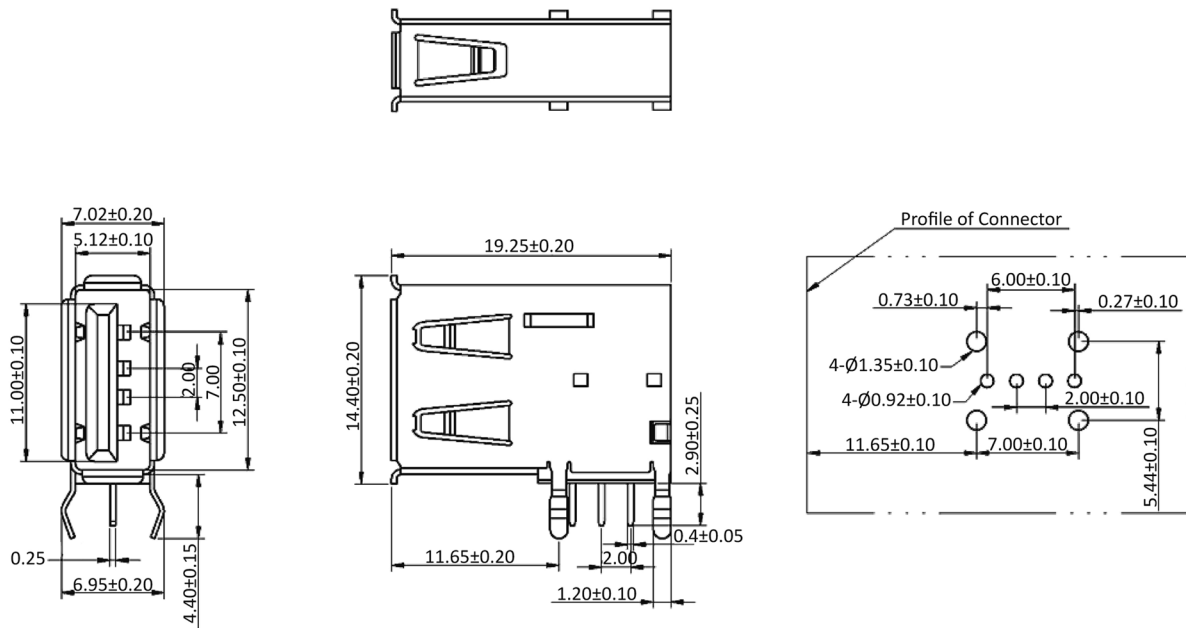
Material (Terminal):	copper alloy, tin plated
Material (Housing):	copper alloy, nickel plated
Flammability Class:	UL 94 V-0
Material (Insulation):	PBT
Material (Contact Area):	copper alloy, gold plated

**HANDLING:**

Packaging:	tray
------------	------

**TOLERANCE:**

.X:	± 0.25
.XX:	± 0.20



**Order Information**

Identifier:

**USBBUVA**

Socket type A vertical angled