

SPECIFICATION:

Operating Current (Nom.):	1 A
Operating Temperature:	-25°C to 85°C
Insulation Resistance (Min.):	100 MΩ
Contact Resistance (Max.):	30 mΩ
Dielectric Strength:	100 Vac
Insertion Force (Max.):	35 N
Extraction Force:	8 N



MATERIAL:

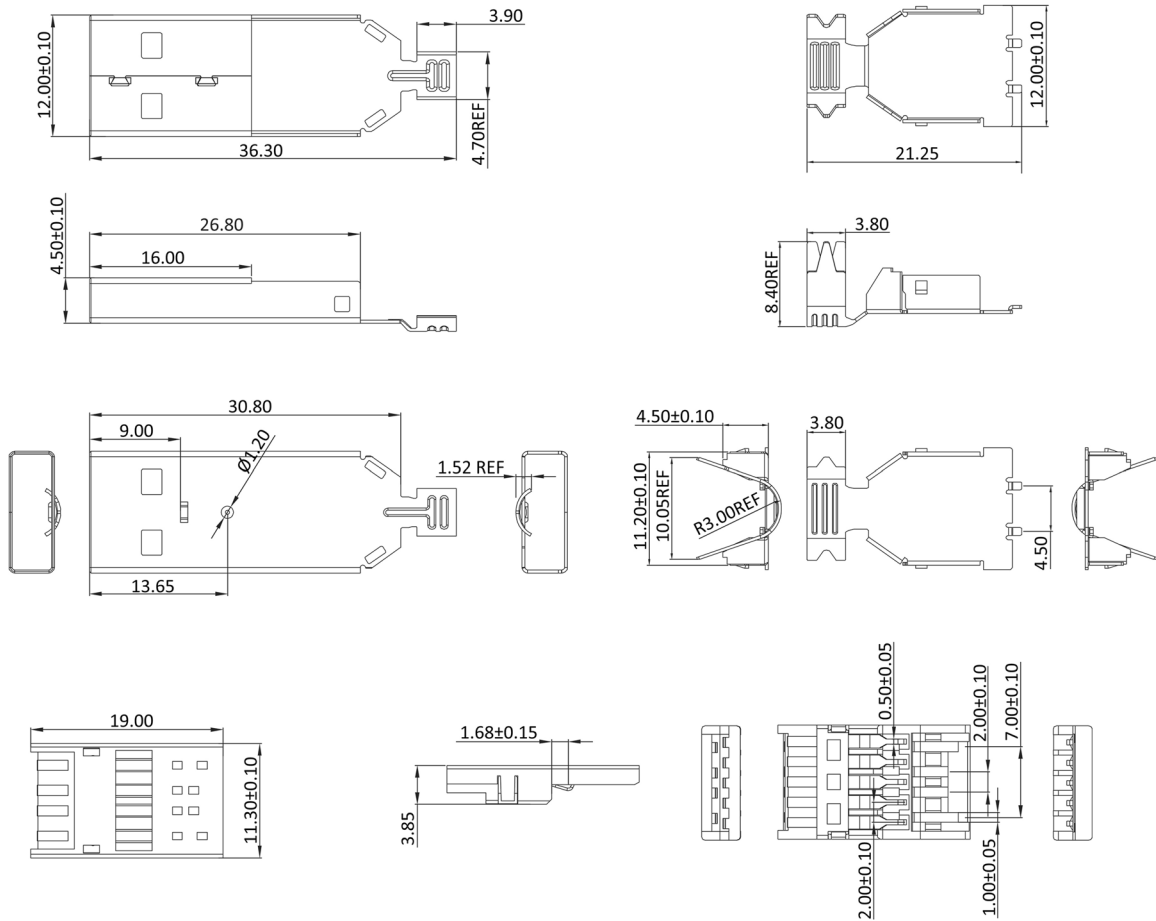
Material (Terminal):	copper alloy, tin plated
Material (Housing):	SPCC, nickel plated
Material (Insulation):	PBT
Flammability Class:	UL 94 V-0
Material (Contact Area):	copper alloy, gold plated

HANDLING:

Packaging:	bulk
------------	------

TOLERANCE:

.X:	± 0.25
.XX:	± 0.20



Order Information

Identifier:

U3SALN

Cable plug type A