

USB Connectors USB 3.0 Sockets Type A

PCB, angled



SPECIFICATION:

| | |
|-------------------------------|---------------|
| Operating Voltage (Max.): | 30 V |
| Operating Current (Nom.): | 1.5 A |
| Operating Temperature: | -55°C to 85°C |
| Insulation Resistance (Min.): | 100 MΩ |
| Contact Resistance (Max.): | 30 mΩ |
| Dielectric Strength: | 100 Vac |
| Insertion Force (Max.): | 35 N |
| Extraction Force: | 8 N |



MATERIAL:

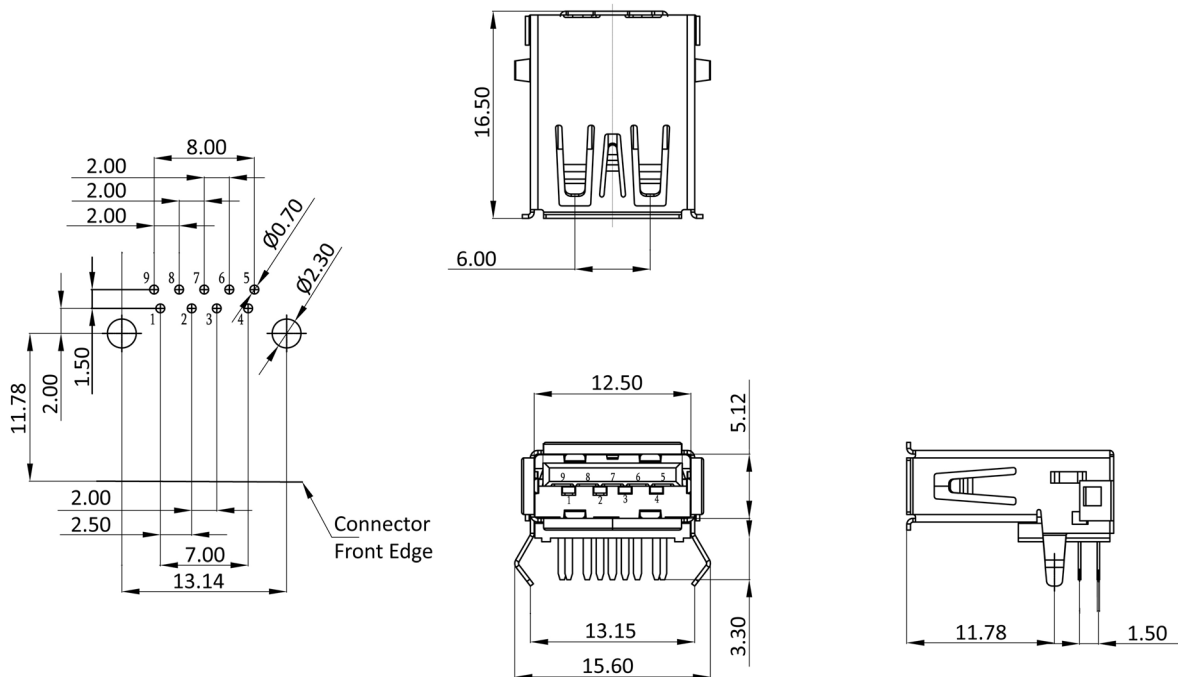
| | |
|--------------------------|---------------------------|
| Material (Terminal): | copper alloy, tin plated |
| Material (Housing): | metal, nickel plated |
| Flammability Class: | UL 94 V-0 |
| Material (Insulation): | PBT |
| Material (Contact Area): | copper alloy, gold plated |

HANDLING:

| | |
|------------|------|
| Packaging: | tray |
|------------|------|

TOLERANCE:

| | |
|------|--------|
| .X: | ± 0.25 |
| .XX: | ± 0.20 |



Order Information

Identifier:

U3BU1AN

Socket type A angled