

# USB Connectors USB 3.1 Sockets Type C

SMT, Shell DIP vertical



### SPECIFICATION:

Operating Current (Max.): 5 A VBUS pin  
 Operating Current (Max.): 0.25 A other pins  
 Operating Temperature: -55°C to 85°C  
 Insulation Resistance (Min.): 100 MΩ  
 Contact Resistance (Max.): 40 mΩ  
 Dielectric Strength: 100 Vac  
 Insertion Force (Max.): 20 N  
 Extraction Force: 20 N  
 Operating Life in Mating Cycles (Min.): 10000

T & R  
tape and reel

SMT

### MATERIAL:

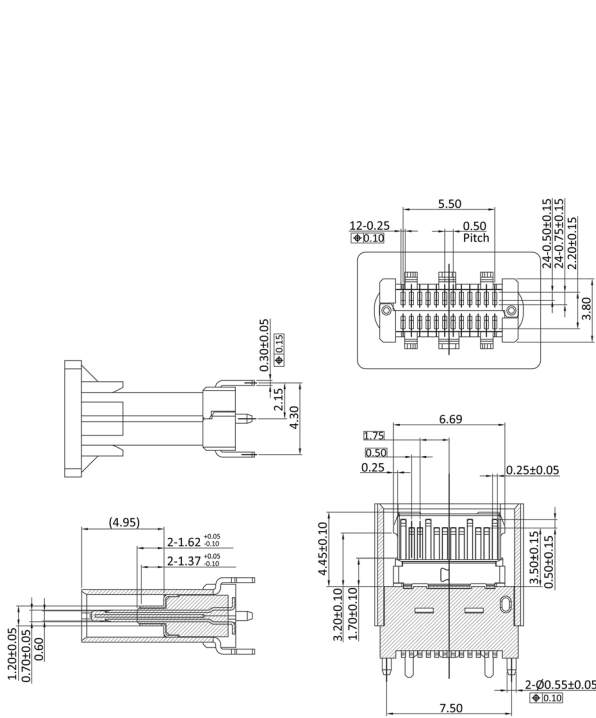
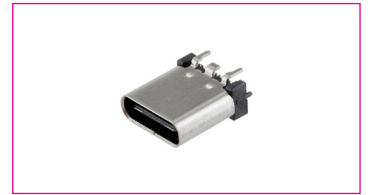
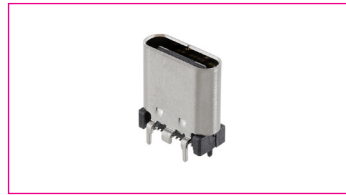
Material (Terminal): copper alloy, tin plated  
 Material (Housing): steel, nickel plated  
 Material (Insulation): thermoplastic  
 Flammability Class: UL 94 V-0  
 Material (Contact Area): copper alloy, gold plated

### HANDLING:

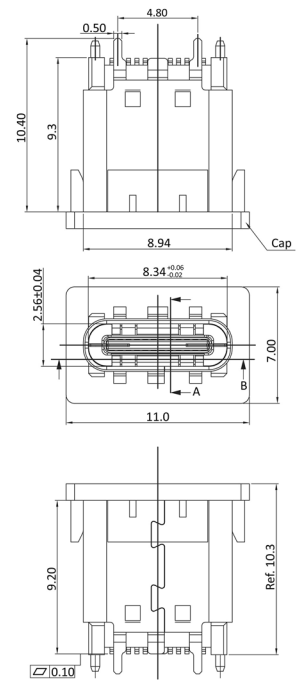
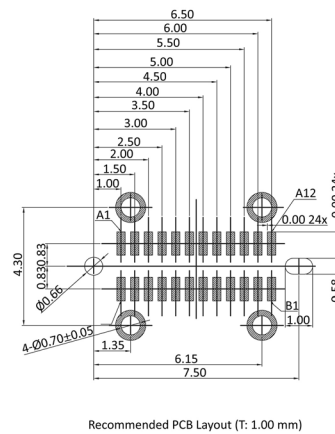
Packaging: taped

### TOLERANCE:

.X: ± 0.25  
 .XX: ± 0.20



A		B	
1	GND	12	GND
2	SSTxp1	11	SSRXp1
3	SSTxn1	10	SSRXn1
4	VBUS	9	VBUS
5	CC1	8	CC1
6	Dp1	7	Dp1
7	Dn1	6	Dn1
8	RFU1	5	RFU1
9	VBUS	4	VBUS
10	SSRXn2	3	SSRXn2
11	SSRXp2	2	SSRXp2
12	GND	1	GND



### Order Information

Identifier:	Contact Plating:	Version:
U31BU1C	G	V
USB 3.1 Socket Type C	gold plated	vertical