

**SPECIFICATION:**

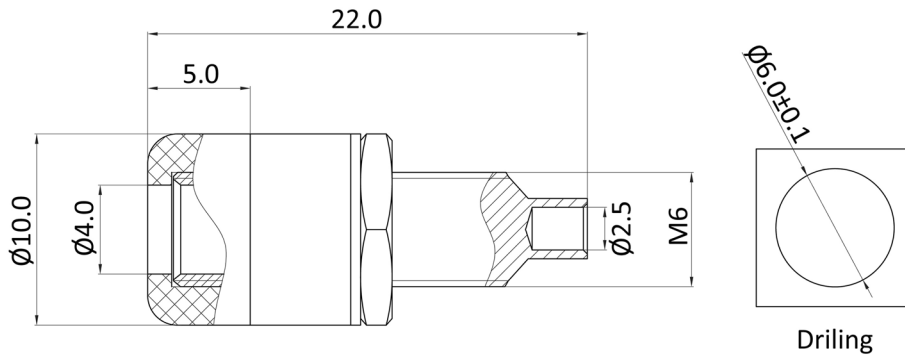
Operating Voltage (Max.): 60 Vdc  
 Operating Current (Nom.): 24 A  
 Operating Temperature: -20°C to 90°C  
 Insulation Resistance (Min.): 500 MΩ  
 Contact Resistance (Max.): 5 mΩ

**MATERIAL:**

Material (Terminal): brass, nickel plated  
 Material (Housing): ABS  
 Material (Contact Area): brass, nickel plated

**HANDLING:**

Terminal: solder  
 Packaging: bulk  
 PU: 500 piece(s)



**Order Information**

Identifier:
<b>TB40</b>
Telephone socket 4.0 mm

Colour:
#
SW: black
RT: red
BL: blue
GE: yellow
GN: green
WS: white