

**SPECIFICATION:**

Operating Current (Nom.): 1 A  
 Operating Temperature: -55°C to 85°C  
 Insulation Resistance (Min.): 1000 MΩ  
 Contact Resistance (Max.): 30 mΩ

**MATERIAL:**

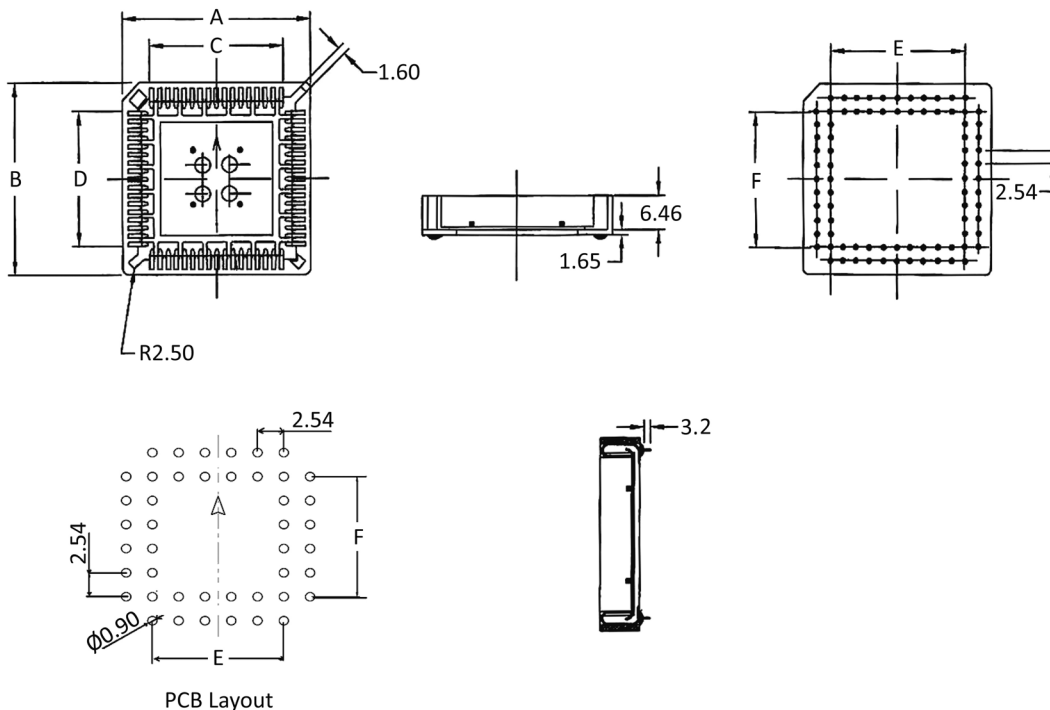
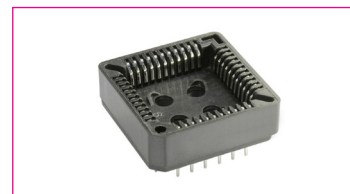
Material (Terminal): phosphor bronze, tin plated  
 Material (Housing): PBT  
 Flammability Class: UL 94 V-0  
 Material (Contact Area): phosphor bronze, tin plated

**HANDLING:**

Processing: wave soldering  
 Packaging: tube  
 PU: 33 piece(s)

**TOLERANCE:**

.X: ± 0.30  
 .XX: ± 0.20



**Dimensions**

Number of Contacts:	A:	B:	C:	D:	E:	F:
28	18.04	18.04	7.62	7.62	7.62	7.62
32	18.04	20.54	7.62	10.16	7.62	10.16
44	23.48	23.48	12.7	12.7	12.7	12.7
52	25.88	25.88	15.24	15.24	15.24	15.24
68	31.66	31.66	20.32	20.32	20.32	20.32
84	36.66	36.66	25.4	25.4	25.4	25.4

**Order Information**

Identifier:	No. of Contacts:
PLCC	#
PLCC Socket	28: 28 poles
	32: 32 poles
	44: 44 poles
	52: 52 poles
	68: 68 poles
	84: 84 poles