

SPECIFICATION:

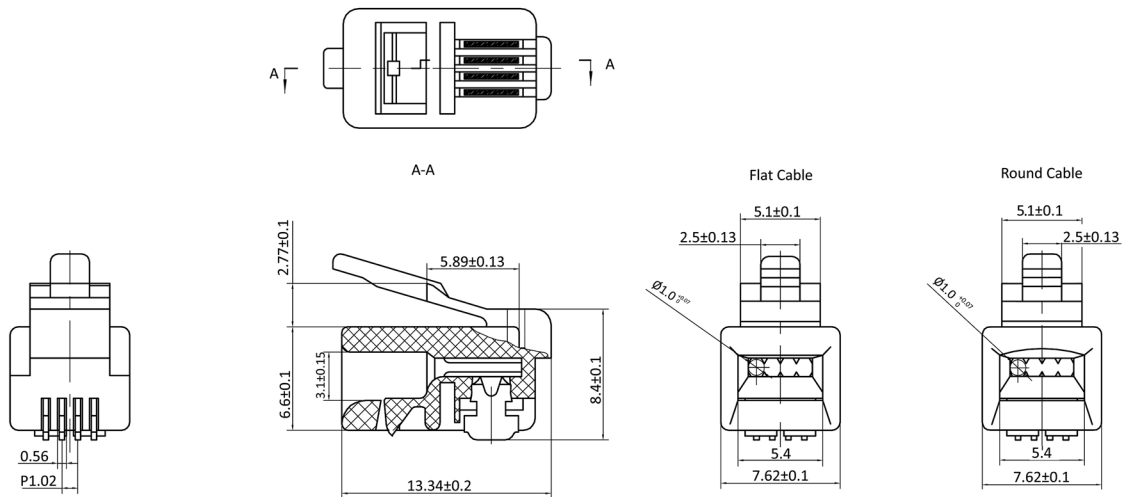
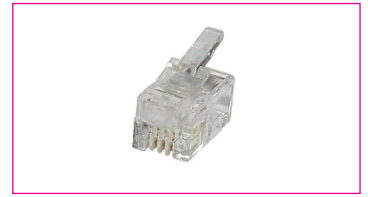
Operating Current (Nom.):	1.5 A
Operating Temperature:	-40°C to 70°C
Insulation Resistance (Min.):	1000 MΩ
Contact Resistance (Max.):	40 mΩ
Dielectric Strength:	1,000 Vac

MATERIAL:

Material (Terminal):	phosphor bronze, gold plated
Material (Housing):	polycarbonate
Flammability Class:	UL 94 V-2
Material (Contact Area):	phosphor bronze, gold plated

HANDLING:

Packaging:	bulk
------------	------



Order Information

Identifier:

MPL44

Modular plug 4P4C unshielded

Version:

#

empty: for flat cable

R: for round cable