

SPECIFICATION:

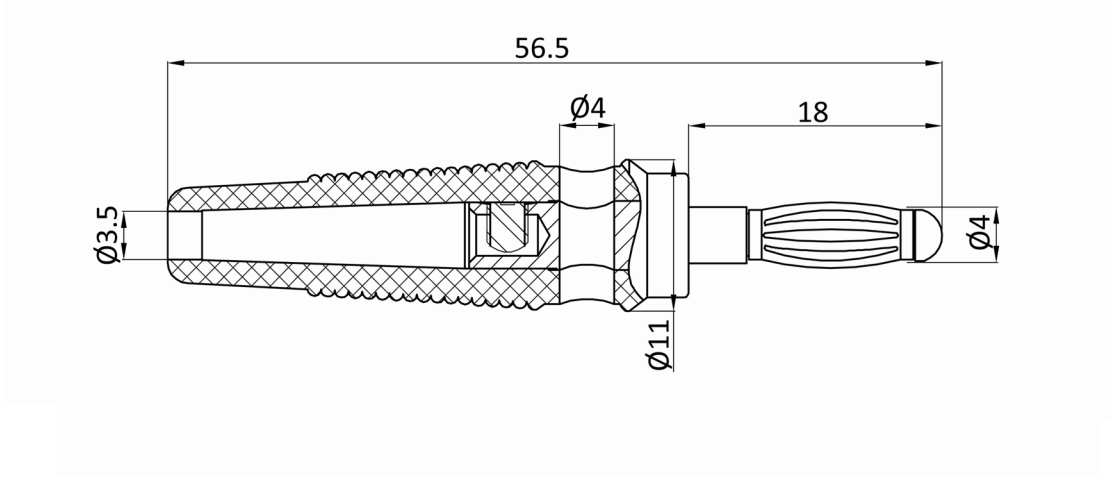
Operating Voltage (Max.): 60 Vdc
 Operating Current (Max.): 24 A
 Operating Temperature: -10°C to 70°C
 Contact Resistance (Max.): 5 mΩ
 Measuring Category: 0

MATERIAL:

Material (Housing): PVC
 Material (Contact Area): copper alloy, nickel plated

HANDLING:

Terminal: screw



Order Information

Identifier:

KFS40

Colour:

#

Spring cage plug 4 mm with transverse hole

SW: black

RT: red

BL: blue

GE: yellow

GN: green