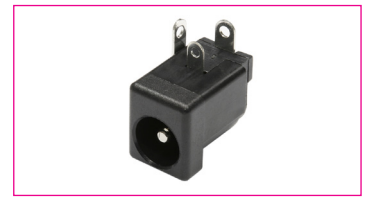


SPECIFICATION:

Operating Voltage (Max.):	12 Vdc
Operating Current (Nom.):	2 Adc
Insulation Resistance (Min.):	100 MΩ (250 Vdc)
Contact Resistance (Max.):	30 mΩ
Operating Life in Mating Cycles (Min.):	4000
Dielectric Strength:	500 Vac
Insertion Force (Max.):	3 N to 30 N
Extraction Force:	3 N to 30 N



MATERIAL:

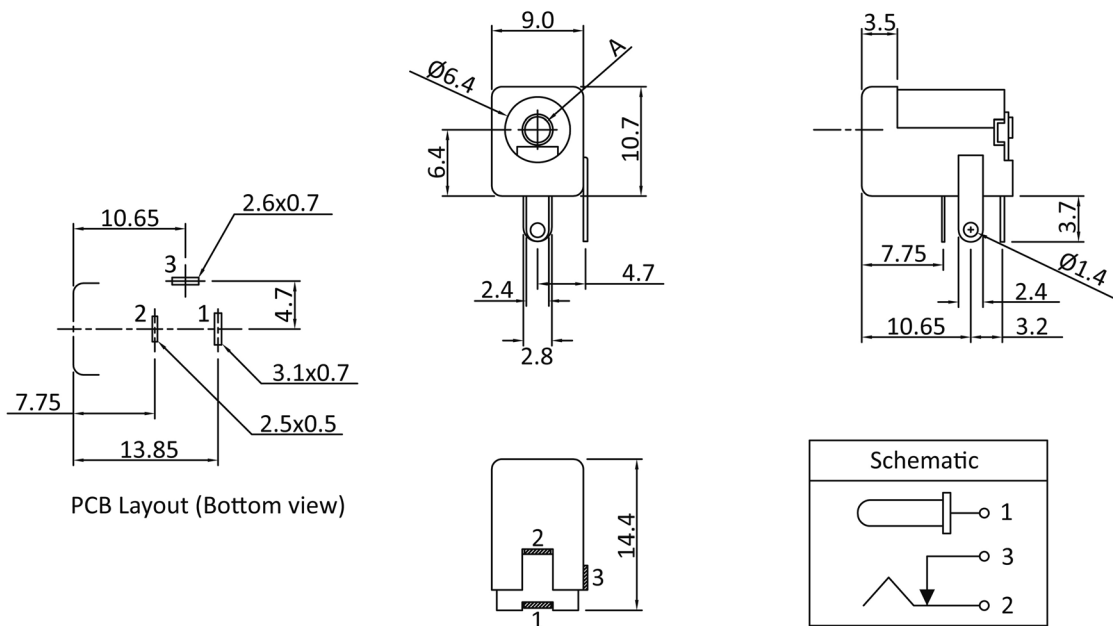
Material (Terminal):	copper alloy, tin plated
Material (Housing):	PBT
Flammability Class:	UL 94 V-0
Material (Contact Area):	brass, nickel plated

HANDLING:

Packaging:	bulk
------------	------

TOLERANCE:

.X:	± 0.30
-----	--------



Order Information

Identifier: DC14JD	Diameter Pin (A): #
DC socket angled pcb mount	20: diameter 2.0 mm * 25: diameter 2.5 mm

* = Standard