

**SPECIFICATION:**

Operating Voltage (Max.): 100 V  
 Operating Current (Nom.): 2 A  
 Operating Temperature: -25°C to 85°C  
 Insulation Resistance (Min.): 1000 MΩ  
 Contact Resistance (Max.): 10 mΩ  
 Dielectric Strength: 800 Vac



**MATERIAL:**

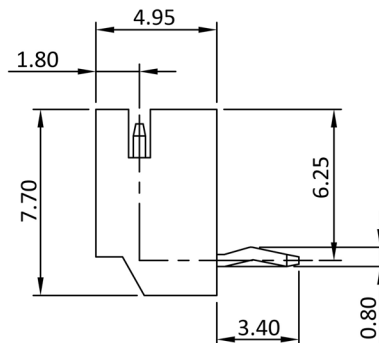
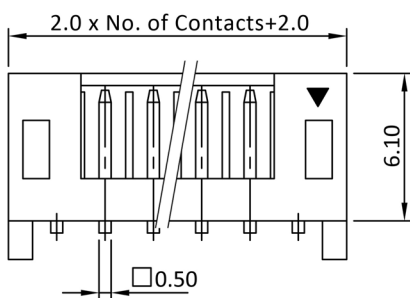
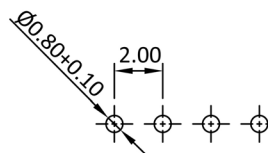
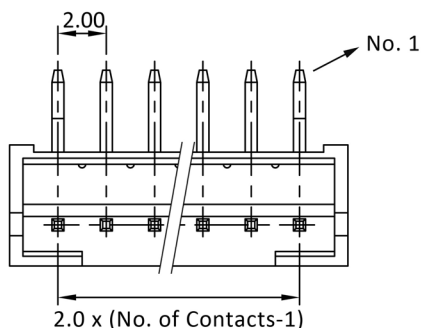
Material (Housing): nylon 66  
 Material (Terminal): brass, tin plated  
 Material (Contact Area): brass, tin plated

**HANDLING:**

Packaging: bulk

**TOLERANCE:**

.X: ± 0.25  
 .XX: ± 0.20



**Order Information**

Identifier:	No. of Contacts:	Version:	Pitch:
<b>CSV</b>	<b>#</b>	<b>W</b>	<b>2</b>
Wafer series CVG pitch 2.0 mm single row angled	2: 1 x 2 3: 1 x 3 4: 1 x 4 : 16: 1 x 16	angled	pitch 2.0 mm