

Board-to-Wire Connectors Pitch 2.0 mm Series CVG

Wafers for housing CVG single row,
straight



SPECIFICATION:

Operating Voltage (Max.):	100 V
Operating Current (Nom.):	2 A
Operating Temperature:	-25°C to 85°C
Insulation Resistance (Min.):	1000 MΩ
Contact Resistance (Max.):	10 mΩ
Dielectric Strength:	800 Vac

MATERIAL:

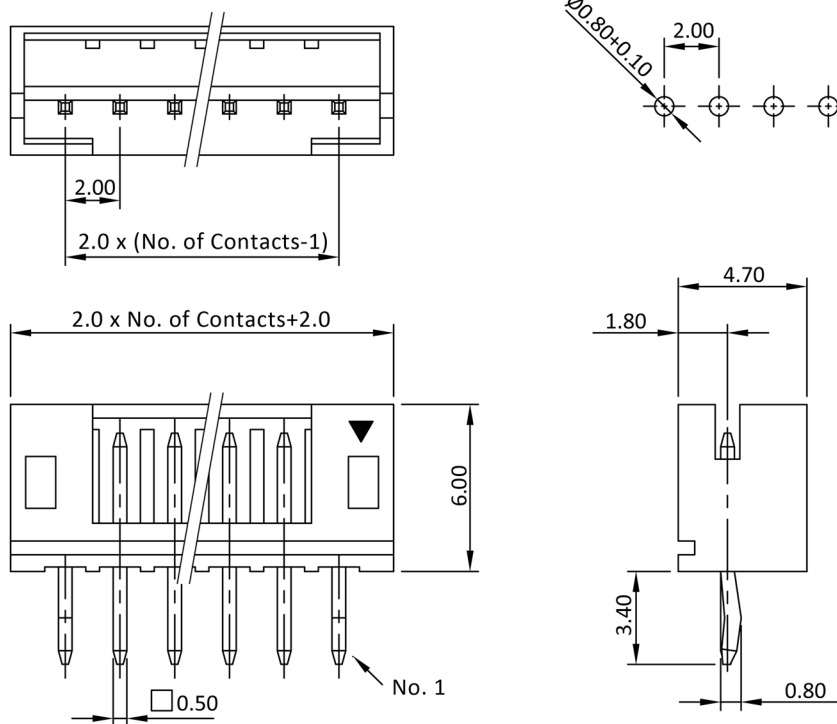
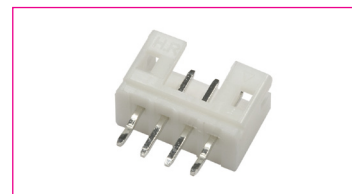
Material (Housing):	nylon 66
Material (Terminal):	brass, tin plated
Material (Contact Area):	brass, tin plated

HANDLING:

Packaging:	bulk
------------	------

TOLERANCE:

.X:	± 0.25
.XX:	± 0.15



Order Information

Identifier:	No. of Contacts:	Version:	Pitch:
CSV	#	G	2
Wafer series CVG pitch 2.0 mm single row straight	2: 1 x 2	straight	pitch 2.0 mm
	3: 1 x 3		
	4: 1 x 4		
	:		
	10: 1 x 10		