

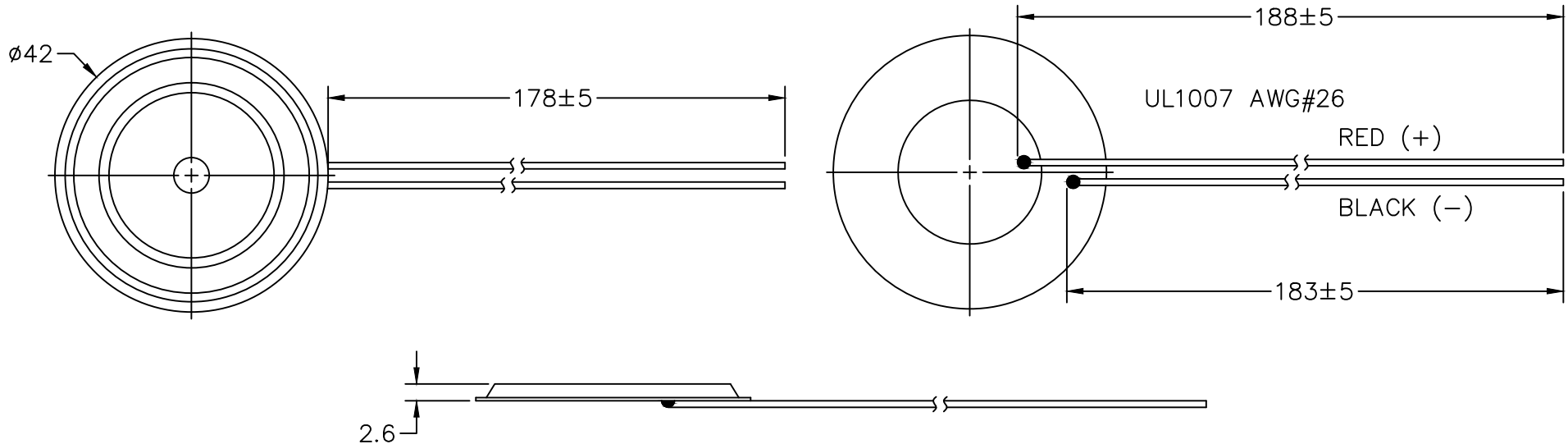
THIS DOCUMENT CONTAINS DATA PROPRIETARY TO PROJECTS UNLIMITED, INC. ANY USE OR REPRODUCTION, IN ANY FORM, WITHOUT PRIOR WRITTEN PERMISSION OF PROJECTS UNLIMITED, INC. IS PROHIBITED.
© 2005, Projects Unlimited Inc.

SPECIFICATIONS

PARAMETERS	VALUES	UNITS
OPERATING VOLTAGE (MAX)	30	Vp-p
CAPACITANCE @ 1KHz/1V	55,000±30%	pF
RESONANT FREQUENCY	900±200	Hz
RESONANT IMPEDANCE (MAX)@ 1KHz	2,000±20%	Ohm
OPERATING TEMPERATURE	-20 ~ +60	°C
STORAGE TEMPERATURE	-30 ~ +70	°C
HOUSING MATERIAL	ABS(WHITE)	-
PLATE MATERIAL	ALLOY	-
TERMINAL MATERIAL	LEAD WIRE	-
WEIGHT	4	grams


REVISIONS

LTR	DESCRIPTION	DATE	APPROVED
-	RELEASED FROM ENGINEERING	4/20/12	



NOTES:

1. ALL DIMENSIONS ARE IN MILLIMETERS.
2. SPECIFICATION SUBJECT TO CHANGE OR WITHDRAWAL WITHOUT NOTICE.
3. THIS PART IS RoHS 2011/65/EU COMPLIANT.

UNLESS OTHERWISE SPECIFIED: DIMENSIONS ARE IN MILLIMETERS, TOLERANCES ARE ± 0.5 AND ANGLES ARE $\pm 3^\circ$.		 <p>pui audio inc a projects unlimited company</p>	3541 Stop Eight Road Dayton, Ohio 45414
APPROVALS	DATE		
DRAWN	J.D.	4/12	PIEZO SPEAKER DRAWING NO. APS4209-LW178-2-R
CHECKED	M.L.	4/12	
APPROVED	B.R.	4/12	
FILE NAME	APS4209-LW178-2-R.DWG		SIZE: A SCALE: N.T.S.
			SHEET 1 OF 1