

1

2

3

4

5

6

7

A

B

C

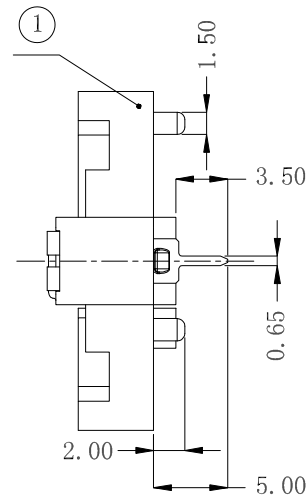
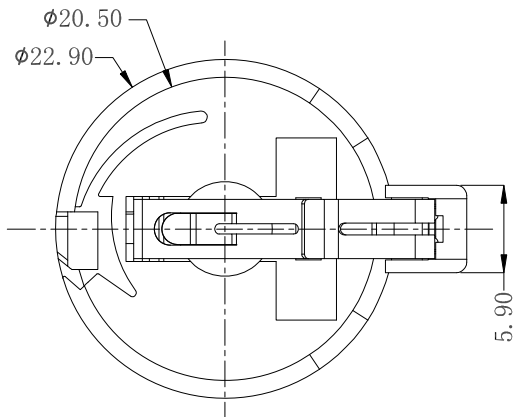
D

E

F

G

H



NOTE:

1.MATERIAL

- 1.1 Housing:PA66,UL94V-0
- 1.2 Contact: Brass,Au or Tin over Nickel

2.ELECTRIC

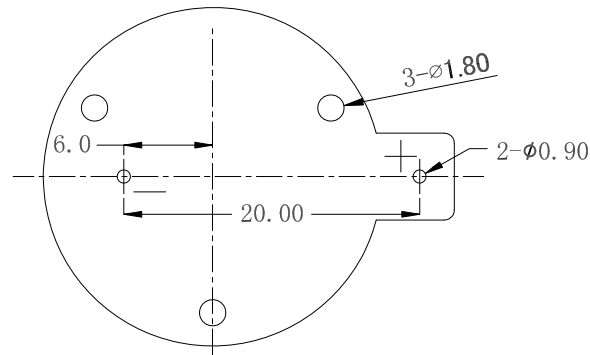
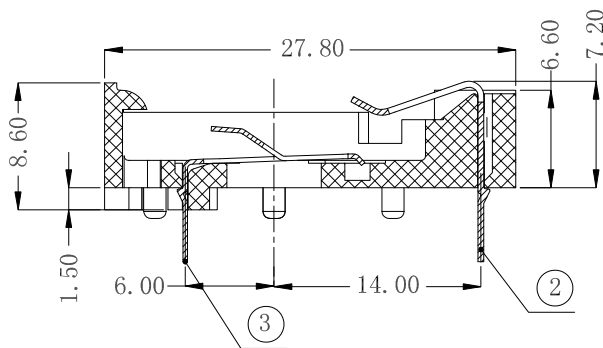
- 2.1 Contact Resistance:30 Milliohms Max.
- 2.2 Insulation Resistance:1000 Mega Ohms Min.
- 2.3 Dielectric Voltage:500V AC one Sec Level

3.Operating Temperature;-55°C To +105°C

4.Packing:Tray

Oeder Code:A-BAT-CH-C8-EA-xTP9

- G:Gold Flash
- Z:Tin



PCB LAYOUT Diagram
Top View

RoHS compliant
unit:mm

Scale	Free
TOLERANCE	
X.	±0.35
.X	±0.25
.XX	±0.20
.XXX	±0.15
DIM	TOL
Angle	TOL

Drawn	12.19.2021	Peter
ld.	modification	Date Name

Drawn	12.19.2021	Peter
Approved	12.19.2021	Peter
ASSMANN WSW components		

Description: Coin Cell Holders CR2032 Type	
ASSMANN WSW-NO. A-BAT-CH-C8-EA-xTP9	
Drawing-No. ASS 9152 CO	rev00
Customer-No.	SHEET 1 / 1

1

2

3

4

5

6

7