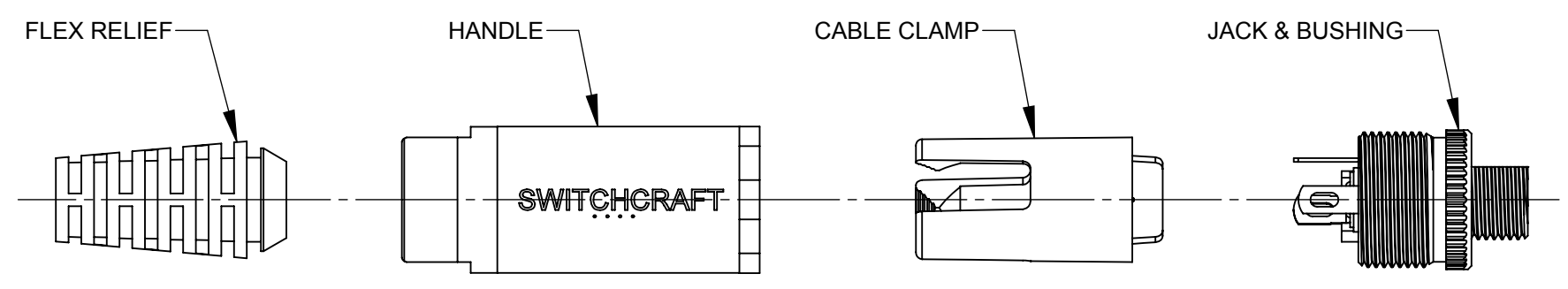
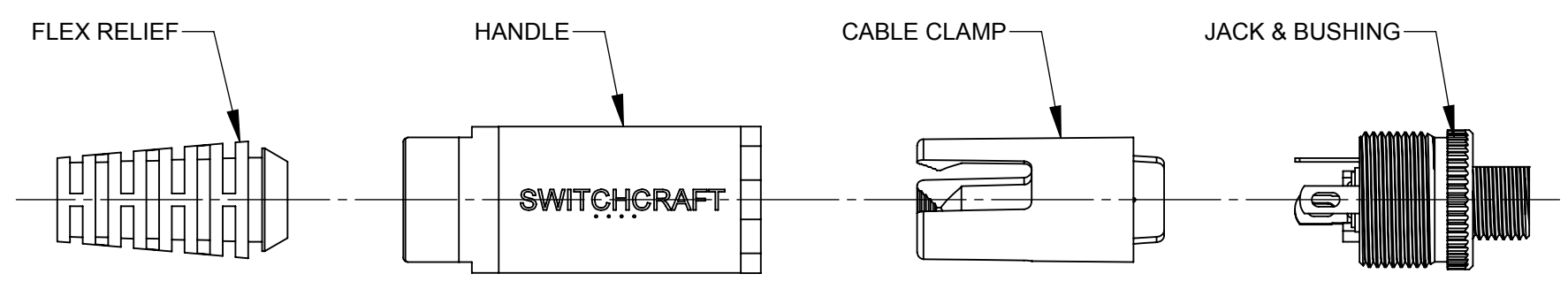
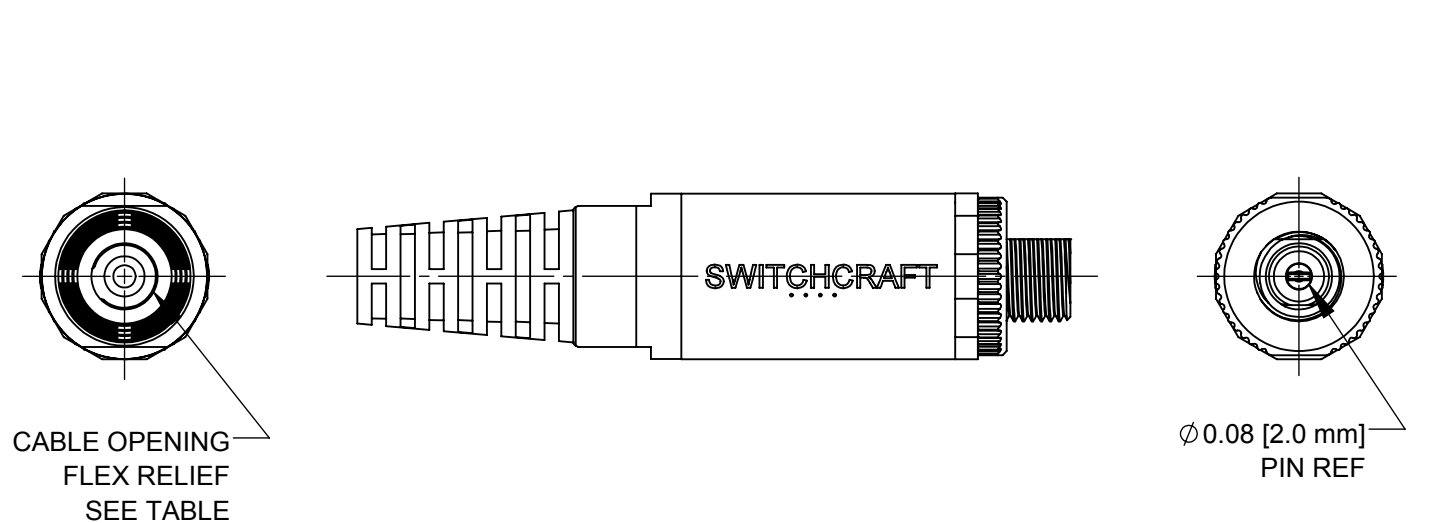
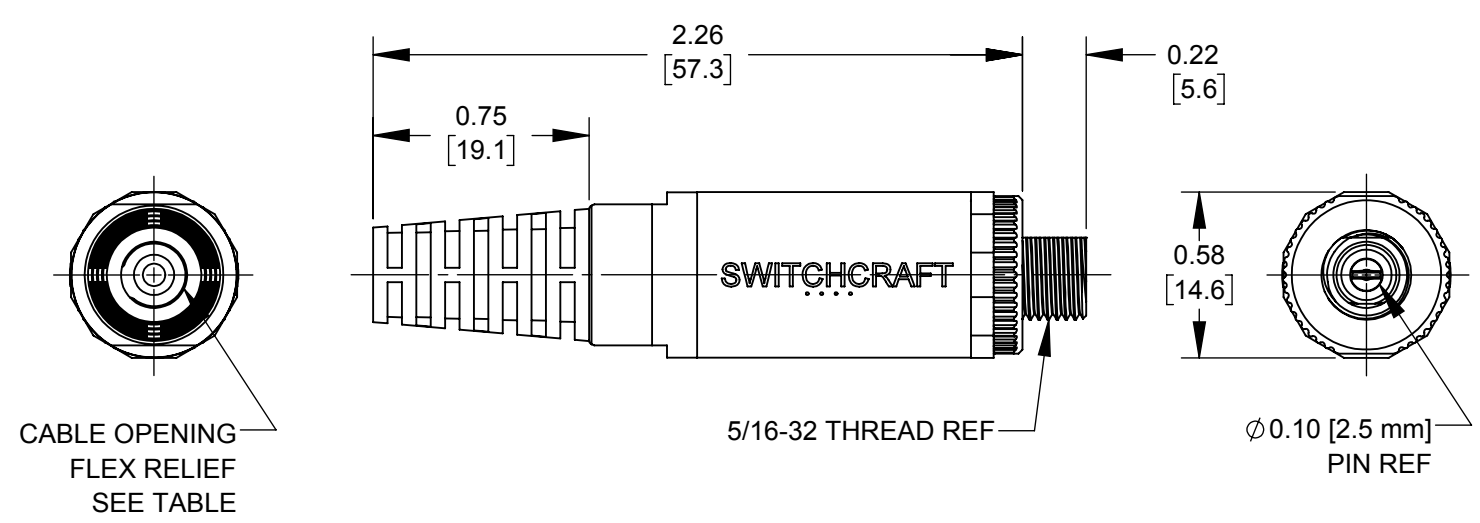


F

F



L712ACF & L712ACFL

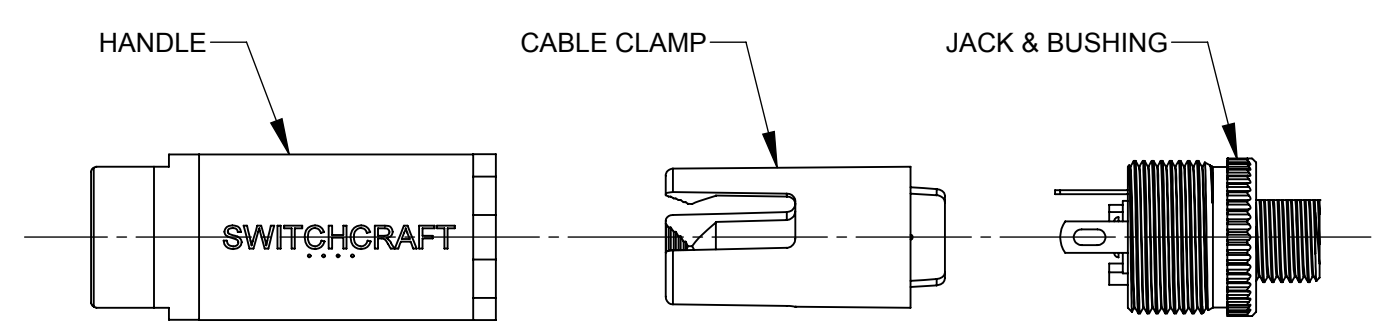
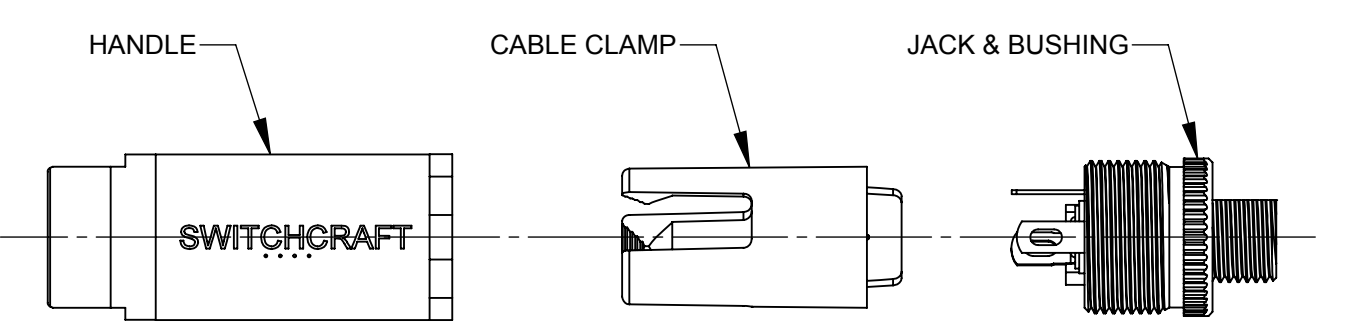
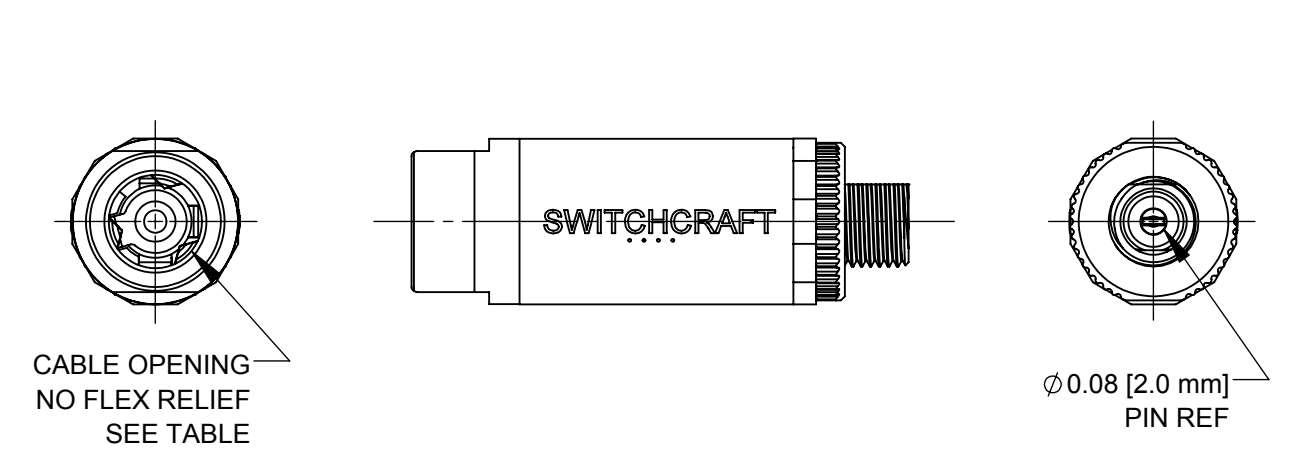
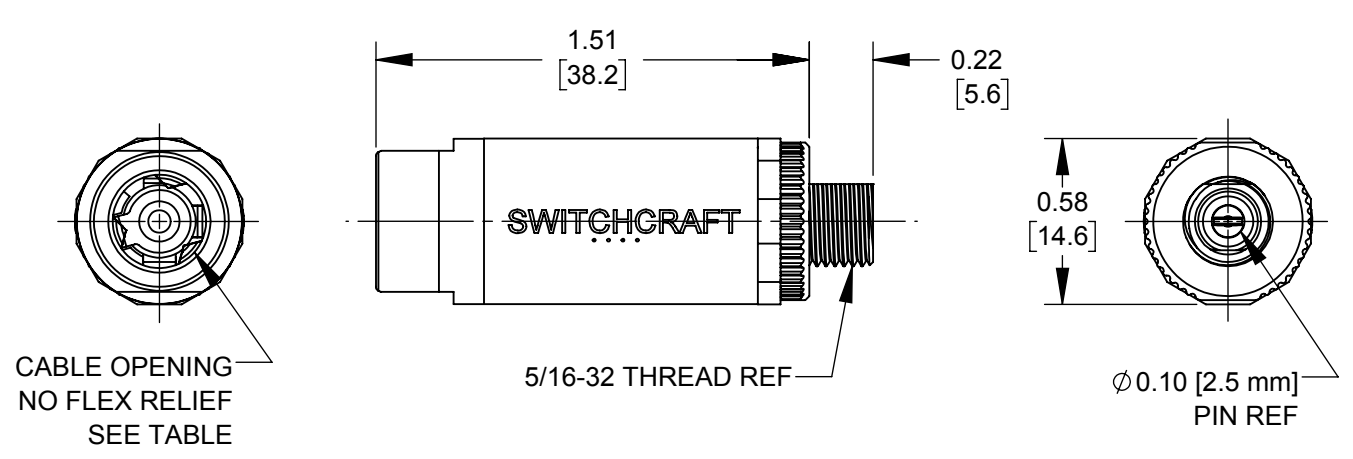
L722ACF & L722ACFL

E

E

D

D



L712AC

L722AC

C

C

B

B

NOTES:

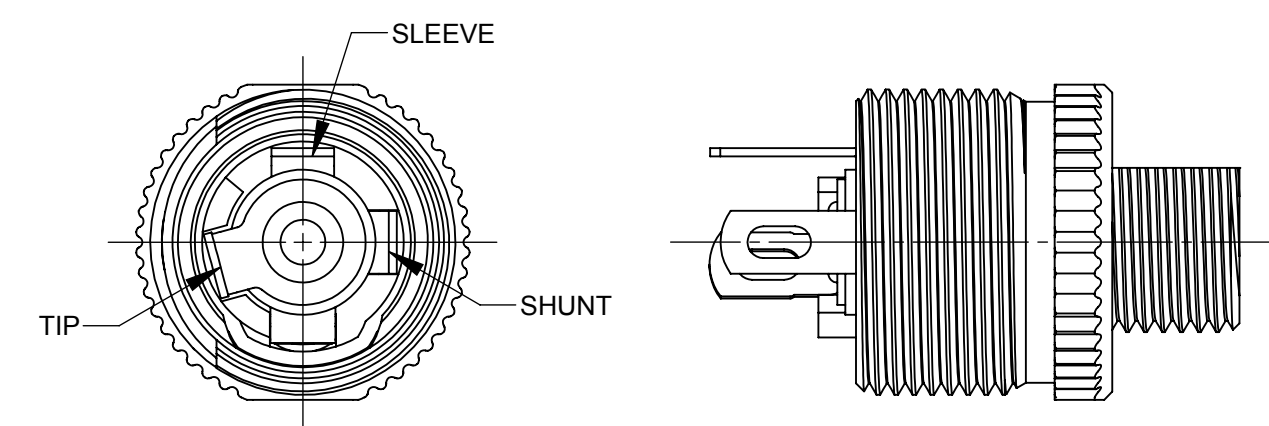
- MATERIALS:
HANDLE - THERMOPLASTIC, BLACK
CABLE CLAMP - THERMOPLASTIC, BLACK
FLEX RELIEF - THERMOPLASTIC ELASTOMER
BUSHING - THERMOPLASTIC, BLACK

POWER JACK:
HOUSING - COPPER ALLOY, NICKEL PLATED
INSULATOR HOUSING - THERMOPLASTIC, BLACK
TERMINAL INSULATORS - PHENOLIC
PIN, SPRING, TERMINALS - COPPER ALLOY, SILVER PLATED
- THESE PARTS ARE CURRENT CARRY ONLY NOT TO BE USED FOR CONNECT OR DISCONNECT UNDER LOAD.
- SHIPPED UNASSEMBLED.
- THESE PRODUCTS ARE RoHS COMPLIANT.

C

C

PART NUMBER	FLEX RELIEF	CABLE RANGE
L712AC	NONE	Ø 0.324 [8.23]
L712ACF	YES	Ø 0.190 [4.83] - Ø 0.220 [5.59]
L712ACFL	YES	Ø 0.220 [5.59] - Ø 0.250 [6.35]
L722AC	NONE	Ø 0.324 [8.23]
L722ACF	YES	Ø 0.190 [4.83] - Ø 0.220 [5.59]
L722ACFL	YES	Ø 0.220 [5.59] - Ø 0.250 [6.35]



JACK TERMINAL LAYOUT
SCALE 3:1

CUSTOMER DRAWING

UNLESS OTHERWISE SPECIFIED				THIS DRAWING DESCRIBES A DESIGN CONSIDERED PROPRIETARY IN NATURE, DEVELOPED AND MANUFACTURED BY SWITCHCRAFT INC. AND IS RELEASED ON A CONFIDENTIAL BASIS FOR IDENTIFICATION PURPOSES ONLY.					
1. ALL DIMENSIONS IN INCHES [mm]				SIZE	WIDTH	MULT	LBS/M	TEMPER	
- TWO PLACE DECIMALS ±0.02 [0.5]				FINISH SPEC No.		MATERIAL SPEC No.			
- THREE PLACE DECIMALS ±0.005 [0.13]				FIRST USED ON		SCALE 3:2			
REV	ECO NUMBER	DATE	BY	APVD	DATE DRAWN	BY	CHKD SRC	APVD TJK	
C	28009	3-14-18	PC	TJK	12-28-16	SRC	8-10-17	8-17-17	
B	ECO 27932	8-28-17	SRC	TJK					
A	ECO 27926	8-17-17	SRC	TJK					
REVISIONS				DO NOT SCALE DRAWING				NAME	CABLE POWER JACKS, RoHS
				SolidWorks CAD File				PART No.	L712AC-L722AC L712ACF-L722ACF L712ACFL-L722ACFL
								SHEET	1 OF 1
								REV	C

A

A